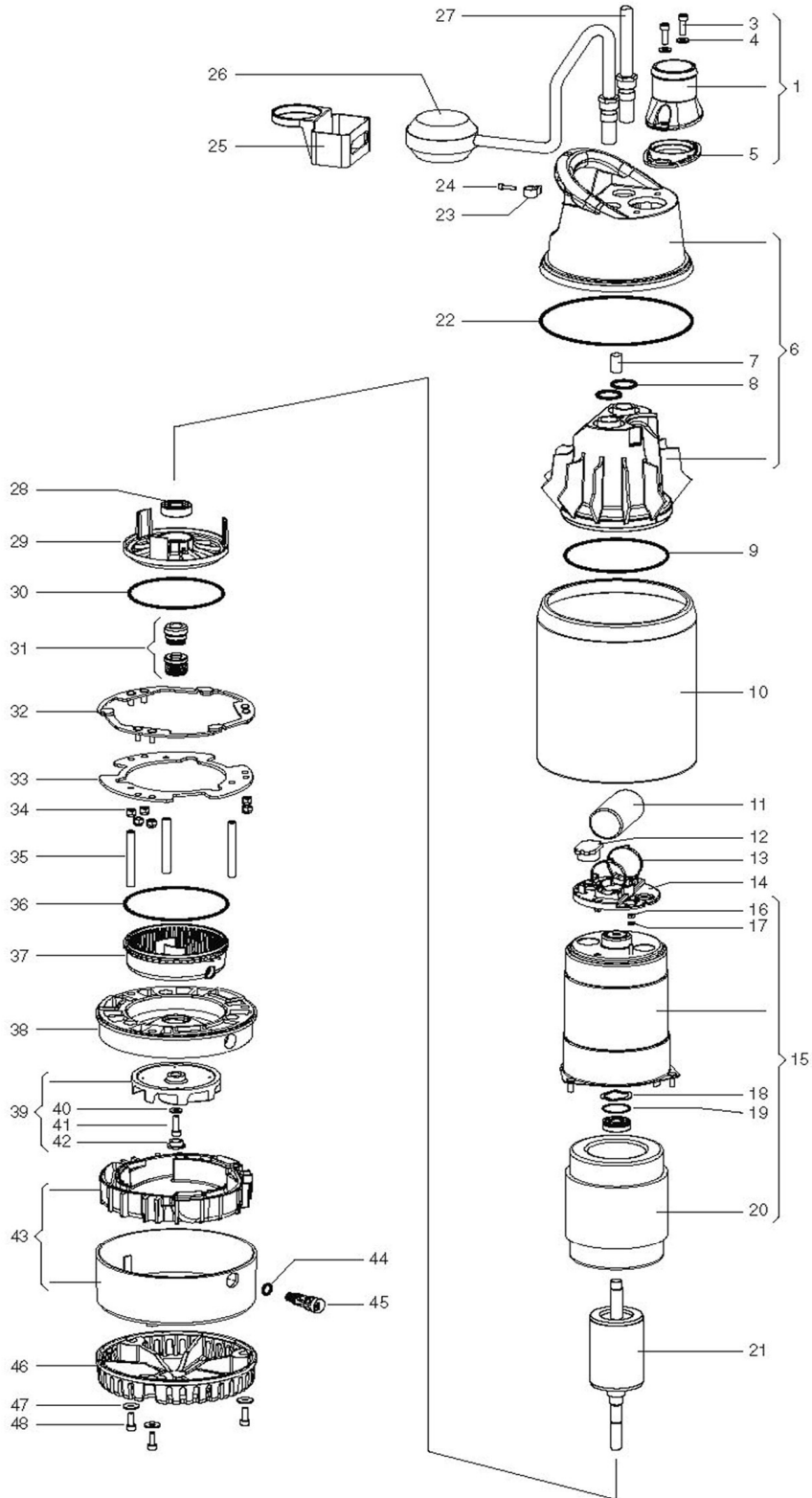




ITT

Lowara



Production date > Jan00

Spares up to Jan07

DIGGER 4 - 8

	D4	D8
1 ~, 230V, 2" -->	103043000	103043010
	103043020	103043030
1 ~, 230V, G2" -->	103043070	103043060
	103043040	103043050
1 ~, 115V, 2" -->	-	-
	103043080	-
kW ->	0,40	0,75

<- - 1 ~, 230V, 2" - SG

<- - 1 ~, 230V, G2" - SG

<- - 1 ~, 115V, 2" - SG

Note. SG = Without Float

Kit

1	Delivery port 2" (DN50)	183040260	183040260
	G2"	183040160	183040160
*	O-Rings NBR	183040200	183040200
6	Cover	183040170	183040170
	Cover with float	183040180	183040180
15	Stator housing 230V	183040280	183040120
	115V	183040270	183040290
26	Float switch	183040560	183040560
27	Motor cable 230V EU	183040230	183040230
	230V GB	183040300	183040300
	115V GB	O/R	O/R
28*	Bearings	183040330	183040330
31*	Seal, double	183040010	183040010
39*	Impeller	183040020	183040040
43	Diffuser	183040140	183040140

Gaskets	5	8	9	19
N° ->	Gasket	24.2x3.0	118.0x 3.0	26.0x1.2
N° ->	22	30	36	44
	104.5x3.0	114.5x3.0	10.3x2.4	

H07F, 3G1, 10m	
H07F, 3G1, 10m	
H07F, 3G1, 10m	Not available at stock

Incl.: Q1Q1PGG + VBPGG, Circlip, Instr.
Incl.: Imp., Screw, Washer, Plug, Instr.
Incl.: Diffuser, Screws, Washers, Instr.

Single Unit

10	Cooling sleeve	183040400	183040410
11	Capacitor 230V	183040420	183040430
	Capacitor 115V	183040190	183040440
12	Protector Klixon 230V	183040460	183040480
	Protector Klixon 115V	183040450	183040470
14	Terminal plate	183040490	183040490
21	Shaft	183040500	183040510
29	Bearing support	183040580	183040580
32	Special plate A	183040590	183040590
33	Special plate B	183040600	183040600
35	Barrel nut n.3	183040610	183040610
37	Oil chamber	183040620	183040620
38	Wear Protection	183040150	183040150
45	Inspect. screw	183040250	183040250
46	Strainer	183040130	183040130
	Cable gland	183040240	183040240

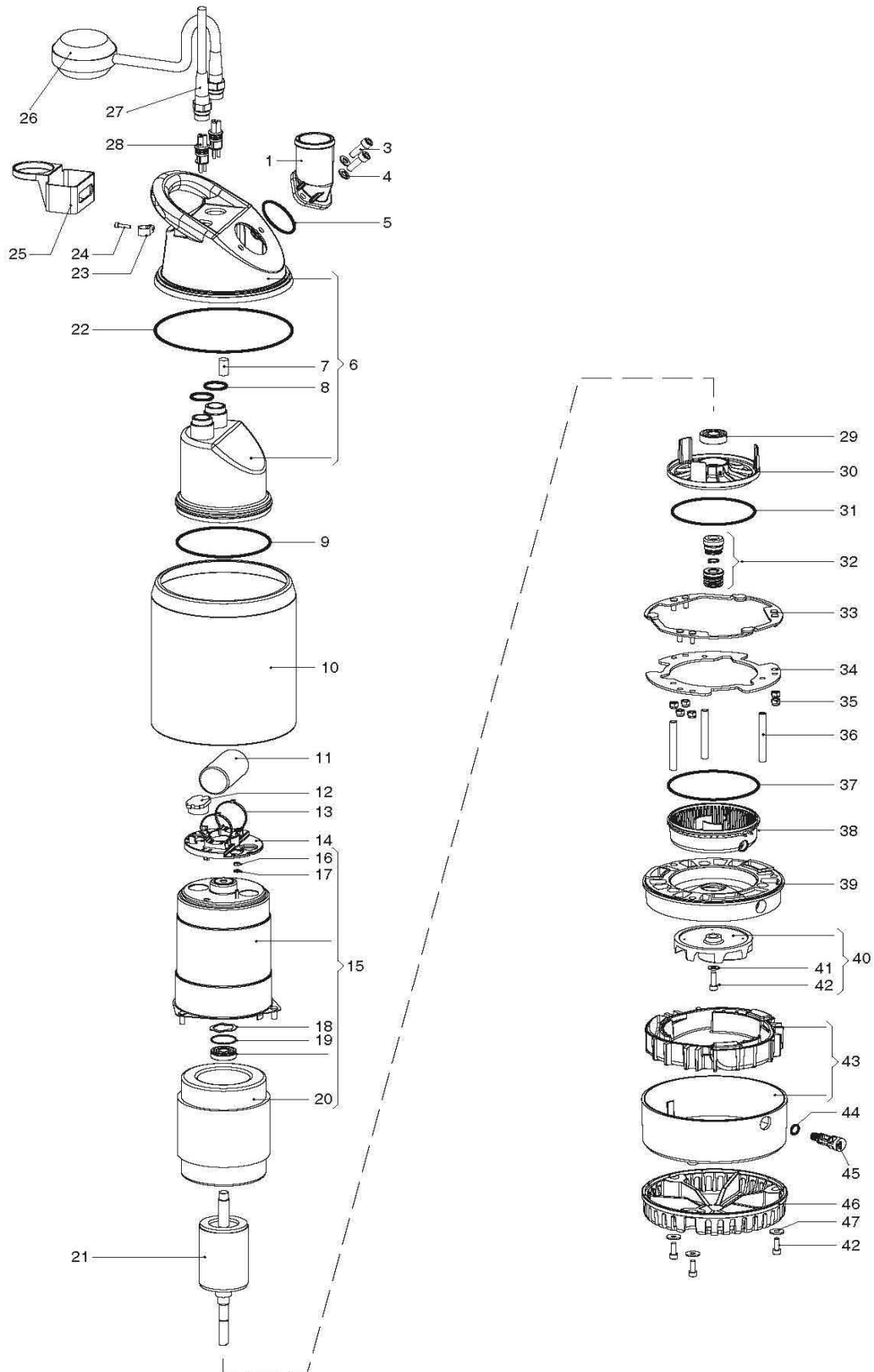
-	22UF/450V
-	35UF/275V
-	5,4 A
-	[~11,5 A]

Screws	3	4	16	34	41	48
	M6x20	Washer	M4	M6	M6x20	M6x16



ITT

Lowara



DIGGER 4/A - 8/A

	D4/A	D8/A
1 ~, 230V, 2" -->	103043100	103043110
	102220120	102220130
1 ~, 230V,G2" -->	103043160	103043170
	103043140	103043150
1 ~, 115V, 2" -->	103043200	-
	102220180	103043210
kW ->	0,40	0,75

<-- 1 ~, 230V, 2" - SG

<-- 1 ~, 230V,G2" - SG

<-- 1 ~, 115V, 2" - SG

Note. SG = Without Float

Kit

1	Delivery port	2" (DN50)	183040340	183040340
		G2"	183040350	183040350
*	O-Rings NBR		183040310	183040310
6	Cover (N/A >03/07)		183040630	183040630
	Cover with float		183040640	183040640
15	Stator housing	230V	183040370	183040390
		115V	183040360	183040380
26	Float switch		183040520	183040520
27	Motor cable	230V EU	183040530	183040530
		230V GB	183040550	183040550
		115V GB	183040540	183040540
29*	Bearings		183040330	183040330
32*	Seal, double		183040010	183040010
40*	Impeller		183040020	183040040
43	Diffuser		183040320	183040320

O-Rings				
N° -->	5	8	9	19
	52.5x3.0	24.2x3.0	116.0x 3.0	26.0x1.2
N° -->	22	31	37	44
	160.0x4.0	104.5x3.0	114.5x3.0	10.3x2.4

Cable H07F, 3G1, 10m
Cable H07F, 3G1, 10m
Cable H07F, 3G1, 10m

Incl.: Q1Q1PGG + VBPGG, Circlip, Instr.
Incl.: Imp., Screw, Washer, Plug, Instr.
Incl.: Diffusers, Screws, Washers, Instr.

Single Unit

10	Cooling sleeve		183040400	183040410
11	Capacitor	230V	183040420	183040430
	Capacitor	115V	183040190	183040440
12	Protector Klixon	230V	183040460	183040480
	Protector Klixon	115V	183040450	183040470
14	Terminal plate		183040490	183040490
21	Shaft		183040500	183040510
28	Plug contact	n.2	183040570	183040570
30	Bearing support		183040580	183040580
33	Special plate A		183040590	183040590
34	Special plate B		183040600	183040600
36	Barrel nut	n.3	183040610	183040610
38	Oil chamber		183040620	183040620
39	Wear Protection		183040150	183040150
45	Inspection screw/plug		183040250	183040250
46	Strainer		183040130	183040130
	Cable gland		183040240	183040240

14UF/450V	22UF/450V
30UF/275V	35UF/275V
2,9 A	5,4 A
-	-

Screws	3	16	35	42
	M6x20	M4	M6	M6x20