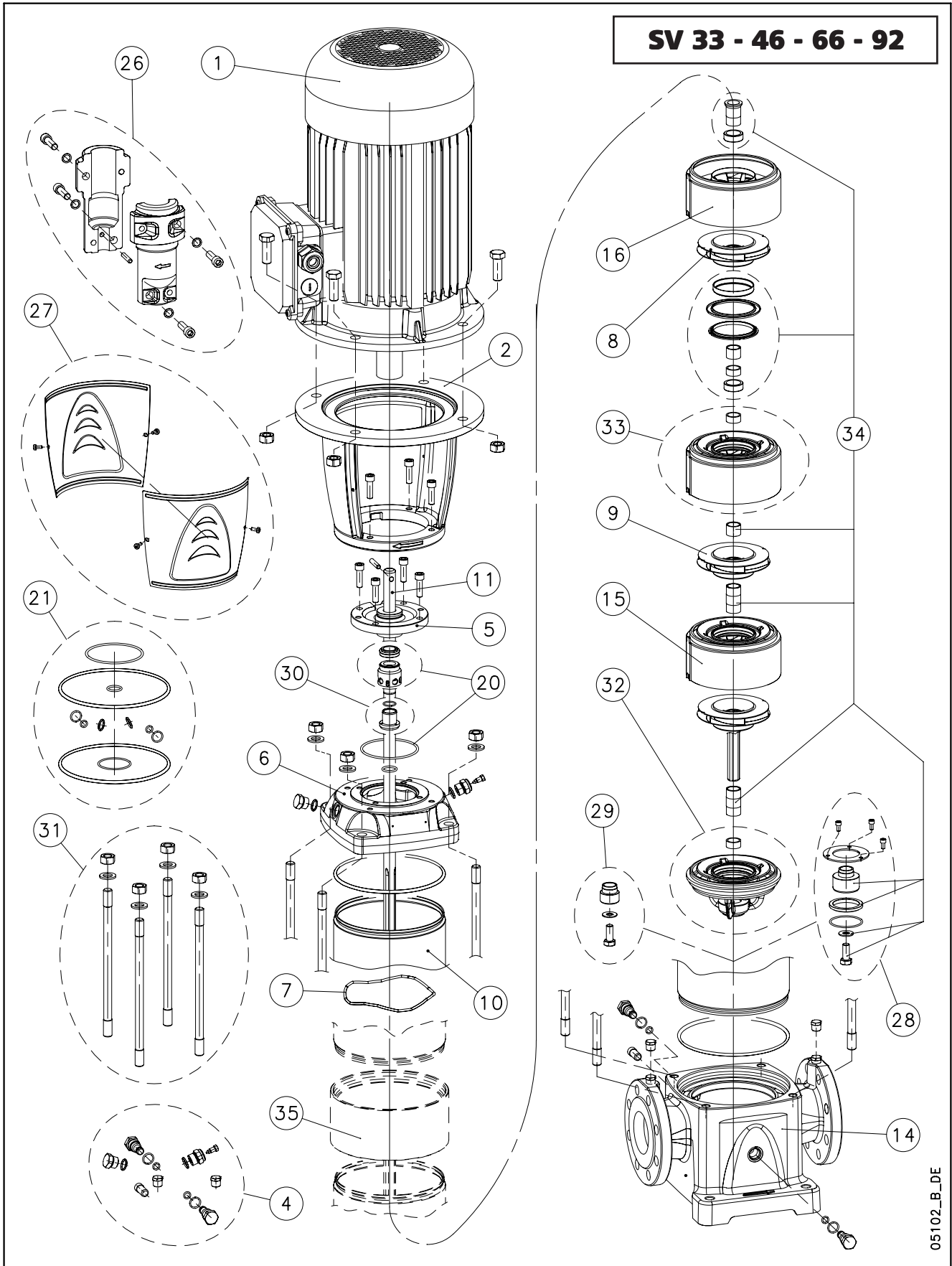




ITT

Lowara

SV 33 - 46 - 66 - 92



05102_B_DE



ITT

N.	Descrizione It	Description en	Description fr	Beschreibung de	Descripción es	Descrição pt
1	Motore	Motor	Moteur	Motor	Motor	Motor
2	Lanterna	Adaptor	Lanterne	Passfeder	Adaptador	Adaptador
4	Tappi	Plugs	Bouchons	Schrauben	Tapones	Tampões
5	Disco porta tenuta	Seal housing plate	Disque de support garniture	Dichtungsgehäusescheibe	Disco de alojamiento sello	Disco porta-vedante
6	Testata superiore	Upper head	Tête supérieure	Oberer Zylinderkopf	Cabezal superior	Cabeça superior
7	Molla	Spring	Ressort	Feder	Muelle	Mola
8	Girante ridotta	Reduced impeller	Roue réduite	Lauftrad, reduziertes	Rodete, reducido	Impulsor reduzido
9	Girante piena	Full impeller	Roue pleine	Volles Lauftrad	Rodete, completo	Impulsor completo
10	Camicia	Sleeve	Chemise	Gehäuse	Camisa	Camisa
11	Albero	Shaft	Arbre	Welle	Árbol	Veio
14	Corpo pompa	Pump body	Corps de pompe	Pumpengehäuse	Caja bomba	Corpo da bomba
15	Diffusore boccola carbone	Diffusor carbon bush	Diffusor douille carbone	Diffusor und Büchse, Kohle	Difusor casquillo carbón	Difusor bucha carvão
16	Diffusore finale	Last stage diffuser	Diffusor dernier étage	End Diffusor	Difusor final	Difusor final
20	Kit tenuta mecc. + OR	Mechanical seal + OR kit	Kit garniture méc. + joints toriques	Gleitringdichtung + OR	Kit sello mec. + junta tórica	Kit vedante mec. + OR
21	Kit guarnizioni OR	O ring kit	Kit joints toriques	O-Ring-Dichtungssatz	Kit juntas tóricas	Kit guarnições OR
26	Kit coppia di semigiunti	Pair of half coupling kit	Kit paire de demi-manchons	Kupplungssatz	Kit par de semijuntas	Kit par de semi-juntas
27	Kit protezione giunto	Coupling guard kit	Kit protection manchon	Satz Kupplungsschutz	Kit protección junta	Kit protecção junta
28	Kit tamburo reggispinta	Thrust drum kit	Kit tambour butée	Satz Drucklagerscheibe	Kit tambor de empuje	Kit tambor de impulso
29	Kit bloccaggio giranti	Impeller locking kit	Kit blocage roues	Lauftraderblockierungssatz	Kit bloqueo rodetes	Kit bloqueio impulsores
30	Kit bussola tenuta	Bush seal kit	Kit douille garniture	Satz Buschdichtung	Kit casquillo sello	kit bucha vedante
31	Kit tiranti	Tie rods kit	Kit tirants	Zugstangensatz	Kit tirantes	Kit tirantes
32	Kit supporto boccola Widia	Support tungsten bush kit	Kit support douille Widia	Satz Widia Halterung	Kit soporte casquillo Widia	Kit suporte com tungstênio bucha
33	Kit diffusore boccola Widia	Diffusor tungsten bush kit	Kit diffusor douille Widia	Satz Diffusor mit Widia Büchse	Kit difusor casquillo Widia	Kit difusor com tungstênio bucha
34	Kit parti di usura	Wear parts kit	Kit parties d'usure	Bausatz Verschleißteile	Kit piezas de desgaste	Kit peças desgastáveis
35	Anello per camicie	Sleeve ring	Anneau pour chemises	Ring für Laufbuchsen	Anillo para camisas	Anel para camisas
N.	Beschrijving nl	Περιγραφή el	Açıklama tr	Kuvaus fi	Описание ru	Опис pl
1	Motor	Πλήρης κινητήρας	Motor	Moottori	Двигатель	Silnik
2	Lantaarnstuk	Μπρακέτο	Adaptör	Sovitin	Крестовина	Piasta
4	Pluggen	Σετ ταπών	Tapalar	Tulpat	Пробки	Zatyczki
5	Dichtingssteunplaat	Δίσκος μηχανικού στυπιοθλίπτη	Sızdırmazlık elemanı diskı	Tiivisteen kannatuslevy	Пластина держателя прокладки	Tarcza uszczelki
6	Bovenste kop	Κεφαλή αντλίας	Üst kafa	Yläkansi	Верхняя головка	Głowica górna
7	Veer	Έλασμα	Yay	Jousi	Пружина	Sprężyna
8	Waaier met verkleinde diameter	Πτερύγιο μειωμένης διαμέτρου	Küçük boylu pompa rotoru	Pieni juoksupyörä	Уменьшенное рабочее колесо	Wirnik niepełny
9	Volle waaier	Πτερύγιο πλήρους διαμέτρου	Tam boylu pompa rotoru	Täydellinen juoksupyörä	Полное рабочее колесо	Wirnik pełny
10	Mantel	Κέλυφος	Gömek	Muhvi	Муфта	Plaszcz
11	As	Άξονας	Mil	Akseli	Вал	Wał
14	Pomphuis	Σώμα αντλίας	Pompa gövdesi	Pumpun runko	Корпус насоса	Korpus pompy
15	Diffusor koollager	Πτερύγιο εκτροπής με κουζινέτο	Karbon burçlu difüzör	Diffusori ja hiiliholkki	Диффузор втулки угля	Dyfuzor tulejki węgla
16	Diffusor laatste trap	Τελευταίο πτερύγιο εκτροπής	Son difüzör	Loppuvaiheen diffusori	Конечный диффузор	Dyfuzor końcowy
20	Set mech. asafdichting + O-ring	Μηχανικός στυπιοθλίπτης και ροδέλες στεγανοποίησης	Mekanik salmastra kiti + O-Ring	Mek. tiiviste + O-rengassarja	Комплект мех.прокладки + OR	Zestaw uszcz.mech. + OR
21	Set O-ringafdichtingen	Σετ ροδέλες στεγανοποίησης	O-Ring kiti	O-rengassarja	Комплект кольцевых прокладок OR	Zestaw uszczelki OR
26	Set koppelingshelften	Σετ σταθερού συνδέσμου	Çift yarım manşon kiti	Liitinsarja	Комплект пары полумуфт	Zestaw pary półzłączy
27	Set koppelingsbescherming	Καλύμματα προστασίας σταθερού συνδέσμου	Manşon koruma kiti	Liitoksen suojussarja	Комплект защиты муфт	Zestaw ochrony złączy
28	Set druklagertrommel	Σετ ωστικού εμβόλου	Basınç yatağı tambur kiti	Rumpusarja	Комплект упорного барабана	Testaw bębna łożyska oporowego
29	Set waaierblokkeringen	Σετ ασφάλισης πτερυγίων	Pompa rotorlarını sabitleme kiti	Juoksupyörien kiinnitysarja	Комплект блокировки раб. колес	Zestaw blokujący wirniki
30	Set afdichtingsbus	Σετ κουζινέτου μηχανικού στυπιοθλίπτη	Sızdırmazlık elemanı burcu kiti	Holkki ja tiiviste	Комплект втулки уплотнения	Zestaw busoli uszczel.
31	Set trekstangen	Σετ ράβδων σύνδεσης	Gergi çubuğu kiti	Vetotankosarja	Комплект тяг	Zestaw napinaczy
32	Set Widia steunbus	Σετ κάτω κουζινέτου	Tungsten burç mesnedi kiti	Kannatin ja kovametalliholkki	Комплект опоры втулки Widia	Zestaw wspornika tulejki Wolfram
33	Set Widia diffusorbus	Σετ πτερυγίου εκτροπής με κουζινέτο και δακτύλιο τριβής	Tungsten burçlu difüzör kiti	Diffusori ja kovametalliholkki	Комплект диффузора втулки Widia	Zestaw dyfuzora tulejki Wolfram
34	Set slijtonderdelen	Σετ δακτυλίων τριβής	Aşınma parçaları kiti	Kulumisiosien sarja	Комплект изнашиваемых частей	Zestaw części podł. zużyciu
35	Ring voor mantels	Σύνδεσμος κελύφων	Gömek halkası	Muhvirengas	Кольцо муфты	Pierścień do płaszczy



ITT

Lowara

Production date > Mar04

SV33N 2 Pole

ELP 2 P, 3 ~										
N - Version 3 ~ >	SV3301/1N	SV3301N	SV3302/2N	SV3302/1N	SV3302N	SV3303/2N	SV3303/1N	SV3303N	SV3304/2N	SV3304/1N
	102700014	102700024	102700034	102700044	102700054	102700064	102700074	102700084	102700094	102700104
	SV3304N	SV3305/2N	SV3305/1N	SV3305N	SV3306/2	SV3306/1N	SV3306N	SV3307/2N	SV3307/1N	SV3307N
	102700114	102700124	102700134	102700144	102700154	102700164	102700174	102700184	102700194	102700204
3 ~ >	SV3308/2N	SV3308/1N	SV3308N	SV3309/2N	SV3309/1N	SV3309N	SV3310/2N	SV3310/1N	SV3310N	SV3311/2N
	102700214	102700224	102700234	102700244	102700254	102700264	102700274	102700284	102700294	102700304
3 ~ >	SV3311/1N	SV3311N	SV3312/2N	SV3312/1N	SV3312N	SV3313/2N	SV3313/1N			
	102700314	102700324	102700334	102700344	102700354	102700364	102700374			
Motor power kW >	2,2	3,0	4,0	4,0	5,5	5,5	7,5	7,5	11,0	
	11,0	11,0	11,0	15,0	15,0	15,0	15,0	15,0	18,5	18,5
	18,5	18,5	22,0	22,0	22,0	22,0	22,0	30,0	30,0	30,0
	30,0	30,0	30,0	30,0	30,0	30,0	30,0			
Stages number	1	1	2	2	2	3	3	3	4	4
	4	5	5	5	6	6	6	7	7	7
	8	8	8	9	9	9	10	10	10	11
	11	11	12	12	12	13	13			

Single Unit and Kit

Stages >		1	2	3	4	5	6	7	8	9	10
10	Sleeve PN25	166441880	166441890	166441900	166441910	166441920	166441930	166441940	166441950	166441960	166441970
	Sleeve PN40	156408600	156408610	156408620	156408630	156408640	156408650	156408660	156408670	156408680	156408690
	KL13AAA	KL13AAB	KL13AAC	< Double Sleeve Kit Without Sleeve Ring							
11	Shaft	165045620	165045630	165045640	165045650	165045660	165045670	165045680	165045690	165045700	165045710
		165045720	165045730	165045740							
31	Tie rods SVN Kit	KL22AAS	KL22AAT	KL22AAU	KL22AAV	KL22AAW	KL22AAX	KL22AAY	KL22AAZ	KL22AA0	KL22AA1
	AISI 431	KL22AA2	KL22AA3	KL22AA4							

Mech seal Kit

Materials ->		Q1BEGG	Q1Q1EGG	Q1BVGG	Q1Q1VGG	Q1CTGG	Q1Q1TGG			
*20	Mech seal + seal housing OR	KL01AC0	KL01AC1	KL01AC2	KL01AC3	KL01AC5	KL01AC6	Single Seal D:22 : All Versions		

Wear parts, pump body axial piston, impeller halt

		-> SV3304	-> SV3306/2	-> SV3309	-> SV3313
		1 bearing no piston	2 bearing no piston	2 bearing piston	3 bearing piston
* 34	Wear Parts Kit	KL35AA9	KL35ABA	KL35ABB	KL35ABD
14	Pump body	PN16	151302000	151302000	-
		PN25-40	-	-	151302020
28	Piston	EPR	-	KL41AAA	KL41AAA
		FPM	-	KL41AAD	KL41AAD
		FEP	-	KL41AAS	KL41AAS
29	Impeller locking	KL41AAG	KL41AAG	-	-

Common, Single Unit and Kit

4	Plugs	EPR	KL34AAF	
		FPM	KL34AAG	
		FEP	KL34AAH	
5	Seal housing	160102850		
6	Upper head	161440020		
7	Spring	169100190		
8	Reduced impeller	150702820		
9	Full impeller	150702840		
15	Diffuser carbon bush	152801800		
16	Final diffuser	152801730		
*21	OR	EPR	KL02AAA	All Pumps
		FPM	KL02AAD	
	OR	FEP	KL02AA7	Single Sleeve With Elastomers for All Size Piston Pumps
		FPM	KL02AAE	
OR	FEP	KL02AA8	Double Sleeve With Elastomers for All Size Piston Pumps	
30	Bush seal	KL41AAH		
32	Support tungsten bush SVN	KL16AAE		
*33	Diffuser tungsten bush	KL05AC6		
35	Sleeve ring	168601900		

For example. SV3303/2 = 3 Stages = 3 Impellers: 2 Imp. Reduced, 1 Imp. Full

Motor, Coupling, Adaptor

**1	kW >	2,2	3,0	4,0	5,5	7,5	11,0	15,0	18,5	22,0	30,0
	Motor 2P, 3 ~ >	107230220	107106255	107106329	107106337	107106347	107106397	107106421	107106431	107106447	130643901
2	Adaptor	161453600	161453620	161453620	161453640	161453640	161453660	161453660	161453660	161453660	161453680
26	Coupling	KL10AAA	KL10AAB	KL10AAB	KL10AAC	KL10AAC	KL10AAD	KL10AAD	KL10AAD	KL10AAE	KL10AAF
27	Coupling guard	KL33AAA	KL33AAA	KL33AAA	KL33AAB	KL33AAB	KL33AAC	KL33AAC	KL33AAC	KL33AAC	KL33AAC



ITT

Lowara

SV33N 4 Pole

Production date > Mar04

ELP 4 P, 3 ~										
N - Version	SV3303/2N4	SV3304/1N4	SV3305N4	SV3306N4	SV3307N4	SV3308N4	SV3309N4	SV3310N4	SV3311N4	SV3312N4
3 ~ >	102700564	102700604	102700644	102700674	102700704	102700734	102700764	102700794	102700824	102700854
	SV3313N4									
3 ~ >	102700884									
Motor power kW >	1,1	1,1	1,5	2,2	2,2	3,0	3,0	3,0	4,0	4,0
Stages number	3	4	5	6	7	8	9	10	11	12
	13									

Single Unit and Kit

10	Stages >	3	4	5	6	7	8	9	10	11	12
		13									
	Sleeve PN25	166441900	166441910	166441920	166441930	166441940	166441950	166441960	166441970	KL13AAD	KL13AAE
		KL13AAF	< Double Sleeve Kit Without Sleeve Ring								
	Sleeve PN40	156408620	156408630	156408640	156408650	156408660	156408670	156408680	156408690	KL13AAA	KL13AAB
		KL13AAC	< Double Sleeve Kit Without Sleeve Ring								
		165045640	165045650	165045660	165045670	165045680	165045690	165045700	165045710	165045720	165045730
		165045740									
31	Tie rods SVN Kit	KL22AAU	KL22AAV	KL22AAW	KL22AAX	KL22AAY	KL22AAZ	KL22AA0	KL22AA1	KL22AA2	KL22AA3
		KL22AA4									

Wear parts, pump body impeller halt

	- > SV3304	- > SV3309	- > SV3313
	1 bearing no piston	2 bearing no piston	3 bearing no piston
* 34	Wear Parts Kit	KL35AA9	KL35ABB
14	Pump body PN16	151302000	151302000
29	Impeller locking	KL41AAG	KL41AAG

Common, Single Unit and Kit

4	Plugs	EPR	KL34AAF		
		FPM	KL34AAG		
		FEP	KL34AAH		
5	Seal housing		160102850		
6	Upper head		161440020		
7	Spring		169100190		
8	Rreduced impeller		150702820		
9	Full impeller		150702840	For example. SV3303/2 = 3 Stages = 3 Impellers: 2 Imp. Reduced, 1 Imp. Full	
15	Diffuser carbon bush		152801800		
16	Final diffuser		152801730		
*21	OR	EPR	KL02AAA	All Pumps	
		FPM	KL02AAD		
	OR	FEP	KL02AA7	Single Sleeve Pumps	With Elastomers for All Size Piston pumps
		FPM	KL02AAE		
	OR	FEP	KL02AA8	Double Sleeve Pumps	With Elastomers for All Size Piston pumps
30	Bush seal		KL41AAH		
32	Support tungsten bush SVN		KL16AAE		
*33	Diffuser tungsten bush		KL05AC6	From SV3304, included	
35	Sleeve ring		168601900	For 12-13 Stages Double Sleeve Pumps	

Motor, Coupling, Adaptor

	kW >	1,1	1,5	2,2	3,0	4,0
**1	Motor 4P, 3 ~ ->	107106613	107106623	107106653	107106663	107106683
2	Adaptor	161453600	161453600	161453620	161453620	161453620
26	Coupling	KL10AAA	KL10AAA	KL10AAB	KL10AAB	KL10AAB
27	Coupling guard	KL33AAA	KL33AAA	KL33AAB	KL33AAB	KL33AAB

Pump stack, EPR

Stages >	1	2	3	4	5	6	7	8	9	10
	11	12	13	Articles To Be Defined at February 2007						

- * Recommended spares
- * Motor spares: see motor lists



ITT

Lowara

SV46N 2 Pole

Production date > Mar04

ELP 2 P, 3 ~										
N - Version 3 ~ >	SV4601/1N	SV4601N	SV4602/2N	SV4602N	SV4603/2N	SV4603N	SV4604/2N	SV4604N	SV4605/2N	SV4605N
	102702014	102702024	102702034	102702044	102702054	102702064	102702074	102702084	102702101	102702111
	SV4606/2N	SV4606N	SV4607/2N	SV4607N	SV4608/2N	SV4608N	SV4609/2N	SV4609N	SV4610/2N	SV4610N
3 ~ >	102702114	102702124	102702134	102702144	102702154	102702164	102702174	102702184	102702194	102702204
	SV4611/2N	SV4611N	SV4612/2N	SV4612N	SV4613/2N					
Motor power kW >	3.0	4.0	5.5	7.5	11.0	11.0	15.0	15.0	18.5	18.5
	22.0	22.0	30.0	30.0	30.0	30.0	30.0	37.0	37.0	37.0
	45.0	45.0	45.0	45.0	45.0					
Stages number	1	1	2	2	3	3	4	4	5	5
	6	6	7	7	8	8	9	9	10	10
	11	11	12	12	13					

Single Unit and Kit

10	Stages >	1	2	3	4	5	6	7	8	9	10
		11	12	13							
	Sleeve , PN25	166441880	166441890	166441900	166441910	166441920	166441930	166441940	166441950	166441960	-
		-	-	-							
	Sleeve , PN40	156408600	156408610	156408620	156408630	156408640	156408650	156408660	156408670	156408680	156408690
		KL13AAA	KL13AAB	KL13AAC	< Double Sleeve Without Sleeve Ring						
11	Shaft	165045620	165045630	165045640	165045650	165045660	165045670	165045680	165045690	165045700	165045710
		165045720	165045730	165045740							
31	Tie rods SVN Kit	KL22AAS	KL22AAT	KL22AAU	KL22AAV	KL22AAW	KL22AAX	KL22AAY	KL22AAZ	KL22AA0	KL22AA1
		KL22AA2	KL22AA3	KL22AA4							

Mechanical seal kit

*20	Mechanical seal + housing OR	Materials ->	Q1BEGG	Q1Q1EGG	Q1BVGG	Q1Q1VGG	Q1CTGG	Q1Q1TGG	Single Seal D:22 : All Versions		
			KL01AC0	KL01AC1	KL01AC2	KL01AC3	KL01AC5	KL01AC6			

Wear parts, pump body piston, impeller halt

		->SV4604/2	->SV4609	->SV4613/2
		1 bearing no piston	2 bearing piston	3 bearing piston
*34	Wear Parts Kit	KL35ABE	KL35ABG	KL35ABK
14	Pump body	PN16	151302040	-
		PN25-40	-	151302060
	Piston	EPR	KL41AAB	KL41AAB
		FPM	KL41AAE	KL41AAE
28		FEP	KL41AAT	KL41AAT
29	Impeller locking	KL41AAG	-	-

Common, Single Unit and Kit

4	Plugs	EPR	KL34AAF	
		FPM	KL34AAG	
		FEP	KL34AAH	
5	Seal housing		160102850	
6	Upper head		161440020	
7	Spring		169100190	
8	Reduced impeller		150702830	
9	Full impeller		150702750	Example. SV4603/2 = 3 Stages = 3 Impellers: 2 Imp. Reduced, 1 Imp. Full
15	Diffuser carbon bush		152801810	
16	Final diffuser		152801730	
	OR	EPR	KL02AAA	All Pumps
	OR	FPM	KL02AAD	
	OR	FEP	KL02AA7	Single sleeve
		FPM	KL02AAE	With Elastomers for All Size Piston Pumps
*21		FEP	KL02AA8	Double sleeve
				With Elastomers for All Size Piston Pumps
30	Bush seal		KL41AAH	
32	Support tungsten bush SVN		KL16AAF	
*33	Diffuser tungsten bush		KL05AC7	From SV4605, included
35	Sleeve ring		168601900	For 11-12-13 Stages Double Sleeve Pumps

Motor, Single Unit and Kit

**1	Motor power >	3.0	4.0	5.5	7.5	11.0	15.0	18.5	22.0	30.0	37.0
	kW >	45.0									
	Motor 2P, 3~>	107106255	107106329	107106337	107106347	107106397	107106421	107106431	107106447	130643901	130643911
		130643921									
2	Adaptor	161453620	161453620	161453640	161453640	161453660	161453660	161453660	161453660	161453680	161453680
		161453700									
26	Coupling	KL10AAB	KL10AAB	KL10AAC	KL10AAC	KL10AAD	KL10AAD	KL10AAD	KL10AAE	KL10AAF	KL10AAF
		KL10AAF									
27	Coupling guard	KL33AAA	KL33AAA	KL33AAB	KL33AAB	KL33AAC	KL33AAC	KL33AAC	KL33AAC	KL33AAC	KL33AAC
		KL33AAC									



ITT

Lowara

Production date > Mar04

SV46N 4 Pole

ELP 4 P, 3 ~										
N - Version	SV4602N4	SV4603N4	SV4604N4	SV4605N4	SV4606N4	SV4607N4	SV4608N4	SV4609N4	SV4610N4	SV4611N4
3 ~>	102702544	102702564	102702584	102702604	102702624	102702644	102702664	102702684	102702704	102702724
	SV4612N4									
3 ~>	102702744									
Motor power kW >	1,1	1,5	2,2	2,2	3,0	3,0	4,0	4,0	5,5	5,5
	5,5									
Stages number >	2	3	4	5	6	7	8	9	10	11
	12									

Single Unit and Kit

10	Stages >	2	3	4	5	6	7	8	9	10	11
		12									
	Sleeve , PN25	166441890	166441900	166441910	166441920	166441930	166441940	166441950	166441960	166441970	KL13AAD
		KL13AAE	< Double Sleeve Kit Without Sleeve ring								
	Sleeve , PN40	156408610	156408620	156408630	156408640	156408650	156408660	156408670	156408680	156408690	KL13AAA
		KL13AAB	< Double Sleeve Kit Without Sleeve ring								
11	Shaft	165045630	165045640	165045650	165045660	165045670	165045680	165045690	165045700	165045710	165045720
		165045730									
31	Tie rods SVN Kit	KL22AAT	KL22AAU	KL22AAV	KL22AAW	KL22AAX	KL22AAY	KL22AAZ	KL22AA0	KL22AA1	KL22AA2
		KL22AA3									

Wear parts, pump body impeller halt

	->SV4604	->SV4609	->SV4612	
	1 bearing no piston	2 bearing no piston	3 bearing no piston	
*34	Wear Parts Kit	KL35ABE	KL35ABF	KL35ABH
14	Pump body PN16	151302060	151302060	151302060
29	Impeller locking	KL41AAG	KL41AAG	KL41AAG

Common, Single Unit and Kit

4	Plugs	EPR	KL34AAF	
		FPM	KL34AAG	
		FEP	KL34AAH	
5	Seal housing		160102850	
6	Upper head		161440020	
7	Spring		169100190	
8	Reduced impeller		150702830	
9	Full impeller		150702750	
15	Diffuser carbon bush		152801810	
16	Final diffuser		152801730	
	OR	EPR	KL02AAA	All Pumps
	OR	FPM	KL02AAD	
		FEP	KL02AA7	Single Sleeve pump With Elastomers for All Size Piston Pumps
	OR	FPM	KL02AAE	
*21		FEP	KL02AA8	Double sleeve pump With Elastomers for All Size Piston Pumps
30	Bush seal		KL41AAH	
32	Support tungsten bush SVN		KL16AAF	
*33	Diffuser tungsten bush		KL05AC7	From SV4605, included
35	Sleeve ring		168601900	For 11-12 Stages Double Sleeve Pumps

Motor, Single Unit and Kit

**1	Mot. power, kW	1,1	1,5	2,2	3,0	4,0	5,5
	Motor 2P ->	107106613	107106623	107106653	107106663	107106683	107106711
2	Adaptor	161453600	161453600	161453620	161453620	161453620	161453640
26	Coupling	KL10AAA	KL10AAB	KL10AAB	KL10AAC	KL10AAC	KL10AAC
27	Coupling guard	KL33AAA	KL33AAB	KL33AAB	KL33AAC	KL33AAC	KL33AAC

Pump stack, EPR

Stages >	1	2	3	4	5	6	7	8	9	10
	11	12	13	Articles to be Defined at February 2007						

- * Recommended spares
- * Motor spares: see motor lists



ITT

Lowara

Production date > Mar04

SV66N 2 Pole

ELP 2 P, 3 ~										
N - Version 3 ~>	SV6601/1N	SV6601N	SV6602/2N	SV6602/1N	SV6602N	SV6603/2N	SV6603/1N	SV6603N	SV6604/2N	SV6604/1N
	102704014	102704024	102704034	102704044	102704054	102704064	102704074	102704084	102704094	102704104
	SV6604N	SV6605/2N	SV6605/1N	SV6605N	SV6606/2N	SV6606/1N	SV6606N	SV6607/2N	SV6607/1N	SV6607N
3 ~>	102704114	102704124	102704134	102704144	102704154	102704164	102704174	102704184	102704194	102704204
3 ~>	SV6608/2N	SV6608/1N	SV6608N							
	102704214	102704224	102704234							
Motor power kW >	4.0	5.5	7.5	11.0	11.0	15.0	15.0	18.5	18.5	22.0
	22.0	30.0	30.0	30.0	30.0	30.0	37.0	37.0	37.0	45.0
	45.0	45.0	45.0							
Stages number	1	1	2	2	2	3	3	3	4	4
	4	5	5	5	6	6	6	7	7	7
	8	8	8							

Single Unit and Kit

10	Stages >	1	2	3	4	5	6	7	8
	Sleeve PN25	166442080	166442090	166442100	166442110	166442120	166442130	166442140	166442150
	Sleeve PN25	156408750	156408760	156408770	156408780	156408790	156408800	156408810	156408820
11	Shaft	165045780	165045790	165045800	165045810	165045820	165045830	165045840	165045850
31	Tie rods SVN Kit	KL22ABC	KL22ABD	KL22ABE	KL22ABF	KL22AAX	KL22ABG	KL22ABH	KL22ABK

Mechanical seal Kit

*20	Materials ->	Q1BEGG	Q1Q1EGG	Q1BVGG	Q1Q1VGG	Q1CTGG	Q1Q1TGG		
	Mechanical seal + housing OR	KL01AC0	KL01AC1	KL01AC2	KL01AC3	KL01AC5	KL01AC6	Single Seal D:22 : All Versions	

Wear parts, pump body piston, impeller halt

		-> SV6603	-> SV6606	-> SV6608
		1 bearing no piston	2 bearing piston	3 bearing piston
*34	Wear Parts kit	KL35ABL	KL35ABM	KL35ABP
14	Pump body	PN16	151302070	151302090
		PN25(40)	-	-
28	Piston	EPR	-	KL41AAC
		FPM	-	KL41AAF
		FEP	-	KL41AAU
29	Impeller locking	KL41AAG	-	-

Common, Single Unit and Kit

4	Plugs	EPR	KL34AAF	
		FPM	KL34AAG	
		FEP	KL34AAH	
5	Seal housing	160102850		
6	Upper head	161440040		
7	Spring	169100210		
8	Reduced impeller	150702840		
9	Full impeller	150702760		
15	Diffuser carbon bush	152801820		
16	Final diffuser	152801750		
*21	OR	EPR	KL02AAC	All Pumps
		FPM	KL02AAF	
		FEP	KL02AA9	
30	Bush seal	KL41AAH		
32	Support tungsten bush SVN	KL16AAG		
*33	Diffuser tungsten bush	KL05AC8	From SV6604, included	

Motor, Coupling, Motor Adaptor

**1	kW >	4.0	5.5	7.5	11.0	15.0	18.5	22.0	30.0	37.0	45.0
	Motor 2P, 3~ >	107106329	107106337	107106347	107106397	107106421	107106431	107106447	130643901	130643911	130643921
2	Adaptor	161453620	161453640	161453640	161453660	161453660	161453660	161453660	161453680	161453680	161453700
26	Coupling	KL10AAB	KL10AAC	KL10AAC	KL10AAD	KL10AAD	KL10AAD	KL10AAE	KL10AAF	KL10AAF	KL10AAF
27	Coupling guard	KL33AAA	KL33AAB	KL33AAB	KL33AAC	KL33AAC	KL33AAC	KL33AAC	KL33AAC	KL33AAC	KL33AAC

- * Recommended spares
- * Motor spares: see motor lists



ITT

Lowara

Production date > Mar04

SV66N 4 Pole

ELP 4 P, 3 ~								
N - Version 3 ~>	SV6601N4	SV6602N4	SV6603N4	SV6604N4	SV6605N4	SV6606N4	SV6607N4	SV6608N4
		102704524	102704554	102704584	102704614	102704644	102704674	102704704
Mot. power, kW ->	1,1	1,5	2,2	3,0	4,0	4,0	5,5	5,5
Stages number	1	2	3	4	5	6	7	8

Single Unit and Kit

10	Stages >	1	2	3	4	5	6	7	8
	ST PN 25 ->	166442080	166442090	166442100	166442110	166442120	166442130	166442140	166442150
	ST PN 40 ->	156408750	156408760	156408770	156408780	156408790	156408800	156408810	156408820
11	Shaft	165045780	165045790	165045800	165045810	165045820	165045830	165045840	165045850
31	Tie rods SVN Kit	KL22ABC	KL22ABD	KL22ABE	KL22ABF	KL22AAX	KL22ABG	KL22ABH	KL22ABK

Mechanical seal Kit

*20	Materials ->	Q1BEGG	Q1Q1EGG	Q1BVG	Q1Q1VGG	Q1CTGG	Q1Q1TGG	
	Mechanical seal + housing OR	KL01AC0	KL01AC1	KL01AC2	KL01AC3	KL01AC5	KL01AC6	Single Seal D:22 : All Versions

Wear parts, pump body impeller halt

		-> SV6603	-> SV6606	-> SV6608
		1 bearing no piston	2 bearing no piston	3 bearing no piston
*34	Wear parts kit	KL35ABL	KL35ABM	KL35ABP
14	Pump body PN16	151302070	151302070	151302070
29	Impeller locking	KL41AAG	KL41AAG	KL41AAG

Common, Single Unit and Kit

4	Plugs	EPR	KL34AAF	
		FPM	KL34AAG	
		FEP	KL34AAH	
5	Seal housing		160102850	
6	Upper head		161440040	
7	Spring		169100210	
8	Reduced impeller		150702840	
9	Full impeller		150702760	
15	Diffuser carbon bush		152801820	
16	Final diffuser		152801750	
	OR	EPR	KL02AAC	All Pumps
		FPM	KL02AAF	
		FEP	KL02AA9	
*21	Bush seal		KL41AAH	
32	Support tungsten bush SVN		KL16AAG	
*33	Diffuser tungsten bush		KL05AC8	From SV6604, included

Motor, Coupling, Motor Adaptor

**1	kW >	1,1	1,5	2,2	3,0	4,0	5,5
	Motor 4P, 3~>	107106613	107106623	107106653	107106663	107106683	107106711
2	Adaptor	161453600	161453600	161453620	161453620	161453620	161453640
26	Coupling	KL10AAA	KL10AAA	KL10AAB	KL10AAB	KL10AAB	KL10AAC
27	Coupling guard	KL33AAA	KL33AAA	KL33AAB	KL33AAB	KL33AAB	KL33AAC

Pump stack, EPR

Stages >	1	2	3	4	5	6	7	8
----------	---	---	---	---	---	---	---	---

Articles to Be Defined at February 2007

- * Recommended spares
- * Motor spares: see motor lists



ITT

Lowara

SV92N 2 Pole

Production date > Mar04

ELP 2 P, 3 ~										
N - Version 3 ~ >	SV9201/1N	SV9201N	SV9202/2N	SV9202N	SV9203/2N	SV9203N	SV9204/2N	SV9204N	SV9205/2N	SV9205N
	102706014	102706024	102706034	102706044	102706054	102706064	102706074	102706084	102706094	102706104
	SV9206/2N	SV9206N	SV9207/2N							
3 ~ >	102706114	102706124	102706134							
Motor power kW >	5.5	7.5	11.0	15.0	18.5	22.0	30.0	30.0	37.0	37.0
	45.0	45.0	45.0							
Stages Number	1	1	2	2	3	3	4	4	5	5
	6	6	7							

Single Unit and Kit

10	Stages >	1	2	3	4	5	6	7
	Sleeve, PN25	166442080	166442090	166442100	166442110	166442120	166442130	166442140
	Sleeve, PN40	156408750	156408760	156408770	156408780	156408790	156408800	156408810
11	Shaft	165045780	165045790	165045800	165045810	165045820	165045830	165045840
31	Tie rods SVN Kit	KL22ABC	KL22ABD	KL22ABE	KL22ABF	KL22AAX	KL22ABG	KL22ABH

Mechanical seal Kit

		Materials ->						
*20	Mechanical seal + housing OR	Q1BEGG	Q1Q1EGG	Q1BVGG	Q1Q1VGG	Q1CTGG	Q1Q1TGG	
		KL01AC0	KL01AC1	KL01AC2	KL01AC3	KL01AC5	KL01AC6	Single Seal D:22 : All Versions

Wear parts, pump body

		-> SV9202	-> SV9204	-> SV9207
piston, impeller halt		1 bearing no piston	2 bearing piston	3 bearing piston
*34	Wear parts Kit	KL35ABR	KL35ABT	KL35ABV
14	Pump body	PN16	151302070	-
		PN25 (40)	-	151302120
28	Piston	EPR	-	KL41AAC
		FPM	-	KL41AAF
		FEP	-	KL41AAU
29	Impeller locking	KL41AAG	-	-

Common, Single Unit and Kit

4	Plugs	EPR	KL34AAF	
		FPM	KL34AAG	
		FEP	KL34AAH	
5	Seal housing	160102850		
6	Upper head	161440040		
7	Spring	169100210		
8	Reduced impeller	150702850		
9	Full impeller	150702770	Example. SV9203/2 = 3 Stages = 3 Impellers: 2 Imp. Reduced, 1 Imp. Full	
15	Diffuser carbon bush	152801830		
16	Final diffuser	152801750		
*21	OR	EPR	KL02AAC	All Pumps
		FPM	KL02AAF	
		FEP	KL02AA9	
30	Bush seal	KL41AAH		
32	Support tungsten bush SVN	KL16AAH		
*33	Diffuser tungsten bush	KL05AC9	From SV9204, included	

Motor, Coupling, Motor Adaptor

**1	kW ->	5.5	7.5	11.0	15.0	18.5	22.0	30.0	37.0	45.0
	Mot. 2P, 3~ ->	107106337	107106347	107106397	107106421	107106431	107106447	130643901	130643911	130643921
2	Adaptor	161453640	161453640	161453660	161453660	161453660	161453660	161453680	161453680	161453700
26	Coupling	KL10AAC	KL10AAC	KL10AAD	KL10AAD	KL10AAD	KL10AAE	KL10AAF	KL10AAF	KL10AAF
27	Coupling guard	KL33AAB	KL33AAB	KL33AAC	KL33AAC	KL33AAC	KL33AAC	KL33AAC	KL33AAC	KL33AAC

* Recommended spares

* Motor spares: see motor lists

SV33-92N_5_Mar04_EdC



ITT

Lowara

Production date > Mar04

SV92N 4 Pole

ELP 4 P, 3 ~								
N - Version 3 ~ >	SV9201N4	SV9202N4	SV9203N4	SV9204N4	SV9205N4	SV9206N4	SV9207N4	SV9208N4
		102706524	102706554	102706584	102706614	102706644	102706674	102706704
Mot. power, kW >	1,1	2,2	3,0	4,0	5,5	5,5	7,5	7,5
Stages Number >	1	2	3	4	5	6	7	8

Single Unit and Kit

10	Stages >	1	2	3	4	5	6	7	8
	Sleeve, PN25	166442080	166442090	166442100	166442110	166442120	166442130	166442140	166442150
	Sleeve, PN40	156408750	156408760	156408770	156408780	156408790	156408800	156408810	156408820
11	Shaft	165045780	165045790	165045800	165045810	165045820	165045830	165045840	165045850
31	Tie rods SVN Kit	KL22ABC	KL22ABD	KL22ABE	KL22ABF	KL22AAX	KL22ABG	KL22ABH	KL22ABK

Mechanical seal Kit

*20	Materials ->	Q1BEGG	Q1Q1EGG	Q1BVG	Q1Q1VGG	Q1CTGG	Q1Q1TGG	
	Mechanical seal + housing OR	KL01AC0	KL01AC1	KL01AC2	KL01AC3	KL01AC5	KL01AC6	Single Seal D:22 : All Versions

Wear parts, pump body

		-> SV9203	-> SV9206	-> SV9208
	impeller halt	1 bearing no piston	2 bearing no piston	3 bearing no piston
*34	Wear parts Kit	KL35ABR	KL35ABS	KL35ABU
14	Pump body PN16	151302070	151302070	151302070
29	Impeller locking	KL41AAG	KL41AAG	KL41AAG

Common, Single Unit and Kit

4	Plugs	EPR	KL34AAF	
		FPM	KL34AAG	
		FEP	KL34AAH	
5	Seal housing		160102850	
6	Upper head		161440040	
7	Spring		169100210	
8	Reduced impeller		150702850	
9	Full impeller		150702770	
15	Diffuser carbon bush		152801830	
16	Final diffuser		152801750	
	OR	EPR	KL02AAC	All Pumps
		FPM	KL02AAF	
		FEP	KL02AA9	
*21				
30	Bush seal		KL41AAH	
32	Support tungsten bush SVN		KL16AAH	
*33	Diffuser tungsten bush		KL05AC9	From SV9204, incl.

Motor, Coupling, Motor Adaptor

**1	kW ->	1,1	2,2	3,0	4,0	5,5	7,5
	Mot. 4P, 3~ ->	107106653	107106663	107106683	107106711	107106711	107106721
2	Adaptor	161453600	161453620	161453620	161453620	161453640	161453640
26	Coupling	KL10AAB	KL10AAB	KL10AAB	KL10AAB	KL10AAC	KL10AAC
27	Coupling guard	KL33AAB	KL33AAB	KL33AAB	KL33AAB	KL33AAC	KL33AAC

* Recommended spares

* Motor spares: see motor lists

SV33-92N_5_Mar04_EdC