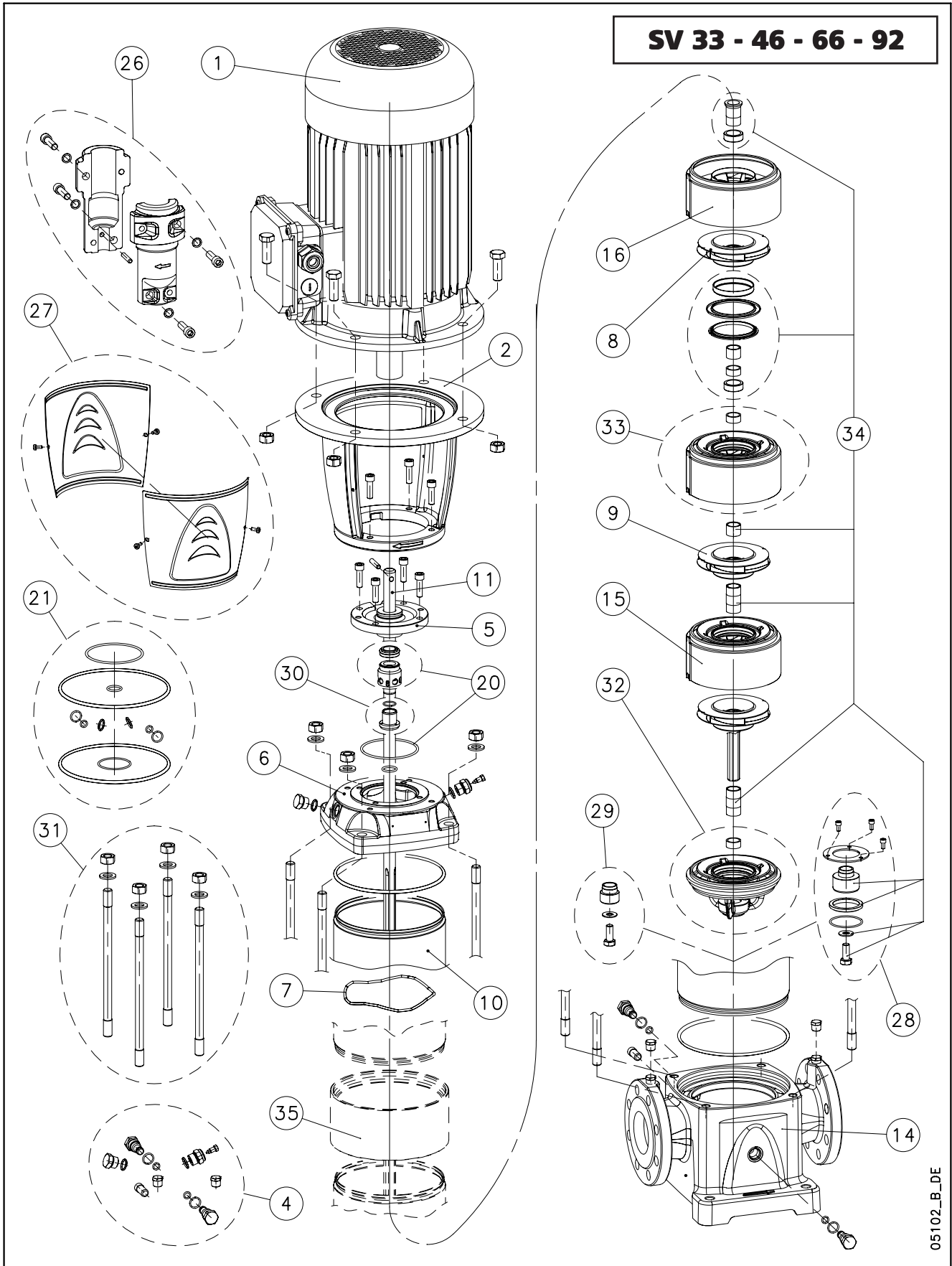




ITT

Lowara

SV 33 - 46 - 66 - 92



05102_B_DE



ITT

N.	Descrizione It	Description en	Description fr	Beschreibung de	Descripción es	Descrição pt
1	Motore	Motor	Moteur	Motor	Motor	Motor
2	Lanterna	Adaptor	Lanterne	Passfeder	Adaptador	Adaptador
4	Tappi	Plugs	Bouchons	Schrauben	Tapones	Tampões
5	Disco porta tenuta	Seal housing plate	Disque de support garniture	Dichtungsgehäusescheibe	Disco de alojamiento sello	Disco porta-vedante
6	Testata superiore	Upper head	Tête supérieure	Oberer Zylinderkopf	Cabezal superior	Cabeça superior
7	Molla	Spring	Ressort	Feder	Muelle	Mola
8	Girante ridotta	Reduced impeller	Roue réduite	Lauftrad, reduziertes	Rodete, reducido	Impulsor reduzido
9	Girante piena	Full impeller	Roue pleine	Volles Lauftrad	Rodete, completo	Impulsor completo
10	Camicia	Sleeve	Chemise	Gehäuse	Camisa	Camisa
11	Albero	Shaft	Arbre	Welle	Árbol	Veio
14	Corpo pompa	Pump body	Corps de pompe	Pumpengehäuse	Caja bomba	Corpo da bomba
15	Diffusore boccola carbone	Diffuser carbon bush	Diffuseur douille carbone	Diffusor und Büchse, Kohle	Difusor casquillo carbón	Difusor bucha carvão
16	Diffusore finale	Last stage diffuser	Diffuseur dernier étage	End Diffusor	Difusor final	Difusor final
20	Kit tenuta mecc. + OR	Mechanical seal + OR kit	Kit garniture méc. + joints toriques	Gleitringdichtung + OR	Kit sello mec. + junta tórica	Kit vedante mec. + OR
21	Kit guarnizioni OR	O ring kit	Kit joints toriques	O-Ring-Dichtungssatz	Kit juntas tóricas	Kit guarnições OR
26	Kit coppia di semigiunti	Pair of half coupling kit	Kit paire de demi-manchons	Kupplungssatz	Kit par de semijuntas	Kit par de semi-juntas
27	Kit protezione giunto	Coupling guard kit	Kit protection manchon	Satz Kupplungsschutz	Kit protección junta	Kit protecção junta
28	Kit tamburo reggispinta	Thrust drum kit	Kit tambour butée	Satz Drucklagerscheibe	Kit tambor de empuje	Kit tambor de impulso
29	Kit bloccaggio giranti	Impeller locking kit	Kit blocage roues	Lauftraderblockierungssatz	Kit bloqueo rodetes	Kit bloqueio impulsores
30	Kit bussola tenuta	Bush seal kit	Kit douille garniture	Satz Buschdichtung	Kit casquillo sello	Kit bucha vedante
31	Kit tiranti	Tie rods kit	Kit tirants	Zugstangensatz	Kit tirantes	Kit tirantes
32	Kit supporto boccola Widia	Support tungsten bush kit	Kit support douille Widia	Satz Widia Halterung	Kit soporte casquillo Widia	Kit suporte com tungstênio bucha
33	Kit diffusore boccola Widia	Diffuser tungsten bush kit	Kit diffuseur douille Widia	Satz Diffusor mit Widia Büchse	Kit difusor casquillo Widia	Kit difusor com tungstênio bucha
34	Kit parti di usura	Wear parts kit	Kit parties d'usure	Bausatz Verschleißteile	Kit piezas de desgaste	Kit peças desgastáveis
35	Anello per camicie	Sleeve ring	Anneau pour chemises	Ring für Laufbuchsen	Anillo para camisas	Anel para camisas
N.	Beschrijving nl	Περιγραφή el	Açıklama tr	Kuvaus fi	Описание ru	Опис pl
1	Motor	Πλήρης κινητήρας	Motor	Moottori	Двигатель	Silnik
2	Lantaarnstuk	Μπρακέτο	Adaptör	Sovitin	Крестовина	Piasta
4	Pluggen	Σετ ταπών	Tapalar	Tulpat	Пробки	Zatyczki
5	Dichtingssteunplaat	Δίσκος μηχανικού στυπιοθλίπτη	Sızdırmazlık elemanı diski	Tiivisteen kannatuslevy	Пластина держателя прокладки	Tarcza uszczelki
6	Bovenste kop	Κεφαλή αντλίας	Üst kafa	Yläkansi	Верхняя головка	Głowica górna
7	Veer	Έλασμα	Yay	Jousi	Пружина	Sprężyna
8	Waaier met verkleinde diameter	Πτερύγιο μειωμένης διαμέτρου	Küçük boylu pompa rotoru	Pieni juoksupyörä	Уменьшенное рабочее колесо	Wirnik niepełny
9	Volle waaier	Πτερύγιο πλήρους διαμέτρου	Tam boylu pompa rotoru	Täydellinen juoksupyörä	Полное рабочее колесо	Wirnik pełny
10	Mantel	Κέλυφος	Gömek	Muhvi	Муфта	Plaszcz
11	As	Άξονας	Mil	Akseli	Вал	Wał
14	Pomphuis	Σώμα αντλίας	Pompa gövdesi	Pumpun runko	Корпус насоса	Korpus pompy
15	Diffusor koollager	Πτερύγιο εκτροπής με κουζινέτο	Karbon burçlu difüzör	Diffusori ja hiiliholkki	Диффузор втулки угля	Dyfuzor tulejki węgla
16	Diffusor laatste trap	Τελευταίο πτερύγιο εκτροπής	Son difüzör	Loppuvaiheen diffusori	Конечный диффузор	Dyfuzor końcowy
20	Set mech. asafdichting + O-ring	Μηχανικός στυπιοθλίπτης και ροδέλες στεγανοποίησης	Mekanik salmastra kiti + O-Ring	Mek. tiiviste + O-rengassarja	Комплект мех.прокладки + OR	Zestaw uszcz.mech. + OR
21	Set O-ringafdichtingen	Σετ ροδέλες στεγανοποίησης	O-Ring kiti	O-rengassarja	Комплект кольцевых прокладок OR	Zestaw uszczelki OR
26	Set koppelingshelften	Σετ σταθερού συνδέσμου	Çift yarım manşon kiti	Liitinsarja	Комплект пары полумуфт	Zestaw pary półzłączy
27	Set koppelingsbescherming	Καλύμματα προστασίας σταθερού συνδέσμου	Manşon koruma kiti	Liitoksen suojussarja	Комплект защиты муфт	Zestaw ochronny złącza
28	Set druklagertrommel	Σετ ωστικού εμβόλου	Basınç yatağı tambur kiti	Rumpusarja	Комплект упорного барабана	Testaw bębna łożyska oporowego
29	Set waaierblokkeringen	Σετ ασφάλισης πτερυγίων	Pompa rotorlarını sabitleme kiti	Juoksupyörien kiinnitysarja	Комплект блокировки раб. колес	Zestaw blokujący wirniki
30	Set afdichtingsbus	Σετ κουζινέτου μηχανικού στυπιοθλίπτη	Sızdırmazlık elemanı burcu kiti	Holkki ja tiiviste	Комплект втулки уплотнения	Zestaw busoli uszczel.
31	Set trekstangen	Σετ ράβδων σύνδεσης	Gergi çubuğu kiti	Vetotankosarja	Комплект тяг	Zestaw napinaczy
32	Set Widia steunbus	Σετ κάτω κουζινέτου	Tungsten burç mesnedi kiti	Kannatin ja kovametalliholkki	Комплект опоры втулки Widia	Zestaw wspornika tulejki Wolfram
33	Set Widia diffusorbus	Σετ πτερυγίου εκτροπής με κουζινέτο και δακτύλιο τριβής	Tungsten burçlu difüzör kiti	Diffusori ja kovametalliholkki	Комплект диффузора втулки Widia	Zestaw dyfuzora tulejki Wolfram
34	Set slijtonderdelen	Σετ δακτυλίων τριβής	Aşınma parçaları kiti	Kulumisiosien sarja	Комплект изнашиваемых частей	Zestaw części podl. zużyciu
35	Ring voor mantels	Σύνδεσμος κελύφων	Gömek halkası	Muhvirengas	Кольцо муфты	Pierścień do płaszczy

SV33F 2 Pole

ELP 2 P, 3 ~										
F - Version 3 ~ >	SV3301/1F	SV3301F	SV3302/2F	SV3302/1F	SV3302F	SV3303/2F	SV3303/1F	SV3303F	SV3304/2F	SV3304/1F
	102700011	102700021	102700031	102700041	102700051	102700061	102700071	102700081	102700091	102700101
	SV3304F	SV3305/2F	SV3305/1F	SV3305F	SV3306/2	SV3306/1F	SV3306F	SV3307/2F	SV3307/1F	SV3307F
3 ~ >	102700111	102700121	102700131	102700141	102700151	102700161	102700171	102700181	102700191	102700201
	SV3308/2F	SV3308/1F	SV3308F	SV3309/2F	SV3309/1F	SV3309F	SV3310/2F	SV3310/1F	SV3310F	SV3311/2F
3 ~ >	102700211	102700221	102700231	102700241	102700251	102700261	102700271	102700281	102700291	102700301
	SV3311/1F	SV3311F	SV3312/2F	SV3312/1F	SV3312F	SV3313/2F	SV3313/1F			
Motor power kW >	2,2	3,0	4,0	4,0	5,5	5,5	7,5	7,5	11,0	
	11,0	11,0	11,0	15,0	15,0	15,0	15,0	15,0	18,5	18,5
	18,5	18,5	22,0	22,0	22,0	22,0	22,0	30,0	30,0	30,0
	30,0	30,0	30,0	30,0	30,0	30,0	30,0	30,0		
Stages Number	1	1	2	2	2	3	3	3	4	4
	4	5	5	5	6	6	6	7	7	7
	8	8	8	9	9	9	10	10	10	11
	11	11	12	12	12	13	13			

Single Unit and Kit

10	Stages >	1	2	3	4	5	6	7	8	9	10	
		Sleeve PN25	166441880	166441890	166441900	166441910	166441920	166441930	166441940	166441950	166441960	166441970
Sleeve PN40	156408600	156408610	156408620	156408630	156408640	156408650	156408660	156408670	156408680	156408690		
	KL13AAA	KL13AAB	KL13AAC	Note. Double Sleeve Kit are without ring								
11	Shaft Duplex S.S.	165045620	165045630	165045640	165045650	165045660	165045670	165045680	165045690	165045700	165045710	
		165045720	165045730	165045740								
31	Tie rods SVF Kit 431 S.S.	KL22AAC	KL22AAD	KL22AAE	KL22AAF	KL22AAG	KL22AAH	KL22AAK	KL22AAL	KL22AAM	KL22AAN	
		KL22AAP	KL22AAQ	KL22AAR								

Mech seal Kit

		Materials ->		Q1BEGG	Q1Q1EGG	Q1BVGG	Q1Q1VGG	Q1CTGG	Q1Q1TGG	
*20	Mech seal + seal housing OR	KL01AC0	KL01AC1	KL01AC2	KL01AC3	KL01AC5	KL01AC6	Single Seal D:22 : All Versions		

Wear parts, pump body
piston, Impeller halt

		-> SV3304	-> SV3306/2	-> SV3309	-> SV3313
		1 bearing no piston	2 bearing no piston	2 bearing piston	3 bearing piston
* 34	Wear Parts Kit	KL35AA9	KL35ABA	KL35ABB	KL35ABD
14	Pump body	PN16	151351000	-	-
		PN25-40	-	-	151351020
28	Piston	EPR	-	KL41AAA	KL41AAA
		FPM	-	KL41AAD	KL41AAD
		FEP	-	KL41AAS	KL41AAS
29	Impeller locking	KL41AAG	KL41AAG	-	-

Common, Single Unit and Kit

4	Plugs	EPR	KL34AAF	
		FPM	KL34AAG	
		FEP	KL34AAH	
5	Seal housing	160150260		
6	Upper head	161453740		
7	Spring	169100190		
8	Reduced impeller	150702820		
9	Full impeller	150702840		
15	Diffuser carbon bush	152801800		
16	Final diffuser	152801730		
*21	OR	EPR	KL02AAA	All Pumps
		FPM	KL02AAD	
	OR	FEP	KL02AA7	Single Sleeve With Elastomers for All Size Piston Pumps
		FPM	KL02AAE	
OR	FEP	KL02AA8	Double Sleeve With Elastomers for All Size Piston Pumps	
30	Bush seal	KL41AAH		
32	Support tungsten bush SVF	KL16AAA		
*33	Diffuser tungsten bush	KL05AC6		
35	Sleeve ring	168601900		

For example. SV3303/2 = 3 STages = 3 Impellers: 2 Imp. Reduced, 1 Imp. Full

Motor, Coupling, Adaptor

**1	kW >	2,2	3,0	4,0	5,5	7,5	11,0	15,0	18,5	22,0	30,0
	Motor 2P, 3 ~ >	107230220	107106255	107106329	107106337	107106347	107106397	107106421	107106431	107106447	130643901
2	Adaptor	161453600	161453620	161453620	161453640	161453640	161453660	161453660	161453660	161453660	161453680
26	Coupling	KL10AAA	KL10AAB	KL10AAB	KL10AAC	KL10AAC	KL10AAD	KL10AAD	KL10AAD	KL10AAE	KL10AAF
27	Coupling guard	KL33AAA	KL33AAA	KL33AAA	KL33AAB	KL33AAB	KL33AAC	KL33AAC	KL33AAC	KL33AAC	KL33AAC



ITT

Lowara

SV33F 4 Pole

Production date > Mar04

ELP 4 P, 3 ~										
F - Version 3 ~ >	SV3303/2F4	SV3304/1F4	SV3305F4	SV3306F4	SV3307F4	SV3308F4	SV3309F4	SV3310F4	SV3311F4	SV3312F4
	102700561	102700601	102700611	102700671	102700701	102700731	102700761	102700791	102700821	102700851
3 ~ >	SV3313F									
	102700881									
Motor power kW >	1,1	1,1	1,5	2,2	2,2	3,0	3,0	3,0	4,0	4,0
Stages number	3	4	5	6	7	8	9	10	11	12
	13									

Single Unit and Kit

10	Stages >	3	4	5	6	7	8	9	10	11	12
		13									
Sleeve PN25		166441900	166441910	166441920	166441930	166441940	166441950	166441960	166441970	KL13AAD	KL13AAE
		KL13AAF	Note. Double Sleeve Kit are without ring								
Sleeve PN40		156408620	156408630	156408640	156408650	156408660	156408670	156408680	156408690	KL13AAA	KL13AAB
		KL13AAC	Note. Double Sleeve Kit are without ring								
11 Shaft		165045640	165045650	165045660	165045670	165045680	165045690	165045700	165045710	165045720	165045730
		165045740									
31 Tie rods SVF Kit		KL22AAE	KL22AAF	KL22AAG	KL22AAH	KL22AAK	KL22AAL	KL22AAM	KL22AAN	KL22AAP	KL22AAQ
		KL22AAR									

Wear parts, pump body impeller halt

- > SV3304	- > SV3309	- > SV3313
1 bearing no piston	2 bearing no piston	3 bearing no piston

* 34 Wear Parts Kit	KL35AA9	KL35ABA	KL35ABC
14 Pump body PN16	151351000	151351000	151351000
29 Impeller locking	KL41AAG	KL41AAG	KL41AAG

Common, Single Unit and Kit

4	Plugs	EPR	KL34AAF		
		FPM	KL34AAG		
		FEP	KL34AAH		
5	Seal housing		160150260		
6	Upper head		161453740		
7	Spring		169100190		
8	Rreduced impeller		150702820		
9	Full impeller		150702840	For example. SV3303/2 = 3 Stages = 3 Impellers: 2 Imp. Reduced, 1 Imp. Full	
15	Diffuser carbon bush		152801800		
16	Final diffuser		152801730		
*21	OR	EPR	KL02AAA	All Pumps	
		FPM	KL02AAD		
	OR	FEP	KL02AA7	Single Sleeve Pumps	With Elastomers for All Size Piston pumps
		FPM	KL02AAE		
	FEP	KL02AA8	Double Sleeve Pumps	With Elastomers for All Size Piston pumps	
30	Bush seal		KL41AAH		
32	Support tungsten bush SVF		KL16AAA		
*33	Diffuser tungsten bush		KL05AC6	From SV3304, included	
35	Sleeve ring		168601900	For 11-12-13 Stages Pumps	

Motor, Coupling, Adaptor

	kW >	1,1	1,5	2,2	3,0	4,0
**1	Motor 4P, 3 ~ ->	107106613	107106623	107106653	107106663	107106683
2	Adaptor	161453600	161453600	161453620	161453620	161453620
26	Coupling	KL10AAA	KL10AAA	KL10AAB	KL10AAB	KL10AAB
27	Coupling guard	KL33AAA	KL33AAA	KL33AAB	KL33AAB	KL33AAB

Pump stack, EPR

Stages >	1	2	3	4	5	6	7	8	9	10
	11	12	13	Articles with production To be Defined, at Feb. 2007						

- * Recommended spares
- * Motor spares: see motor lists



ITT

Lowara

SV46F 2 Pole

Production date > Mar04

ELP 2 P, 3 ~										
F - VersioF 3 ~ >	SV1601/1F	SV1601F	SV1602/2F	SV1602F	SV1603/2F	SV1603F	SV1604/2F	SV1604F	SV1605/2F	SV1605F
	102702011	102702021	102702031	102702041	102702051	102702061	102702071	102702081	102702101	102702111
	SV1606/2F	SV1606F	SV1607/2F	SV1607F	SV1608/2F	SV1608F	SV1609/2F	SV1609F	SV1610/2F	SV1610F
3 ~ >	102702111	102702121	102702131	102702141	102702151	102702161	102702171	102702181	102702191	102702201
	SV1611/2F	SV1611F	SV1612/2F	SV1612F	SV1613/2F					
Motor power kW >	3.0	4.0	5.5	7.5	11.0	11.0	15.0	15.0	18.5	18.5
	22.0	22.0	30.0	30.0	30.0	30.0	30.0	37.0	37.0	37.0
	45.0	45.0	45.0	45.0	45.0					
Stages number	1	1	2	2	3	3	4	4	5	5
	6	6	7	7	8	8	9	9	10	10
	11	11	12	12	13					

Single Unit and Kit

10	Stages >	1	2	3	4	5	6	7	8	9	10
		11	12	13							
	Sleeve , PN25	166441880	166441890	166441900	166441910	166441920	166441930	166441940	166441950	166441960	-
	Sleeve , PN40	156408600	156408610	156408620	156408630	156408640	156408650	156408660	156408670	156408680	156408690
		KL13AAA	KL13AAB	KL13AAC	Note. Double Sleeve without ring						
11	Shaft	165045620	165045630	165045640	165045650	165045660	165045670	165045680	165045690	165045700	165045710
		165045720	165045730	165045740							
31	Tie rods SVF Kit	KL22AAC	KL22AAD	KL22AAE	KL22AAF	KL22AAG	KL22AAH	KL22AAK	KL22AAL	KL22AAM	KL22AAN
		KL22AAP	KL22AAQ	KL22AAR							

Mechanical seal kit

*20	Mechanical seal + housing OR	Materials ->	Q1BEGG	Q1Q1EGG	Q1BVGG	Q1Q1VGG	Q1CTGG	Q1Q1TGG	Single Seal D:22 : All Versions		
			KL01AC0	KL01AC1	KL01AC2	KL01AC3	KL01AC5	KL01AC6			

Wear parts, pump body piston, impeller halt

		->SV4604/2	->SV4609	->SV4613/2
		1 bearing no piston	2 bearing piston	3 bearing piston
*34	Wear Parts Kit	KL35ABE	KL35ABG	KL35ABK
14	Pump body	PN16 151351040	-	-
		PN25-40	151351060	151351060
	Piston	EPR KL41AAB	KL41AAB	KL41AAB
		FPM KL41AAE	KL41AAE	KL41AAE
28		FEP KL41AAT	KL41AAT	KL41AAT
29	Impeller locking	KL41AAG	-	-

Common, Single Unit and Kit

4	Plugs	EPR KL34AAF									
		FPM KL34AAG									
		FEP KL34AAH									
5	Seal housing	160150260									
6	Upper head	161453740									
7	Spring	169100190									
8	Reduced impeller	150702830									
9	Full impeller	150702750	Example. SV4603/2 = 3 Stages = 3 Impellers: 2 Imp. Reduced, 1 Imp. Full								
15	Diffuser carbon bush	152801810									
16	Final diffuser	152801730									
	OR	EPR KL02AAA	All Pumps								
	OR	FPM KL02AAD									
	OR	FEP KL02AA7	Single sleeve With Elastomers for All Size Piston Pumps								
	OR	FPM KL02AAE									
*21		FEP KL02AA8	Double sleeve With Elastomers for All Size Piston Pumps								
30	Bush seal	KL41AAH									
32	Support tungsten bush SVF	KL16AAB									
*33	Diffuser tungsten bush	KL05AC7	From SV4605, included								
35	Sleeve ring	168601900	For 11-12-13 Stages Double Sleeve Pumps								

Motor, Single Unit and Kit

**1	Motor power >	3.0	4.0	5.5	7.5	11.0	15.0	18.5	22.0	30.0	37.0	
	kW >	45.0										
	Motor 2P, 3 ~>	107106255	107106329	107106337	107106347	107106397	107106421	107106431	107106447	130643901	130643911	
		130643921										
2	Adaptor	161453620	161453620	161453640	161453640	161453660	161453660	161453660	161453660	161453680	161453680	
		161453700										
26	Coupling	KL10AAB	KL10AAB	KL10AAC	KL10AAC	KL10AAD	KL10AAD	KL10AAD	KL10AAE	KL10AAF	KL10AAF	
		KL10AAF										
27	Coupling guard	KL33AAA	KL33AAA	KL33AAB	KL33AAB	KL33AAC	KL33AAC	KL33AAC	KL33AAC	KL33AAC	KL33AAC	
		KL33AAC										



ITT

Lowara

Production date > Mar04

SV46F 4 Pole

ELP 1 P, 3 ~										
F - VersioF 3 ~>	SV4602F4	SV4603F4	SV4604F4	SV4605F4	SV4606F4	SV4607F4	SV4608F4	SV4609F4	SV4610F4	SV1611F4
	102702541	102702561	102702581	102702601	102702621	102702641	102702661	102702681	102702701	102702721
3 ~>	SV4612F									
	102702741									
Motor power kW >	1,1	1,5	2,2	2,2	3,0	3,0	4,0	4,0	5,5	5,5
Stages number >	2	3	4	5	6	7	8	9	10	11
	12									

Single Unit and Kit

10	Stages >	2	3	4	5	6	7	8	9	10	11
		12									
	Sleeve , PN25	166441890	166441900	166441910	166441920	166441930	166441940	166441950	166441960	166441970	KL13AAD
		KL13AAE	Note. Double Sleeve pump without ring								
	Sleeve , PN40	156408610	156408620	156408630	156408640	156408650	156408660	156408670	156408680	156408690	KL13AAA
		KL13AAB	Note. Double Sleeve pump without ring								
11	Shaft	165045630	165045640	165045650	165045660	165045670	165045680	165045690	165045700	165045710	165045720
		165045730									
31	Tie rods SVF Kit	KL22AAD	KL22AAE	KL22AAF	KL22AAG	KL22AAH	KL22AAK	KL22AAL	KL22AAM	KL22AAN	KL22AAP
		KL22AAQ									

Wear parts, pump body impeller halt

	->SV4604	->SV4609	->SV4612
	1 bearing no piston	2 bearing no piston	3 bearing no piston
*34	Wear Parts Kit	KL35ABE	KL35ABF
14	Pump body PN16	151351060	151351060
29	Impeller locking	KL41AAG	KL41AAG

Common, Single Unit and Kit

4	Plugs	EPR	KL34AAF	
		FPM	KL34AAG	
		FEP	KL34AAH	
5	Seal housing		160150260	
6	Upper head		161453740	
7	Spring		169100190	
8	Reduced impeller		150702830	
9	Full impeller		150702750	
15	Diffuser carbon bush		152801810	
16	Final diffuser		152801730	
	OR	EPR	KL02AAA	All Pumps
	OR	FPM	KL02AAD	
		FEP	KL02AA7	Single Sleeve pump With Elastomers for All Size Piston Pumps
*21	OR	FPM	KL02AAE	
		FEP	KL02AA8	Double sleeve pump With Elastomers for All Size Piston Pumps
30	Bush seal		KL41AAH	
32	Support tungsten bush SVF		KL16AAB	
*33	Diffuser tungsten bush		KL05AC7	From SV4605, included
35	Sleeve ring		168601900	For 11-12 Stages Double Sleeve Pumps

Motor, Single Unit and Kit

**1	Mot. power, kW	1,1	1,5	2,2	3,0	4,0	5,5
	Motor 2P ->	107106613	107106623	107106653	107106663	107106683	107106711
2	Adaptor	161453600	161453600	161453620	161453620	161453620	161453640
26	Coupling	KL10AAA	KL10AAB	KL10AAB	KL10AAC	KL10AAC	KL10AAC
27	Coupling guard	KL33AAA	KL33AAB	KL33AAB	KL33AAC	KL33AAC	KL33AAC

Pump stack, EPR

Stages >	1	2	3	4	5	6	7	8	9	10
	11	12	13	Articles with production To be Defined, at Feb. 2007						

- * Recommended spares
- * Motor spares: see motor lists



ITT

Lowara

Production date > Mar04

SV66F 2 Pole

ELP 2 P, 3 ~										
F - Version 3 ~>	SV6601/1F	SV6601F	SV6602/2F	SV6602/1F	SV6602F	SV6603/2F	SV6603/1F	SV6603F	SV6604/2F	SV6604/1F
	102701011	102701021	102701031	102701041	102701051	102701061	102701071	102701081	102701091	102701101
	SV6604F	SV6605/2F	SV6605/1F	SV6605F	SV6606/2F	SV6606/1F	SV6606F	SV6607/2F	SV6607/1F	SV6607F
3 ~>	102701111	102701121	102701131	102701141	102701151	102701161	102701171	102701181	102701191	102701201
	SV6608/2F	SV6608/1F	SV6608F							
Motor power kW >	4.0	5.5	7.5	11.0	11.0	15.0	15.0	18.5	18.5	22.0
	22.0	30.0	30.0	30.0	30.0	30.0	37.0	37.0	37.0	45.0
	45.0	45.0	45.0							
Stages number	1	1	2	2	2	3	3	3	4	4
	4	5	5	5	6	6	6	7	7	7
	8	8	8							

Single Unit and Kit

10	Stages >	1	2	3	4	5	6	7	8
	Sleeve PN25	166442080	166442090	166442100	166442110	166442120	166442130	166442140	166442150
	Sleeve PN25	156408750	156408760	156408770	156408780	156408790	156408800	156408810	156408820
11	Shaft	165045780	165045790	165045800	165045810	165045820	165045830	165045840	165045850
31	Tie rods SVF Kit	KL22AA5	KL22AA6	KL22AA7	KL22AA8	KL22AAH	KL22AA9	KL22ABA	KL22ABB

Mechanical seal Kit

*20	Materials ->	Q1BEGG	Q1Q1EGG	Q1BVGG	Q1Q1VGG	Q1CTGG	Q1Q1TGG			
	Mechanical seal + housing OR	KL01AC0	KL01AC1	KL01AC2	KL01AC3	KL01AC5	KL01AC6	Single Seal D:22 : All Versions		

Wear parts, pump body piston, impeller halt

		-> SV6603	-> SV6606	-> SV6608
		1 bearing no piston	2 bearing piston	3 bearing piston
*34	Wear Parts kit	KL35ABL	KL35ABN	KL35ABQ
14	Pump body	PN16	151351080	151351100
		PN25(40)	-	151351130
28	Piston	EPR	-	KL41AAC
		FPM	-	KL41AAF
		FEP	-	KL41AAU
29	Impeller locking	KL41AAG	-	-

Common, Single Unit and Kit

4	OR	EPR	KL34AAF	
		FPM	KL34AAG	
		FEP	KL34AAH	
5	Seal housing	160150260		
6	Upper head	161453760		
7	Spring	169100210		
8	Reduced impeller	150702840		
9	Full impeller	150702760		
15	Diffuser carbon bush	152801820		
16	Final diffuser	152801750		
*21	OR	EPR	KL02AAC	All Pumps
		FPM	KL02AAF	
		FEP	KL02AA9	
30	Bush seal	KL41AAH		
32	Support tungsten bush SVF	KL16AAC		
*33	Diffuser tungsten bush	KL05AC8	From SV6604, included	

Motor, Coupling, Motor Adaptor

**1	kW >	4.0	5.5	7.5	11.0	15.0	18.5	22.0	30.0	37.0	45.0
	Motor 2P, 3~ >	107106329	107106337	107106347	107106397	107106421	107106431	107106447	130643901	130643911	130643921
2	Adaptor	161453620	161453640	161453640	161453660	161453660	161453660	161453660	161453680	161453680	161453700
26	Coupling	KL10AAB	KL10AAC	KL10AAC	KL10AAD	KL10AAD	KL10AAD	KL10AAE	KL10AAF	KL10AAF	KL10AAF
27	Coupling guard	KL33AAA	KL33AAB	KL33AAB	KL33AAC	KL33AAC	KL33AAC	KL33AAC	KL33AAC	KL33AAC	KL33AAC

- * Recommended spares
- * Motor spares: see motor lists



ITT

Lowara

Production date > Mar04

SV66F 4 Pole

ELP 4 P, 3 ~								
F - Version	SV6601F4	SV6602F4	SV6603F4	SV6604F4	SV6605F4	SV6606F4	SV6607F4	SV6608F4
3 ~>	102704521	102704551	102704581	102704611	102704641	102704671	102704701	102704731
Mot. power, kW ->	1,1	1,5	2,2	3,0	4,0	4,0	5,5	5,5
Stages number	1	2	3	4	5	6	7	8

Single Unit and Kit

10	Stages >	1	2	3	4	5	6	7	8
	ST PN 25 ->	166442080	166442090	166442100	166442110	166442120	166442130	166442140	166442150
	ST PN 40 ->	156408750	156408760	156408770	156408780	156408790	156408800	156408810	156408820
11	Shaft	165045780	165045790	165045800	165045810	165045820	165045830	165045840	165045850
31	Tie rods SVF Kit	KL22AA5	KL22AA6	KL22AA7	KL22AA8	KL22AAH	KL22AA9	KL22ABA	KL22ABB

Mechanical seal Kit

*20	Materials ->	Q1BEGG	Q1Q1EGG	Q1BVG	Q1Q1VGG	Q1CTGG	Q1Q1TGG	
	Mechanical seal + housing OR	KL01AC0	KL01AC1	KL01AC2	KL01AC3	KL01AC5	KL01AC6	Single Seal D:22 : All Versions

Wear parts, pump body impeller halt

	-> SV6603	-> SV6606	-> SV6608
	1 bearing no piston	2 bearing no piston	3 bearing no piston
*34	Wear parts kit	KL35ABL	KL35ABM
14	Pump body PN16	151351080	151351080
29	Impeller locking	KL41AAG	KL41AAG

Common, Single Unit and Kit

4	Plugs	EPR	KL34AAF	
		FPM	KL34AAG	
		FEP	KL34AAH	
5	Seal housing		1610150260	
6	Upper head		161453760	
7	Spring		169100210	
8	Reduced impeller		150702840	
9	Full impeller		150702760	
15	Diffuser carbon bush		152801820	
16	Final diffuser		152801750	
	OR	EPR	KL02AAC	
		FPM	KL02AAF	
		FEP	KL02AA9	All Pumps
*21	Bush seal		KL41AAH	
32	Support tungsten bush SVF		KL16AAC	
*33	Diffuser tungsten bush		KL05AC8	From SV6604, included

Motor, Coupling, Motor Adaptor

**1	kW >	1,1	1,5	2,2	3,0	4,0	5,5
	Motor 4P, 3~>	107106613	107106623	107106653	107106663	107106683	107106711
2	Adaptor	161453600	161453600	161453620	161453620	161453620	161453640
26	Coupling	KL10AAA	KL10AAA	KL10AAB	KL10AAB	KL10AAB	KL10AAC
27	Coupling guard	KL33AAA	KL33AAA	KL33AAB	KL33AAB	KL33AAB	KL33AAC

Pump stack, EPR

Stages >	1	2	3	4	5	6	7	8
----------	---	---	---	---	---	---	---	---

Articles with production to Be Defined at February 2007

- * Recommended spares
- * Motor spares: see motor lists



ITT

Lowara

SV92F 2 Pole

Production date > Mar04

ELP 2 P, 3 ~										
F - Version 3 ~ >	SV9201/1F	SV9201F	SV9202/2F	SV9202F	SV9203/2F	SV9203F	SV9204/2F	SV9204F	SV9205/2F	SV9205F
	102706011	102706021	102706031	102706041	102706051	102706061	102706071	102706081	102706091	102706101
	SV9206/2F	SV9206F	SV9207/2F							
3 ~ >	102706111	102706121	102706131							
Motor power kW >	5.5	7.5	11.0	15.0	18.5	22.0	30.0	30.0	37.0	37.0
	45.0	45.0	45.0							
Stages Number	1	1	2	2	3	3	4	4	5	5
	6	6	7							

Single Unit and Kit

10	Stages >	1	2	3	4	5	6	7
	Sleeve, PN25	166442080	166442090	166442100	166442110	166442120	166442130	166442140
	Sleeve, PN40	156408750	156408760	156408770	156408780	156408790	156408800	156408810
11	Shaft	165045780	165045790	165045800	165045810	165045820	165045830	165045840
31	Tie rods SVF Kit	KL22AA5	KL22AA6	KL22AA7	KL22AA8	KL22AAH	KL22AA9	KL22ABA

Mechanical seal Kit

Materials ->		Q1BEGG	Q1Q1EGG	Q1BVGG	Q1Q1VGG	Q1CTGG	Q1Q1TGG	
*20	Mechanical seal + housing OR	KL01AC0	KL01AC1	KL01AC2	KL01AC3	KL01AC5	KL01AC6	Single Seal D:22 : All Versions

Wear parts, pump body

		-> SV9202	-> SV9204	-> SV9207
piston, impeller halt		1 bearing no piston	2 bearing piston	3 bearing piston
*34	Wear parts Kit	KL35ABR	KL35ABT	KL35ABV
14	Pump body	PN16	151351080	-
		PN25 (40)	-	151351100
28	Piston	EPR	-	KL41AAC
		FPM	-	KL41AAF
		FEP	-	KL41AAU
29	Impeller locking	KL41AAG	-	-

Common, Single Unit and Kit

4	Plugs	EPR	KL34AAF	
		FPM	KL34AAG	
		FEP	KL34AAH	
5	Seal housing	160150260		
6	Upper head	161453760		
7	Spring	169100210		
8	Reduced impeller	150702850		
9	Full impeller	150702770		
15	Diffuser carbon bush	152801830		
16	Final diffuser	152801750		
*21	OR	EPR	KL02AAC	All Pumps
		FPM	KL02AAF	
		FEP	KL02AA9	
30	Bush seal	KL41AAH		
32	Support tungsten bush SVF	KL16AAD		
*33	Diffuser tungsten bush	KL05AC9		
		From SV9204, included		

Motor, Coupling, Motor Adaptor

**1	kW ->	5.5	7.5	11.0	15.0	18.5	22.0	30.0	37.0	45.0
	Mot. 2P, 3~ ->	107106337	107106347	107106397	107106421	107106431	107106447	130643901	130643911	130643921
2	Adaptor	161453640	161453640	161453660	161453660	161453660	161453660	161453680	161453680	161453700
26	Coupling	KL10AAC	KL10AAC	KL10AAD	KL10AAD	KL10AAD	KL10AAE	KL10AAF	KL10AAF	KL10AAF
27	Coupling guard	KL33AAB	KL33AAB	KL33AAC	KL33AAC	KL33AAC	KL33AAC	KL33AAC	KL33AAC	KL33AAC

- * Recommended spares
- * Motor spares: see motor lists



ITT

Lowara

Production date > Mar04

SV92F 4 Pole

ELP 4 P, 3 ~								
F - Version	SV9201F4	SV9202F4	SV9203F4	SV9204F4	SV9205F4	SV9206F4	SV9207F4	SV9208F4
3 ~ >	102706521	102706551	102706581	102706611	102706611	102706671	102706701	102706731
Mot. power, kW >	1,1	2,2	3,0	4,0	5,5	5,5	7,5	7,5
Stages Number >	1	2	3	4	5	6	7	8

Single Unit and Kit

10	Stages >	1	2	3	4	5	6	7	8
	Sleeve, PN25	166442080	166442090	166442100	166442110	166442120	166442130	166442140	166442150
	Sleeve, PN40	156408750	156408760	156408770	156408780	156408790	156408800	156408810	156408820
11	Shaft	165045780	165045790	165045800	165045810	165045820	165045830	165045840	165045850
31	Tie rods SVF Kit	KL22AA5	KL22AA6	KL22AA7	KL22AA8	KL22AAH	KL22AA9	KL22ABA	KL22ABB

Mechanical seal Kit

*20	Materials ->	Q1BEGG	Q1Q1EGG	Q1BVGG	Q1Q1VGG	Q1CTGG	Q1Q1TGG	
	Mechanical seal + housing OR	KL01AC0	KL01AC1	KL01AC2	KL01AC3	KL01AC5	KL01AC6	Single Seal D:22 : All Versions

Wear parts, pump body impeller halt

		-> SV9203	-> SV9206	-> SV9208
		1 bearing no piston	2 bearing no piston	3 bearing no piston
*34	Wear parts Kit	KL35ABR	KL35ABS	KL35ABU
14	Pump body PN16	151351080	151351080	151351080
29	Impeller locking	KL41AAG	KL41AAG	KL41AAG

Common, Single Unit and Kit

4	Plugs	EPR	KL34AAF	
		FPM	KL34AAG	
		FEP	KL34AAH	
5	Seal housing		1600150260	
6	Upper head		161453760	
7	Spring		169100210	
8	Reduced impeller		150702850	
9	Full impeller		150702770	
15	Diffuser carbon bush		152801830	
16	Final diffuser		152801750	
	OR	EPR	KL02AAC	
		FPM	KL02AAF	
		FEP	KL02AA9	All Pumps
*21	Bush seal		KL41AAH	
30	Support tungsten bush SVF		KL16AAD	
*33	Diffuser tungsten bush		KL05AC9	From SV9204, included

Motor, Coupling, Motor Adaptor

**1	kW ->	1,1	2,2	3,0	4,0	5,5	7,5
	Mot. 4P, 3~ ->	107106653	107106663	107106683	107106711	107106711	107106721
2	Adaptor	161453600	161453620	161453620	161453620	161453640	161453640
26	Coupling	KL10AAB	KL10AAB	KL10AAB	KL10AAB	KL10AAC	KL10AAC
27	Coupling guard	KL33AAB	KL33AAB	KL33AAB	KL33AAB	KL33AAC	KL33AAC

* Recommended spares

* Motor spares: see motor lists

SV33-92F_5_Mar04_EdC