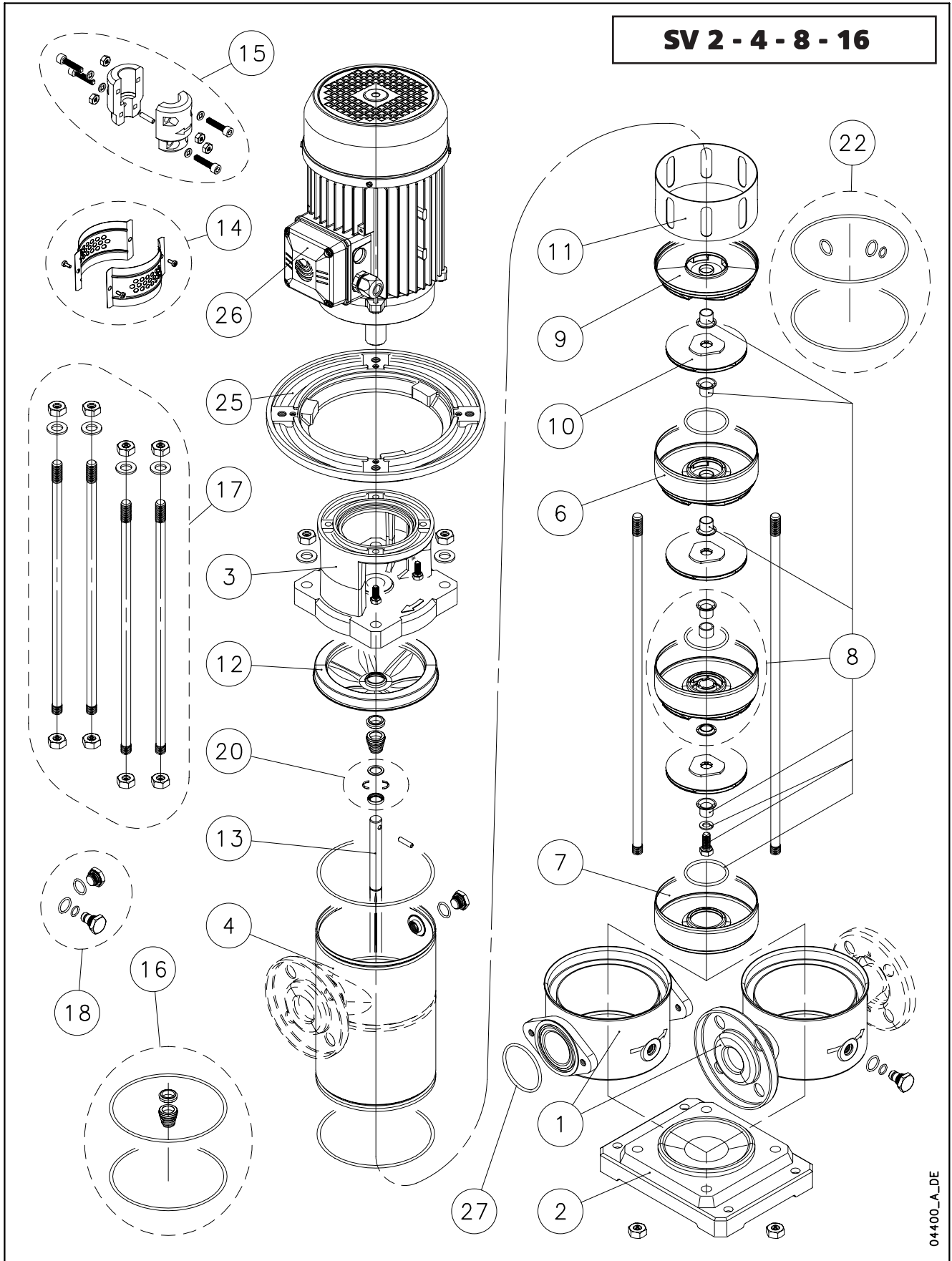




ITT

Lowara

SV 2 - 4 - 8 - 16



04400_A_DE



N.	Descrizione It	Description en	Description fr	Beschreibung de	Descripción es	Descrição pt
1	Corpo pompa	Pump body	Corps de pompe	Pumpengehäuse	Caja bomba	Corpo da bomba
2	Base	Basement	Base	Untersatz	Base	Base
3	Lanterna	Adaptor	Lanterne	Passfeder	Adaptador	Adaptador
4	Camicia	Sleeve	Chemise	Gehäuse	Camisa	Camisa
6	Diffusore	Diffuser	Diffuseur	Diffusor	Difusor	Difusor
7	Scatola stadio iniziale	Initial stage box	Box premier étage	Erste Stufe Diffusor	Caja etapa inicial	Carcaça primeira célula
8	Kit parti di usura	Wear parts kit	Kit parties d'usure	Bausatz Verschleißteile	Kit piezas de desgaste	Kit peças desgastáveis
9	Diffusore finale	Last stage diffuser	Diffuseur dernier étage	End Diffusor	Difusor final	Difusor final
10	Girante	Impeller	Roue	Laufrad	Rodete	Impulsor
11	Distanziale finale	Last stage spacer	Entretoise dernier étage	End Distanzstück	Espaciador final	Distancial final
12	Disco porta tenuta	Seal housing plate	Disque de support garniture	Dichtungsgehäusescheibe	Disco de alojamiento sello	Disco porta-vedante
13	Albero	Shaft	Arbre	Welle	Árbol	Veio
14	Kit protezione giunto	Coupling guard kit	Kit protection manchon	Satz Kupplungsschutz	Kit protección junta	Kit protecção junta
15	Kit coppia di semigiunti	Pair of half coupling kit	Kit paire de demi-manchons	Kupplungssatz	Kit par de semijuntas	Kit par de semi-juntas
16	Kit tenuta meccanica + OR	Mechanical seal + OR kit	Kit garniture mec. + joints toriques	Gleitringdichtung + OR	Kit sello mec. + junta tórica	Kit vedante mec. + OR
17	Kit tiranti	Tie rods kit	Kit tirants	Zugstangensatz	Kit tirantes	Kit tirantes
18	Tappi	Plugs	Bouchons	Schrauben	Tapones	Tampões
20	Kit arresto giranti	Impellers stop kit	Kit arrêt roues	Satz Laufradanschlag	Kit parada de rodetes	Kit paragem impulsores
22	Kit guarnizioni OR	O ring kit	Kit joints toriques	O-Ring-Dichtungssatz	Kit juntas tóricas	Kit guarnições OR
25	Flangia motore	Motor flange	Bride moteur	Motorflansch	Brida motor	Flange motor
26	Motore	Motor	Moteur	Motor	Motor	Motor
27	OR flange ovali	oval flanges OR	Joints toriques brides ovales	Ovale Flanges O-Ring	Aro tórico bridas ovales	OR flanges ovais
N.	Descrizione nl	Περιγραφή el	Açıklama tr	Kuvaus fi	Описание ru	Opis pl
1	Pomphuis	Σώμα αντλίας	Pompa gövdesi	Pumpun runko	Корпус насоса	Korpus pompy
2	Pompvoet	Βάση	Kaide	Perusta	Основание	Podstawa
3	Lantaarnstuk	Μπρακέτο	Adaptör	Sovitin	Крестовина	Piasta
4	Mantel	Κέλυφος	Gömlük	Muhvi	Муфта	Plaszcz
6	Diffusor	Πτερύγιο εκτροπής	Difüzör	Diffuusori	Диффузор	Dyfuzor
7	Kast eerste trap	Πρώτο πτερύγιο εκτροπής	ilk kademe kutusu	Ensivaiheen laatikko	Коробка начальной стадии	Skrzynka początkowego stadium
8	Set slijtonderdelen	Σετ δακτυλίων τριβής	Aşınma parçaları kiti	Kulumisiosien sarja	Комплект изнашиваемых частей	Zestaw części podl. zużyciu
9	Diffusor laatste trap	Τελευταίο πτερύγιο εκτροπής	Son difüzör	Loppuvaiheen diffusori	Конечный диффузор	Dyfuzor końcowy
10	Waaier	Πτερύγιο	Pompa çarkı	Juoksuyöriä	Рабочее колесо	Wirnik
11	Afstandstuk laatste trap	Τελικός αποστάτης	Son ara halkası	Loppuvaiheen välilevy	Конечная распорная деталь	Końcowa część dystansowa
12	Dichtingssteunplaat	Δίσκος μηχανικού στυποθλίπτη	Sızdırmazlık elemanı diskisi	Tiivisteen kannatuslevy	Пластина держателя прокладки	Tarcza uszczelki
13	As	Άξονας	Mil	Akseli	Вал	Wał
14	Set koppelingsbescherming	Καλύμματα προστασίας σταθερού συνδέσμου	Manşon koruma kiti	Liitoksen suojuussarja	Комплект защиты муфт	Zestaw ochronny złącza
15	Set koppelingshelften	Σετ σταθερού συνδέσμου	Çift yarım manşon kiti	Liitinsarja	Комплект пары полумуфт	Zestaw pary półzłączy
16	Set mech. asafdichting + O-ring	Μηχανικός στυποθλίπτης και ροδέλες στεγανοποίησης	Mekanik salmastra kiti + O-Ring	Mek. tiiviste + O-rengassarja	Комплект мех.прокладки + OR	Zestaw uszcz.mech. + OR
17	Set trekstangen	Σετ ράβδων σύνδεσης	Gergi çubuğu kiti	Vetotankosarja	Комплект тяг	Zestaw napinaczy
18	Pluggen	Σετ ταπών	Tapalar	Tulpat	Пробки	Zatyczki
20	Waaierstopset	Σετ ασφάλισης πτερυγίων	Pompa çarklarını durdurma kiti	Juoksuyörien pysäytysarja	Комплект останова рабочих колес	Zestaw do zatrzymywania wirników
22	Set O-ringafdichtingen	Σετ ροδέλες στεγανοποίησης	O-Ring kiti	O-rengassarja	Комплект кольцевых прокладок OR	Zestaw uszczeliek OR
25	Motorflens	Μπρακέτο κινητήρα	Motor flanşı	Moottorin laippa	Фланец двигателя	Końnierz silnika
26	Motor	Πλήρης κινητήρας	Motor	Moottori	Двигатель	Silnik
27	O-ring ovale flenzen	Ροδέλες στεγανοποίησης οβάλ φλαντζών	Oval flanş O-Ringi	Soikeiden vastalaippojen O-renkaat	Кольцевые прокладки OR овальных фланцев	Pierścienie OR kołnierzy owalnych

SV2N 2 Pole

Production date > Jan00

ELP 2 P										
N - Version	SV202N03	SV203N03	SV204N05	SV205N07	SV206N07	SV207N11	SV208N11	SV209N11	SV211N15	SV212N15
1 ~ >	107390274	107390284	107390294	107390304	107390314	107390324	107390334	107390344	107390364	107390374
3 ~ >	107390024	107390034	107390044	107390054	107390064	107390074	107390084	107390094	107390114	107390124
	SV214N22	SV216N22	SV218N22	SV220N30	SV222N30	SV224N30				
1 ~ >	102540394	102540414	102540434							
3 ~ >	107390144	107390164	107390184	102540204	102540224	102540244				
Motor power	0,37	0,37	0,55	0,75	0,75	1,1	1,1	1,1	1,5	1,5
kw ->	2,2	2,2	2,2	3,0	3,0	3,0				
Stages number	2	3	4	5	6	7	8	9	11	12
	14	16	18	20	22	24				

Single Unit and Kit

4	Sleeve	156403730	156403740	156403750	156403760	156403770	156403780	156403790	156403800	156403820	156403830
	N- Version	156403850	156403870	156403890	156403910	156403930	156403950				
13	Shaft 316 S.S	165041820	165041830	165041840	165041850	165041860	165041870	165041880	165041890	165041910	165041920
		165041940	165041960	165041980	165042000	165042010	165042020				
17	Tie rods SVN Kit	KL22ACL	KL22ACM	KL22ACN	KL22ACP	KL22ACQ	KL22ACR	KL22ACS	KL22ACT	KL22ACU	KL22ACV
		KL22ACX	KL22ACZ	KL22AC0	KL22AC1	KL22AC2	KL22AC3				
Pump stack SV2		102997704	102997714	102997724	102997734	102997744	102997754	102997764	102997774	102997784	102997794
316 S.S. - EPR		102997814	102997834	102997844	102997854	102997864	102997874				

Mechanical seal Kit

*16	Mech seal + sleeve OR	Materials ->	Q1BEGG	Q1Q1EGG	Q1BVGG	Q1Q1VGG	Q1CTGG	Q1Q1TGG	Single Seal D:12 : SV2-4, All Versions		
			KL01AAD	KL01AC7	KL01AAG	KL01AC9	KL01ADB	KL01ADD			
Wear Parts Kit			-> SV208	-> SV216	-> SV220	-> SV224					
			1 bearing	2 bearing	3 bearing	4 bearing					
*8	Wear parts incl. OR, EPR	KL35AAP	KL35AAQ	KL35AAR	KL35AAS						
	Wear parts incl. OR, FPM	KL35AAZ	KL35AA0	KL35AA1	KL35AA2						
	Wear parts incl. OR, FEP	KL35AAC	KL35AAD	KL35AAE	KL35AAF						

Common, Single Unit and Kit

1	Pump body	151301290	-> SV2 N
2	Base	161430330	
6	Diffuser	152800900	
7	Initial stage box	152801060	
9	Final diffuser	152800990	
10	Impeller SVN	150702160	Example. SV207N11M = SV2, 7 Stages, 1,1 kW, 1 ~
12	Seal housing	160101270	
18	Plugs	EPR FPM FEP	KL34AAK KL34AAL KL34AAM
			All Versions
20	Impellers retainer	KL41AAV	All Versions
	OR	EPR FPM FEP	KL02AA1 KL02AA2 KL02AA3
*22			All Versions, wear not included

Motor, Coupling, Motor Adaptor

**26	kw >	0,37	0,55	0,75	1,1	1,5	2,2	3,0
	Motor 2P, 1 ~ >	107230020	107230040	107230100	107230120	107230180	107106273	
	Motor 2P, 3 ~ >	107230060	107230080	107230090	107230160	107230200	107230220	107106255
3	Adaptor	161452701	161452701	161452711	161452711	161452721	161452721	161452731
14	Coupling guard	KL33AAD	KL33AAD	KL33AAE	KL33AAE	KL33AAF	KL33AAF	KL33AAG
15	Coupling	KL10ABC	KL10ABC	KL10ABD	KL10ABD	KL10ABE	KL10ABE	KL10ABF

* Recommended spares

** Motor spares: see motor lists



ITT

Lowara

Production date > Jan00

SV2N 4 Pole

ELP 4 P, 3 ~											
N - Version	SV203N024	SV206N024	SV209N024	SV212N024	SV214N024	SV216N024	SV218N034	SV220N034	SV222N034	SV224N034	
3 ~ >	107391504	107391514	107391524	107391534	107391544	107391554	107391564	107391574	107391584	107391594	
Mot. power, kW >	0,25	0,25	0,25	0,25	0,25	0,25	0,37	0,37	0,37	0,37	
Stages number	3	6	9	12	14	16	18	20	22	24	

Single Unit and Kit

4	Sleeve N-Version	156403740	156403770	156403800	156403830	156403850	156403870	156403890	156403910	156403930	156403950
13	Shaft 316 S.S	165041830	165041860	165041890	165041920	165041940	165041960	165041980	165042000	165042010	165042020
17	Tie rods SVN	KL22ACM	KL22ACQ	KL22ACT	KL22ACV	KL22ACX	KL22ACZ	KL22ACO	KL22AC1	KL22AC2	KL22AC3
Pump stack SV2 316 S.S. - EPR		102997714	102997744	102997774	102997794	102997814	102997834	102997844	102997854	102997864	102997874

Mechanical seal Kit

*16	Materials ->	Q1BEGG	Q1Q1EGG	Q1BVGG	Q1Q1VGG	Q1CTGG	Q1Q1TGG				
	Mech seal + sleeve OR	KL01AAD	KL01AC7	KL01AAG	KL01AC9	KL01ADB	KL01ADD	Single Seal D:12 : SV2-4, All Versions			

Wear Parts Kit

		-> SV208	-> SV216	-> SV220	-> SV224
		1 bearing	2 bearing	3 bearing	4 bearing
*8	Wear parts incl. OR, EPR	KL35AAP	KL35AAQ	KL35AAR	KL35AAS
	Wear parts incl. OR, FPM	KL35AAZ	KL35AA0	KL35AA1	KL35AA2
	Wear parts incl. OR, FEP	KL35AAC	KL35AAD	KL35AAE	KL35AAF

Common, Single Unit and Kit

1	Pump body	151301290	-> SV2N
2	Base	161430330	
6	Diffuser	152800900	
7	Initial stage box	152801060	
9	Final diffuser	152800990	
10	Impeller SVN	150702160	Example. SV206N024 = SV2, 6 Stages, 0,25 kW, 4 Pole
12	Seal housing	160101270	
18	Plugs	EPR FPM FEP	KL34AAK KL34AAL KL34AAM All Versions
20	Impellers retainer	KL41AAV	All Versions
*22	OR	EPR FPM FEP	KL02AA1 KL02AA2 KL02AA3 All Versions, wear not included

Motor, Coupling, Motor Adaptor

	kW >	0,25	0,37
*26	Motor 4P, 3 ~ >	107230640	107230700
3	Adaptor	161452701	161452701
14	Coupling guard	KL33AAD	KL33AAD
15	Coupling	KL10ABC	KL10ABC

Parts SVN 2-4 with less impellers

-> both SV2N el.pumps 2 - 4 Pole

	Spacer replacing impeller	162502440
	316 S.S. Final diffuser flange	161002530

Parts for SV2 Victaulic, SV2V

	Pump body ports Victaulic	151301550	Code SVN with extension XXXPA
2	Base	161430330	

Parts for SV2 Clamp, SV2C

	Pump body ports Clamp	251304420	Code SVN with extension XXXPBN
2	Base	161430320	
		161430330	For DPS Pumps Only

Since Mar02 ELP.have New code (10739*) having New motors without tie-roads.

Since Oct03 mechanical seal replaces Widia faces with SiC faces.

* Recommended spares

** Motor spares: see motor lists

SV2-16N_5_Jan00_EdC



ITT

Lowara

Production date > Jan00

SV4N 2 Pole

ELP 2 P		SV402N03	SV403N05	SV404N07	SV405N11	SV406N11	SV407N11	SV408N15	SV409N15	SV411N22	SV413N22
1 ~ >		107390774	107390784	107390794	107390804	107390814	107390824	107390834	107390844	102540864	102540884
3 ~ >		107390524	107390534	107390544	107390554	107390564	107390574	107390584	107390594	107390614	107390634
		SV414N30	SV416N30	SV418N30	SV420N40	SV422N40	SV424N40				
3 ~ >		102540644	102540664	102540684	102540704	102540724	102540744				
Motor power		0,37	0,55	0,75	1,1	1,1	1,1	1,5	1,5	2,2	2,2
kW ->		3,0	3,0	3,0	4,0	4,0	4,0				
Stages number		2	3	4	5	6	7	8	9	11	13
		14	16	18	20	22	24				

Single Unit and Kit

4	Sleeve N Version	156403730	156403740	156403750	156403760	156403770	156403780	156403790	156403800	156403820	156403840
		156403850	156403870	156403890	156403910	156403930	156403950				
13	Shaft 316 S. S.	165041820	165041830	165041840	165041850	165041860	165041870	165041880	165041890	165041910	165041930
		165041940	165041960	165041980	165042000	165042010	165042020				
17	Tie rods SVN	KL22ACL	KL22ACM	KL22ACN	KL22ACP	KL22ACQ	KL22ACR	KL22ACS	KL22ACT	KL22ACU	KL22ACW
		KL22ACX	KL22ACZ	KL22AC0	KL22AC1	KL22AC2	KL22AC3				
Pump stack SV4		102997904	102997914	102997924	102997934	102997944	102997954	102997964	102997974	102997984	102998004
316 S.S. - EPR		102998014	102998034	102998044	102998054	102998064	102998074				

Mechanical seal Kit

*16	Materials ->	Q1BEGG	Q1Q1EGG	Q1BVG	Q1Q1VGG	Q1CTGG	Q1Q1TGG	Single Seal D:12 : SV 2-4, All Versions			
	Mech seal + sleeve OR	KL01AAD	KL01AC7	KL01AAG	KL01AC9	KL01ADB	KL01ADD				

Wear parts

		- > SV408	- > SV416	- > SV420	- > SV424
		1 bearing	2 bearing	3 bearing	4 bearing
*8	Wear parts incl. OR, EPR	KL35AAP	KL35AAQ	KL35AAR	KL35AAS
	Wear parts incl. OR, FPM	KL35AAZ	KL35AAO	KL35AA1	KL35AA2
	Wear parts incl. OR, FEP	KL35AAC	KL35AAD	KL35AAE	KL35AAF

Common, Single Unit and Kit

1	Pump body	151301300	-> SV4 N
2	Base	161430330	
6	Diffuser	152800900	
7	Initial stage box	152801060	
9	Final diffuser	152800990	
10	Impeller SVN	150702170	Example. SV407N11M = SV4, 7 Stages, 1,1 kW, 1 ~
12	Seal housing	160101270	
18	Plugs	EPR FPM FEP	KL34AAK KL34AAL KL34AAM
20	Impellers retainer	KL41AAV	
	OR	EPR FPM FEP	KL02AA1 KL02AA2 KL02AA3
*22			All Versions, wear OR not included

**26	kW ->	0,37	0,55	0,75	1,1	1,5	2,2	3,0	4,0
	Motor 2P, 1 ~ >	107230020	107230040	107230100	107230120	107230180	107106273		
	Motor 2P, 3 ~ >	107230060	107230080	107230090	107230160	107230200	107230220	107106255	107106329
3	Adaptor	161452701	161452701	161452711	161452711	161452721	161452721	161452731	161452731
14	Coupling guard	KL33AAD	KL33AAD	KL33AAE	KL33AAE	KL33AAF	KL33AAF	KL33AAK	KL33AAK
15	Coupling	KL10ABC	KL10ABC	KL10ABD	KL10ABD	KL10ABE	KL10ABE	KL10ABF	KL10ABF

* Recommended spares

** Motor spares: see motor lists

SV2-16N_5_Jan00_EdC



ITT

Lowara

Production date > Jan00

SV4N 4 Pole

ELP 4 P, 3 ~										
3 ~ >	SV403N024	SV406N024	SV409N024	SV412N024	SV414N034	SV416N034	SV418N034	SV420N054	SV422N054	SV424N054
	107391624	107391634	107391644	107391654	107391664	107391674	107391684	107391694	107391704	107391714
Motor power	3	6	9	12	14	16	18	20	22	24
Stages number	0,25	0,25	0,25	0,25	0,37	0,37	0,37	0,55	0,55	0,55

Single Unit and Kit

4	Sleeve N-Version	156403740	156403770	156403800	156403830	156403850	156403870	156403890	156403910	156403930	156403950
13	Shaft 316 S. S.	165041830	165041860	165041890	165041920	165041940	165041960	165041980	165042000	165042010	165042020
17	Tie rods SVN	KL22ACM	KL22ACQ	KL22ACT	KL22ACV	KL22ACX	KL22ACZ	KL22AC0	KL22AC1	KL22AC2	KL22AC3
Pump stack SV4		102997914	102997944	102997974	TBD	102998014	102998034	102998044	102998054	102998064	102998074
316 S.S. - EPR											

Mechanical seal Kit

	Materials ->	Q1BEGG	Q1Q1EGG	Q1BVGG	Q1Q1VGG	Q1CTGG	Q1Q1TGG	
*16	Mech seal + sleeve OR	KL01AAD	KL01AC7	KL01AAG	KL01AC9	KL01ADB	KL01ADD	Single Seal D:12 : SV 2-4, All Versions

Wear parts

		- > SV408	- > SV416	- > SV420	- > SV424
		1 bearing	2 bearing	3 bearing	4 bearing
*8	Wear parts incl. OR, EPR	KL35AAP	KL35AAQ	KL35AAR	KL35AA5
	Wear parts incl. OR, FPM	KL35AAZ	KL35AA0	KL35AA1	KL35AA2
	Wear parts incl. OR, FEP	KL35AAC	KL35AAD	KL35AAE	KL35AAF

Common, Single Unit and Kit

1	Pump body	151301300	-> SV4 N
2	Base	161430330	
6	Diffuser	152800900	
7	Initial stage box	152801060	
9	Final diffuser	152800990	
10	Impeller SVN	150702170	Example. SV406N024 = SV4, 6 Stages, 0,25 kW, 4 Pole
12	Seal housing	160101270	
18	Plugs	EPR	KL34AAK
		FPM	KL34AAL
		FEP	KL34AAM
20	Impellers retainer	KL41AAV	
*22	OR	EPR	KL02AA1
		FPM	KL02AA2
		FEP	KL02AA3
			All Versions, wear OR not included

Motor, Coupling, Motor Adaptor

**26	kW >	0,25	0,37	0,55
	Motor 4P, 3 ~->	107230640	107230700	107230760
3	Adaptor	161452701	161452701	161452711
14	Coupling guard	KL33AAD	KL33AAD	KL33AAE
15	Coupling	KL10ABC	KL10ABC	KL10ABD

Parts SVN 2-4 with less impellers

-> both SV4N el.pumps 2 - 4 Pole

	Spacer replacing impeller	162502440
	316 S.S. Final diffuser flange	161002530

Parts for SV4 Victaulic, SV4V

	Pump body ports Victaulic	151301550	Code SVN with extension XXXPA
2	Base	161430330	

Parts for SV4 Clamp, SV 4C

	Pump body ports Clamp	251304420	Code SVN with extension XXXPBN
2	Base	161430320	
		161430330	For DPS Pumps Only

Since Mar02 ELP.have New code 10739*) having New motors without tie-rods.

Since Oct03 mechanical seal replaces Widia faces with SiC faces.

* Recommended spares

** Motor spares: see motor lists

SV2-16N_5_Jan00_EdC



ITT

Lowara

Production date >Jan00

SV8N 2 Pole

ELP 2P										
	SV802N11	SV803N15	SV804N22	SV805N22	SV806N30	SV808N40	SV809N40	SV811N55	SV812N55	SV814N75
1~>	107391224	107391234	102541244	102541254						
3~>	107391024	107391034	107391044	107391054	102541064	102541084	102541094	102541114	102541124	102541144
	SV816N75									
3~>	102541164									
Motor Power kW >	1,1	1,5	2,2	2,2	3,0	4,0	4,0	5,5	5,5	7,5
Stages number	2	3	4	5	6	8	9	11	12	14
	16									

Single Unit and Single Kit

4	Sleeve N-Version	156404120 156404260	156404130	156404140	156404150	156404160	156404180	156404190	156404210	156404220	156404240
		165042220	165042230	165042240	165042250	165042260	165042280	165042290	165042310	165042320	165042340
13	Shaft 316 S.S.	165042360									
17	Tie rods SVN	KL22AC4 KL22ADK	KL22AC5	KL22AC6	KL22AC7	KL22AC8	KL22ADA	KL22ADB	KL22ADD	KL22ADE	KL22ADG
Imp. pack SV16 316 S S , EPR OR		102998104 102998244	102998124	102998134	102998144	102998164	102998174	102998184	102998194	102998204	102998224

Mechanical Seal Kit

*16	Mech seal + sleeve OR	Materials-> KL01AAE	Q1BEGG KL01AC8	Q1Q1EGG KL01AAH	Q1BVGG KL01ADA	Q1Q1VGG KL01ADC	Q1CTGG KL01ADE	Q1Q1TGG	Single Seal D:16: SV 8-16, All Versions		
-----	-----------------------	------------------------	-------------------	--------------------	-------------------	--------------------	-------------------	---------	---	--	--

Wear parts

		->SV807	->SV812	->SV816
		1 bearing	2 bearing	3 bearing
*8	Wear parts incl. OR,EPR	KL35AAT	KL35AAU	KL35AAV
	Wear parts incl. OR,FPM	KL35AA3	KL35AA4	KL35AA5
	Wear parts incl.OR, FEP	KL35AAG	KL35AAH	KL35AAK

Common, Single Unit and Kit

1	Pump body	151301330	-> SV8N
2	Base	161430340	
6	Diffuser	152800910	
7	Initial stage box	152801070	-> SV8N
9	Final diffuser	152801000	
10	Impeller SVN	150702180	Example. SV804N22M = SV8, 4 Stages, 2,2 kW, 1~
12	Seal housing	160101280	
18	Plugs	EPR KL34AAK FPM KL34AAL FEP KL34AAM	
20	Impellers retainer	KL41AAW	
*22	OR	EPR KL02AA4 FPM KL02AA5 FEP KL02AA6	All Versions, wear OR not included

**26	kW >	1,1	1,5	2,2	3,0	4,0	5,5	7,5
	Motor 2 P, 1~ >	107230120	107230180	107106273				
	Motor 2 P, 3 ~>	107230160	107230200	107230220	107106255	107106329	107106337	107106347
3	Adaptor	161452741	161452751	161452751	161452761	161452761	161452771	161452771
14	Coupling guard	KL33AAH	KL33AAG	KL33AAG	KL33AAK	KL33AAK	KL33AAL	KL33AAL
15	Coupling	KL10ABG	KL10ABH	KL10ABH	KL10ABK	KL10ABK	KL10ABL	KL10ABL

* Recommended spares

** Motor spares: see motor lists

SV2-16N_5_Jan00_Edc

SV8N 4 Pole

ELP 4 P,3 ~	SV804N054	SV806N054	SV808N054	SV810N054	SV812N074	SV814N074	SV815N114	SV816N114
3~>	107391744	107391754	107391764	107391774	107391784	107391794	102542574	102542584
Mot.Power, kW>	0,55	0,55	0,55	0,55	0,75	0,75	1,1	1,1
Stages number	4	6	8	10	12	14	15	16

Single Unit and Single Kit

4	Sleeve, N-Version	156404140	156404160	156404180	156404200	156404220	156404240	156404250	156404260
13	Shaft 316 S.S.	165042240	165042260	165042280	165042300	165042320	165042340	165042350	165042360
17	Tie rods SVN	KL22AC6	KL22AC8	KL22ADA	KL22ADC	KL22ADE	KL22ADG	KL22ADH	KL22ADK
Imp. pack SV16 316 S S , EPR OR		102998134	102998164	102998174	102998184	102998204	102998224	TBD	102998244

Common, Single Unit and Kit

1	Pump body	151301330	-> SV 8N
2	Base	161430340	
6	Diffuser	152800910	
7	Initial stage box	152801070	-> SV8N
9	Final diffuser	152801000	
10	Impeller SVN	150702180	Example. SV804N054 = SV8, 4 Stages, 0,55 kW, 4 Pole
12	Seal housing	160101280	
18	Plugs	EPR	KL34AAK
		FPM	KL34AAL
		FEP	KL34AAM
20	Impellers retainer	KL41AAW	
*22	OR	EPR	KL02AA4
		FPM	KL02AA5
		FEP	KL02AA6
All Versions, wear OR not included			

Motor, Coupling, Motor Adaptor

kW >	0,55	0,75	1,1
**26 Motor 4P, 3~ >	107230760	107230820	107106613
3 Adaptor	161452741	161452741	161452751
14 Coupling guard	KL33AAH	KL33AAH	KL33AAG
15 Coupling	KL10ABG	KL10ABG	KL10ABH

Parts SV8N with less impellers

-> both SV8N el.pumps 2 - 4 Pole

Spacer replacing impeller	162502450
Final diffuser flange	161002540

Parts for SV8V - Victaulic

Pump body ports Victaulic	151301560	SV-V -> code SV-N with extension XXXPA
2 Base	161430350	

Parts for SV8C - Clamp

Pump body ports Clamp	251304430	SV-C -> code SV-N with extension XXXPBN
2 Base	161430340	

TBD = To Be Defined

Since Mar02 ELP.have New code (10739*) having New motors without tie-rods.

Since Oct03 mechanical seal replaces Widia faces with SiC faces.

* Recommended spares

** Motor spares: see motor lists

SV16N 2 Pole

ELP 2P		SV1602N22	SV1603N30	SV1604N40	SV1605N55	SV1606N55	SV1607N75	SV1608N75	SV1610N110	SV1612N110	SV1614N150
1~>		102541524									
	3~>	107391324	102541334	102541344	102541354	102541364	102541374	102541384	102541404	102541424	102541444
3~>		SV1615F150									
		102541454									
Motor power kW >	2,2		3,0	4,0	5,5	5,5	7,5	7,5	11,0	11,0	15,0
	15,0										
Stages number	2		3	4	5	6	7	8	10	12	14
	15										

Single Unit and Single Kit

4	Sleeve N - Version	156404120	156404130	156404140	156404150	156404160	156404170	156404180	156404200	156404220	156404240
		156404250									
13	Shaft 316 S. S.	165042220	165042230	165042240	165042250	165042260	165042270	165042280	165042300	165042320	165042340
		165042350									
17	Tie rods SVN	KL22AC4	KL22AC5	KL22AC6	KL22AC7	KL22AC8	KL22AC9	KL22ADA	KL22ADC	KL22ADE	KL22ADG
		KL22ADH									
Imp. pack SV16 316 SS., EPR OR		102998274	102998284	102998294	102998304	102998314	102998324	102998334	102998354	102998374	102998394
		102998404									

Mechanical Seal Kit

		Materials->	Q1BEGG	Q1Q1EGG	Q1BVG	Q1Q1VGG	Q1CTGG	Q1Q1TGG			
*16	Mech seal + sleeve OR		KL01AAE	KL01AC8	KL01AAH	KL01ADA	KL01ADC	KL01ADE	Single Seal D:16: SV8-16 : All Versions		

Wear parts

		->SV1607	->SV1612	->SV1616
		1 bearing	2 bearing	3 bearing
*8	Wear parts incl. OR, EPR	KL35AAW	KL35AAX	KL35AAY
	Wear parts incl. OR,FPM	KL35AA6	KL35AA7	KL35AA8
	Wear parts incl. OR, FEP	KL35AAL	KL35AAM	KL35AAN

Common, Single Unit and Kit

1	Pump body	151301340	-> SV 16 N
2	Base	161430350	
6	Diffuser	152800920	
7	Initial stage box	152801080	-> SV16N
9	Final diffuser	152801000	
10	Impeller SVN	150702190	Example. SV1602N22M = SV16, 2 Stages, 2,2kW, 1 ~
12	Seal housing	160101280	
18	Plugs	EPR	KL34AAK
		FPM	KL34AAL
		FEP	KL34AAM
20	Impellers retainer	KL41AAW	
OR		EPR	KL02AA4
		FPM	KL02AA5
		FEP	KL02AA6
*22			All Versions, wear OR not included
25	Motor flange	161050590	2P - 11,0 - 15,0 kW

Motor, Coupling, Motor Adaptor

**26	kW >	2,2	3,0	4,0	5,5	7,5	11,0	15,0
	Motor 2 P, 1 ~ >	107106273						
	Motor 2 P, 3 ~>	107230220	107106255	107106329	107106337	107106347	107106397	107106421
3	Adaptor	161452751	161452761	161452761	161452771	161452771	161452771	161452771
14	Coupling guard	KL33AAG	KL33AAK	KL33AAK	KL33AAL	KL33AAL	KL33AAL	KL33AAL
15	Coupling	KL10ABH	KL10ABK	KL10ABK	KL10ABL	KL10ABL	KL10ABM	KL10ABM

* Recommended spares

** Motor spares: see motor lists

SV16N 4 Pole

ELP 4 P,3 ~								
	SV1604N054	SV1606N074	SV1608N114	SV1609N114	SV1611N154	SV1613N154	SV1615N224	SV1616N224
3~>	107391824	107391834	102542664	102542674	102542694	102542714	102542734	102542744
Mot. power, kW >	0,55	0,75	1,1	1,1	1,5	1,5	2,2	2,2
Stages number	4	6	8	9	11	13	15	16

Single Unit and Single Kit

4	Sleeve, N-Version	156404140	156404160	156404180	156404190	156404210	156404230	156404250	156404260
13	Shaft 316 S. S.	165042240	165042260	165042280	165042290	165042310	165042330	165042350	165042360
17	Tie rods SVN	KL22AC6	KL22AC8	KL22ADA	KL22ADB	KL22ADD	KL22ADF	KL22ADH	KL22ADK
Imp. pack SV16 316 SS., EPR OR		102998294	102998314	102998334	102998344	TBD	TBD	102998404	TBD

Mechanical Seal Kit

*16	Materials->	Q1BEGG	Q1Q1EGG	Q1BVGG	Q1Q1VGG	Q1CTGG	Q1Q1TGG	
	Mech seal + sleeve OR	KL01AAE	KL01AC8	KL01AAH	KL01ADA	KL01ADC	KL01ADE	Single Seal D:16: SV8-16 : All Versions

Wear parts

		->SV1607	->SV1612	->SV1616
		1 bearing	2 bearing	3 bearing
*8	Wear parts incl. OR, EPR	KL35AAW	KL35AAX	KL35AAY
	Wear parts incl. OR,FPM	KL35AA6	KL35AA7	KL35AA8
	Wear parts incl. OR, FEP	KL35AAL	KL35AAM	KL35AAN

Common, Single Unit and Kit

1	Pump body	151301340	-> SV 16 N
2	Base	161430350	
6	Diffuser	152800920	
7	Initial stage box	152801080	-> SV16N
9	Final diffuser	152801000	
10	Impeller SVN	150702190	Example. SV1604N054 = SV16, 4 Stages, 0,55 kW, 4 Pole
12	Seal housing	160101280	
18	Plugs	EPR	KL34AAK
		FPM	KL34AAL
		FEP	KL34AAM
20	Impellers retainer	KL41AAW	
*22	OR	EPR	KL02AA4
		FPM	KL02AA5
		FEP	KL02AA6
			All Versions, wear OR not included

Motor, Coupling, Motor Adaptor

**26	kW >	0,55	0,75	1,1	1,5	2,2
	Motor 4P, 3 ~ >	107230760	107230820	107106613	107106623	107106653
3	Adaptor	161452741	161452741	161452751	161452751	161452761
14	Coupling guard	KL33AAH	KL33AAH	KL33AAG	KL33AAG	KL33AAK
15	Coupling	KL10ABG	KL10ABG	KL10ABH	KL10ABH	KL10ABK

Parts SV16N with less impellers

-> both SV16N el.pumps 2 - 4 Pole

	Spacer replacing impeller	162502450
	Final diffuser flange	161002540

Parts for SV16V - Victaulic

	Pump body ports Victaulic	151301560	SV-V -> code SV-N with extension XXXPA
2	Base	161430350	

Parts for SV16C - Clamp

	Pump body ports Clamp	251304430	SV-C -> code SV-N with extension XXXPBN
2	Base	161430350	

TBD = To Be Defined

Since Mar02 ELP.have New code (10739*) having New motors without tie-rods.

Since Oct03 mechanical seal replaces Widia faces with SiC faces.

* Recommended spares

** Motor spares: see motor lists