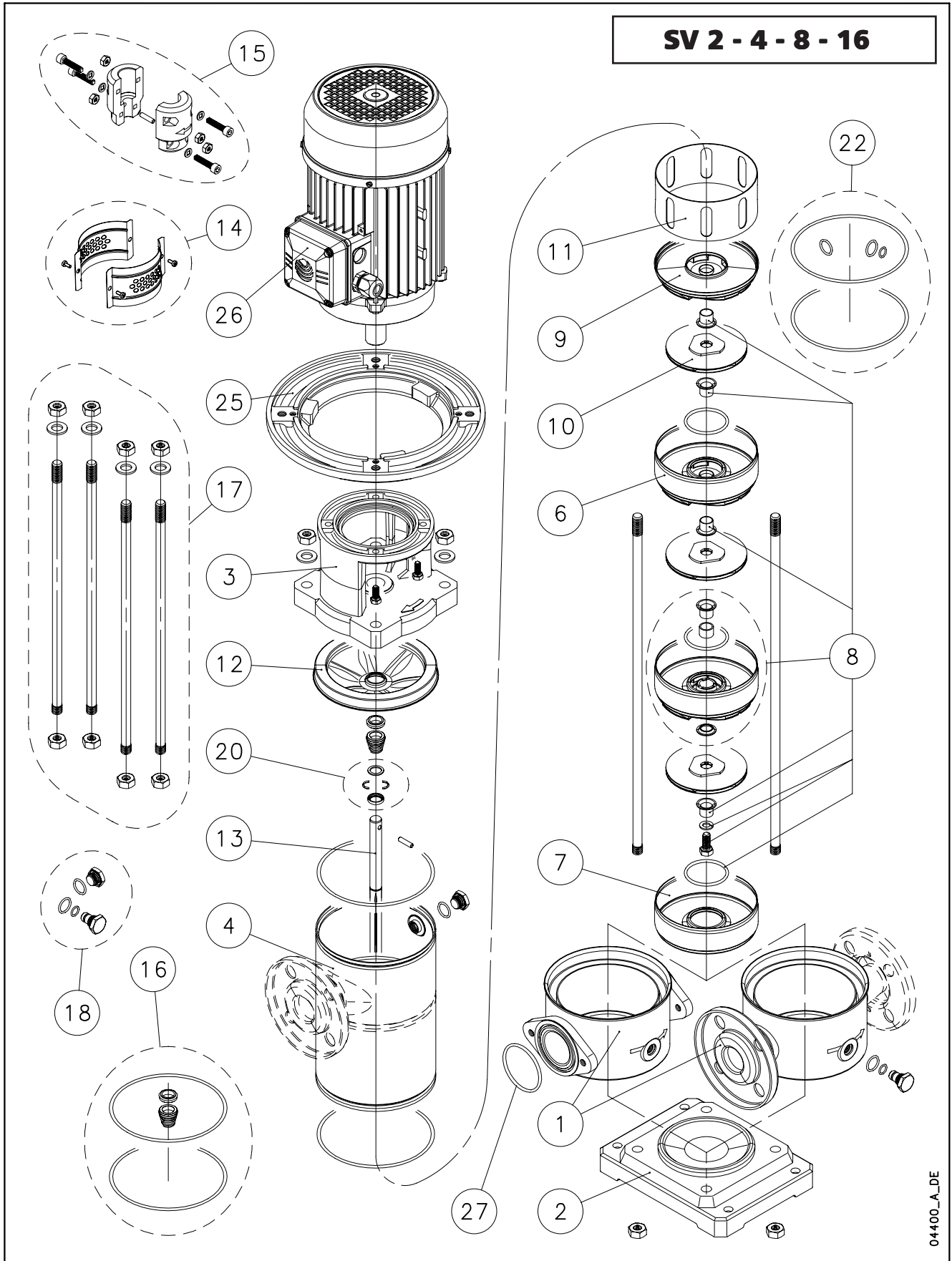




ITT

Lowara

SV 2 - 4 - 8 - 16



04400_A_DE



N.	Descrizione It	Description en	Description fr	Beschreibung de	Descripción es	Descrição pt
1	Corpo pompa	Pump body	Corps de pompe	Pumpengehäuse	Caja bomba	Corpo da bomba
2	Base	Basement	Base	Untersatz	Base	Base
3	Lanterna	Adaptor	Lanterne	Passfeder	Adaptador	Adaptador
4	Camicia	Sleeve	Chemise	Gehäuse	Camisa	Camisa
6	Diffusore	Diffuser	Diffuseur	Diffusor	Difusor	Difusor
7	Scatola stadio iniziale	Initial stage box	Box premier étage	Erste Stufe Diffusor	Caja etapa inicial	Carcaça primeira célula
8	Kit parti di usura	Wear parts kit	Kit parties d'usure	Bausatz Verschleißteile	Kit piezas de desgaste	Kit peças desgastáveis
9	Diffusore finale	Last stage diffuser	Diffuseur dernier étage	End Diffusor	Difusor final	Difusor final
10	Girante	Impeller	Roue	Lauftrad	Rodete	Impulsor
11	Distanziale finale	Last stage spacer	Entretoise dernier étage	End Distanzstück	Espaciador final	Distancial final
12	Disco porta tenuta	Seal housing plate	Disque de support garniture	Dichtungsgehäusescheibe	Disco de alojamiento sello	Disco porta-vedante
13	Albero	Shaft	Arbre	Welle	Árbol	Veio
14	Kit protezione giunto	Coupling guard kit	Kit protection manchon	Satz Kupplungsschutz	Kit protección junta	Kit protecção junta
15	Kit coppia di semigiunti	Pair of half coupling kit	Kit paire de demi-manchons	Kupplungssatz	Kit par de semijuntas	Kit par de semi-juntas
16	Kit tenuta meccanica + OR	Mechanical seal + OR kit	Kit garniture mec. + joints toriques	Gleitringdichtung + OR	Kit sello mec. + junta tórica	Kit vedante mec. + OR
17	Kit tiranti	Tie rods kit	Kit tirants	Zugstangensatz	Kit tirantes	Kit tirantes
18	Tappi	Plugs	Bouchons	Schrauben	Tapones	Tampões
20	Kit arresto giranti	Impellers stop kit	Kit arrêt roues	Satz Laufradanschlag	Kit parada de rodetes	Kit paragem impulsores
22	Kit guarnizioni OR	O ring kit	Kit joints toriques	O-Ring-Dichtungssatz	Kit juntas tóricas	Kit guarnições OR
25	Flangia motore	Motor flange	Bride moteur	Motorflansch	Brida motor	Flange motor
26	Motore	Motor	Moteur	Motor	Motor	Motor
27	OR flange ovali	oval flanges OR	Joints toriques brides ovales	Ovale Flanges O-Ring	Aro tórico bridas ovales	OR flanges ovais
N.	Descrizione nl	Περιγραφή el	Açıklama tr	Kuvaus fi	Описание ru	Opis pl
1	Pomphuis	Σώμα αντλίας	Pompa gövdesi	Pumpun runko	Корпус насоса	Korpus pompy
2	Pompvoet	Βάση	Kaide	Perusta	Основание	Podstawa
3	Lantaarnstuk	Μπρακέτο	Adaptör	Sovitin	Крестовина	Piasta
4	Mantel	Κέλυφος	Gömlük	Muhvi	Муфта	Plaszcz
6	Diffusor	Πτερύγιο εκτροπής	Difüzör	Diffuusori	Диффузор	Dyfuzor
7	Kast eerste trap	Πρώτο πτερύγιο εκτροπής	ilk kademe kutusu	Ensivaiheen laatikko	Коробка начальной стадии	Skrzynka początkowego stadium
8	Set slijtonderdelen	Σετ δακτυλίων τριβής	Aşınma parçaları kiti	Kulumisiosien sarja	Комплект изнашиваемых частей	Zestaw części podl. zużyciu
9	Diffusor laatste trap	Τελευταίο πτερύγιο εκτροπής	Son difüzör	Loppuvaiheen diffusori	Конечный диффузор	Dyfuzor końcowy
10	Waaier	Πτερύγιο	Pompa çarkı	Juoksupyörä	Рабочее колесо	Wirnik
11	Afstandstuk laatste trap	Τελικός αποστάτης	Son ara halkası	Loppuvaiheen välilevy	Конечная распорная деталь	Końcowa część dystansowa
12	Dichtingssteunplaat	Δίσκος μηχανικού στυποθλίπτη	Sızdırmazlık elemanı diskisi	Tiivisteen kannatuslevy	Пластина держателя прокладки	Tarcza uszczelki
13	As	Άξονας	Mil	Akseli	Вал	Wał
14	Set koppelingsbescherming	Καλύμματα προστασίας σταθερού συνδέσμου	Manşon koruma kiti	Liitoksen suojuussarja	Комплект защиты муфт	Zestaw ochronny złącza
15	Set koppelingshelften	Σετ σταθερού συνδέσμου	Çift yarım manşon kiti	Liitinsarja	Комплект пары полумуфт	Zestaw pary półzłączy
16	Set mech. asafdichting + O-ring	Μηχανικός στυποθλίπτης και ροδέλες στεγανοποίησης	Mekanik salmastra kiti + O-Ring	Mek. tiiviste + O-rengassarja	Комплект мех.прокладки + OR	Zestaw uszcz.mech. + OR
17	Set trekstangen	Σετ ράβδων σύνδεσης	Gergi çubuğu kiti	Vetotankosarja	Комплект тяг	Zestaw napinaczy
18	Pluggen	Σετ ταπών	Tapalar	Tulpat	Пробки	Zatyczki
20	Waaierstopset	Σετ ασφάλισης πτερυγίων	Pompa çarklarını durdurma kiti	Juoksupyörien pysäytysarja	Комплект останова рабочих колес	Zestaw do zatrzymywania wirników
22	Set O-ringafdichtingen	Σετ ροδέλες στεγανοποίησης	O-Ring kiti	O-rengassarja	Комплект кольцевых прокладок OR	Zestaw uszczeliek OR
25	Motorflens	Μπρακέτο κινητήρα	Motor flanşı	Moottorin laippa	Фланец двигателя	Końierz silnika
26	Motor	Πλήρης κινητήρας	Motor	Moottori	Двигатель	Silnik
27	O-ring ovale flenzen	Ροδέλες στεγανοποίησης οβάλ φλαντζών	Oval flanş O-Ringi	Soikeiden vastalaippojen O-renkaat	Кольцевые прокладки OR овальных фланцев	Pierścienie OR kołnierzy owalnych



ITT

Lowara

SV2 F-T-R 2 Pole

Production date >Jan00

ELP 2 P		SV202F03	SV203F03	SV204F05	SV205F07	SV206F07	SV207F11	SV208F11	SV209F11	SV211F15	SV212F15
F Version	1 ~ >	107390271	107390281	107390291	107390301	107390311	107390321	107390331	107390341	107390361	107390371
	3 ~ >	107390021	107390031	107390041	107390051	107390061	107390071	107390081	107390091	107390111	107390121
		SV214F22	SV216F22	SV218F22	SV220F30	SV222F30	SV224F30				
	1 ~ >	102540391	102540411	102540431							
T Version	1 ~ >	107390270	107390280	107390290	107390300	107390310	107390320	107390330	107390340	107390360	107390370
	3 ~ >	107390020	107390030	107390040	107390050	107390060	107390070	107390080	107390090	107390110	107390120
		SV214T22									
	1 ~ >	102540390									
R Version	1 ~ >			SV204R05	SV205R07	SV206R07	SV207R11	SV208R11	SV209R11	SV211R15	SV212R15
	3 ~ >	107390043	107390053	107390063	107390073	107390083	107390093	107390113	107390123	107390143	107390163
		SV214R15	SV216R22	SV218R22	SV220R30	SV222R30	SV224R30				
	1 ~ >	102540393	102540413	102540433							
Motor power kW >	0,37	0,37	0,55	0,75	0,75	1,1	1,1	1,1	1,5	1,5	
Stages number	2	3	4	5	6	7	8	9	11	12	
	14	16	18	20	22	24					

Single Unit and Kit

4	Sleeve	156403500	156403510	156403520	156403530	156403540	156403550	156403560	156403570	156403590	156403600
	T-F, Version	156403620	156403640	156403660	156403680	156403700	156403720				
	Sleeve		156404620	156404630	156404640	156404650	156404660	156404670	156404690	156404700	
	R, Version	156403720	156403640	156403760	156403780	156403800	156403820				
13	Shaft 304 S.S.	165041600	165041610	165041620	165041630	165041640	165041650	165041660	165041670	165041690	165041700
		165041720	165041740	165041760	165041780	165041790	165041800				
17	Tie rods kit	KL22ABL	KL22ABM	KL22ABN	KL22ABP	KL22ABQ	KL22ABR	KL22ABS	KL22ABT	KL22ABU	KL22ABV
		KL22ABX	KL22ABZ	KL22AB0	KL22AB1	KL22AB2	KL22AB3				
Pump stack SV2 304 SS - EPR		102997701	102997711	102997721	102997731	102997741	102997751	102997761	102997771	102997781	102997791
		102997811	102997831	102997841	102997851	102997861	102997871				

Mechanical seal Kit

*16	Mech seal + sleeve OR	Materials ->	Q1BEGG	Q1Q1EGG	Q1BVG	Q1Q1VGG	Q1CTGG	Q1Q1TGG	Single Seal D:12 : SV 2-4 , All Versions		
			KL01AAD	KL01AC7	KL01AAG	KL01AC9	KL01ADB	KL01ADD			

Wear Parts kit

		- > SV208	- > SV216	- > SV220	- > SV224
		1 bearing	2 bearing	3 bearing	4 bearing
*8	Wear parts incl. OR, EPR	KL35AAP	KL35AAQ	KL35AAR	KL35AAS
	Wear parts incl. OR, FPM	KL35AAZ	KL35AA0	KL35AA1	KL35AA2
	Wear parts incl. OR, FEP	KL35AAC	KL35AAD	KL35AAE	KL35AAF

Common, Single Unit and kit

1	Pump body	151301200	-> SV2-4 T
		151301210	-> SV2F
		151301370	-> SV2R
2	Base	161430320	-> SV2-4 T
		161430330	-> SV2-4 F-R-N
6	Diffuser	152800860	
7	Initial stage box	152801020	
9	Final diffuser	152800960	
10	Impeller SVF	150702100	Example. SV207T11M = SV2, 7 Stages, 1,1 kW, 1 ~
12	Seal housing	160101260	
18	Plugs	EPR	KL34AAK
		FPM	KL34AAL
		FEP	KL34AAM
20	Impellers retainer	KL41AAV	All Versions
*22	OR	EPR	KL02AA1
		FPM	KL02AA2
		FEP	KL02AA3
27	Hoval flange OR, EPR	002221866	All Versions, wear OR not included
		002222623	->SV2-4 T

Motor, Coupling, Motor adaptor

**26	kW >	0,37	0,55	0,75	1,1	1,5	2,2	3,0
	Motor 2P, 1 ~ >	107230020	107230040	107230100	107230120	107230180	107106273	
	Motor 2P, 3 ~ >	107230060	107230080	107230090	107230160	107230200	107230220	107106255
3	Adaptor	161452701	161452701	161452711	161452711	161452721	161452721	161452731
14	Coupling guard	KL33AAD	KL33AAD	KL33AAE	KL33AAE	KL33AAF	KL33AAF	KL33AAG
15	Coupling	KL10ABC	KL10ABC	KL10ABD	KL10ABD	KL10ABE	KL10ABE	KL10ABF

* Recommended spares
** Motor spares: see motor lists

Production date > Jan00

SV2F 4 Pole

ELP 4 P, 3 ~		SV203F024	SV206F024	SV209F024	SV212F024	SV214F024	SV216F024	SV218F034	SV220F034	SV222F034	SV224F034
F Version	3 ~ >	107391501	107391511	107391521	107391531	107391541	107391551	107391561	107391571	107391581	107391591
Motor power kW>		0,25	0,25	0,25	0,25	0,25	0,25	0,37	0,37	0,37	0,37
Stages number		3	6	9	12	14	16	18	20	22	24

Single Unit and Kit

4	Sleeve	156403510	156403540	156403570	156403600	156403620	156403640	156403660	156403680	156403700	156403720
13	Shaft 304 S. S.	165041610	165041640	165041670	165041700	165041720	165041740	165041760	165041780	165041800	165041800
17	Tie rods kit	KL22ABM	KL22ABQ	KL22ABT	KL22ABV	KL22ABX	KL22ABZ	KL22AB0	KL22AB1	KL22AB2	KL22AB3
Pump stack SV2 304 SS - EPR		102997711	102997741	102997771	102997791	102997811	102997831	102997841	102997851	102997861	102997871

Mechanical seal Kit

Materials ->		Q1BEGG	Q1Q1EGG	Q1BVGG	Q1Q1VGG	Q1CTGG	Q1Q1TGG	
*16	Mech seal + sleeve OR	KL01AAD	KL01AC7	KL01AAG	KL01AC9	KL01ADB	KL01ADD	Single Seal D:12 : SV 2-4 , All Versions

Wear Parts kit

		-> SV208	-> SV216	-> SV220	-> SV224
		1 bearing	2 bearing	3 bearing	4 bearing
*8	Wear parts incl. OR, EPR	KL35AAP	KL35AAQ	KL35AAR	KL35AAS
	Wear parts incl. OR, FPM	KL35AAZ	KL35AA0	KL35AA1	KL35AA2
	Wear parts incl. OR, FEP	KL35AAC	KL35AAD	KL35AAE	KL35AAF

Common, Single Unit and kit

1	Pump body	151301210	-> SV2F
2	Base	161430330	-> SV2-4 F-R-N
3	Adaptor	161452701	
6	Diffuser	152800860	
7	Initial stage box	152801020	
9	Final diffuser	152800960	
10	Impeller SVF	150702100	Example. SV209F024 = SV2, 9 Stages, 0,25 kW, 4 Pole
12	Seal housing	160101260	
18	Plugs	EPR	KL34AAK
		FPM	KL34AAL
		FEP	KL34AAM
			All Versions
20	Impellers retainer	KL41AAV	All Versions
*22	OR	EPR	KL02AA1
		FPM	KL02AA2
		FEP	KL02AA3
			All Versions, wear OR not included

Motor, Coupling, Motor Adaptor

**26	kW >	0,25 kW	0,37 kW
	Motor 4P, 3 ~ >	107230640	107230700
3	Adaptor	161452701	161452701
14	Coupling guard	KL33AAD	KL33AAD
15	Coupling	KL10ABC	KL10ABC

Parts SV2-4 with less impellers

-> both SV2 el.pumps 2 - 4 Pole

	Spacer replacing impeller	162502440
	Final diffuser flange	161002510

Code 10739*) is for ELP produced since Mar02, having motors without tie-rods

Since Oct03, mechanical seal has Widia faces replaced with SiC. faces.

* Recommended spares

** Motor spares: see motor lists

SV2-16F_5_Jan00_EdC

Production date > Jan00

SV4F-T-R 2 Pole

ELP 2 P											
F Version	SV402F03	SV403F05	SV404F07	SV405F11	SV406F11	SV407F11	SV408F15	SV409F15	SV411F22	SV413F22	
	1 ~ >	107390771	107390781	107390791	107390801	107390811	107390821	107390831	107390841	102540861	102540881
	3 ~ >	107390521	107390531	107390541	107390551	107390561	107390571	107390581	107390591	107390611	107390631
		SV414F30	SV416F30	SV418F30	SV420F40	SV422F40	SV424F40				
	102540641	102540661	102540681	102540701	102540721	102540741					
T Version	SV402T03	SV403T05	SV404T07	SV405T11	SV406T11	SV407T11	SV408T15	SV409T15	SV411T22	SV413T22	
	1 ~ >	107390770	107390780	107390790	107390800	107390810	107390820	107390830	107390840	102540860	102540880
	3 ~ >	107390520	107390530	107390540	107390550	107390560	107390570	107390580	107390590	107390610	107390630
		SV414T30									
	102540640										
R Version				SV405R11	SV406R11	SV407R11	SV408R15	SV409R15	SV411R22	SV413R22	
	1 ~ >			107390803	107390813	107390823	107390833	107390843	102540863	102540883	
	3 ~ >			107390553	107390563	107390573	107390583	107390593	107390613	107390633	
		SV414R30	SV416R30	SV418R30	SV420R40	SV422R40	SV424R40				
	102540643	102540663	102540683	102540703	102540723	102540743					
Motor power	0,37	0,55	0,75	1,1	1,1	1,1	1,5	1,5	2,2	2,2	
kw - >	3,0	3,0	3,0	4,0	4,0	4,0					
Stages number	2	3	4	5	6	7	8	9	11	13	
	14	16	18	20	22	24					

Single Unit and Kit

4	Sleeve	156403500	156403510	156403520	156403530	156403540	156403550	156403560	156403570	156403590	156403610
	T-F Version	156403620	156403640	156403660	156403680	156403700	156403720				
	Sleeve				156404850	156404860	156404870	156404880	156404890	156404910	156404930
	R Version	156404940	156404960	156404980	156405000	156405020	156405040				
		165041600	165041610	165041620	165041630	165041640	165041650	165041660	165041670	165041690	165041710
13	Shaft 304 S. S.	165041720	165041740	165041760	165041780	165041790	165041800				
17	Tie rods Kit	KL22ABL	KL22ABM	KL22ABN	KL22ABP	KL22ABQ	KL22ABR	KL22ABS	KL22ABT	KL22ABU	KL22ABW
		KL22ABX	KL22ABZ	KL22AB0	KL22AB1	KL22AB2	KL22AB3				
Pump stack SV4 304 SS - EPR		102997901	102997911	102997921	102997931	102997941	102997951	102997961	102997971	102997981	102998001
		102998011	102998031	102998041	102998051	102998061	102998071				

Mechanical seal Kit

Materials ->		Q1BEGG	Q1Q1EGG	Q1BVGG	Q1Q1VGG	Q1CTGG	Q1Q1TGG			
*16	Mech seal + sleeve OR	KL01AAD	KL01AC7	KL01AAG	KL01AC9	KL01ADB	KL01ADD	Single Seal D:12 : SV 2-4, All Versions		

Wear Parts Kit

		-> SV408	-> SV416	-> SV420	-> SV424
		1 bearing	2 bearing	3 bearing	4 bearing
* 8	Wear parts incl. OR, EPR	KL35AAP	KL35AAQ	KL35AAR	KL35AAS
	Wear parts incl. OR, FPM	KL35AAZ	KL35AA0	KL35AA1	KL35AA2
	Wear parts incl. OR, FEP	KL35AAC	KL35AAD	KL35AAE	KL35AAF

Common, Single Unit and Kit

1	Pump body	151301200	-> SV2-4 T
		151301220	-> SV4F
		151301380	-> SV4 R
2	Base	161430320	-> SV2-4 T
		161430330	
6	Diffuser	152800860	
7	Initial stage box	152801020	
9	Final diffuser	152800960	
10	Impeller SVF	150702110	Example. SV407T22M = SV4, 7 Stages, 2,2 kW, 1 ~
12	Seal housing	160101260	
18	Plugs	EPR	KL34AAK
		FPM	KL34AAL
		FEP	KL34AAM
			All Versions
20	Impellers retainer	KL41AAV	All Versions
*22	OR	EPR	KL02AA1
		FPM	KL02AA2
		FEP	KL02AA3
			All Versions, wear OR not included
27	Hoval flange OR, EPR	002221866	
		002222623	->SV2-4 T

Motor, Coupling, Motor Adaptor

**26	kw >	0,37	0,55	0,75	1,1	1,5	2,2	3,0	4,0
	Motor 2P, 1 ~ >	107230020	107230040	107230100	107230120	107230180	107106273		
	Motor 2P, 3 ~ >	107230060	107230080	107230090	107230160	107230200	107230220	107106255	107106329
3	Adaptor	161452701	161452701	161452711	161452711	161452721	161452721	161452731	161452731
14	Coupling guard	KL33AAD	KL33AAD	KL33AAE	KL33AAE	KL33AAF	KL33AAF	KL33AAG	KL33AAG
15	Coupling	KL10ABC	KL10ABC	KL10ABD	KL10ABD	KL10ABE	KL10ABE	KL10ABF	KL10ABF

* Recommended spares

** Motor spares: see motor lists

Production date > Jan00

SV4F 4 Pole

ELP 4 P, 3 ~										
F Version 3 ~ >	SV403F024	SV406F024	SV409F024	SV412F024	SV414F034	SV416F034	SV418F034	SV420F054	SV422F054	SV424F054
	107391621	107391631	107391641	107391651	107391661	107391671	107391681	107391691	107391701	107391711
Mot. power, kW >	0,25	0,25	0,25	0,25	0,37	0,37	0,37	0,55	0,55	0,55
Stages number	3	6	9	12	14	16	18	20	22	24

Single Unit

4	Sleeve SV F	156403510	156403540	156403570	156403600	156403620	156403640	156403660	156403680	156403700	156403720
13	Shaft 304 S. S.	165041610	165041640	165041670	165041700	165041720	165041740	165041760	165041780	165041790	165041800
17	Tie rods Kit	KL22ABM	KL22ABQ	KL22ABT	KL22ABV	KL22ABX	KL22ABZ	KL22AB0	KL22AB1	KL22AB2	KL22AB3
Pump stack SV4 304 SS - EPR		102997911	102997941	102997971	TBD	102998011	102998031	102998041	102998051	102998061	102998071

Mechanical seal Kit

		Materials ->	Q1BEGG	Q1Q1EGG	Q1BVGG	Q1Q1VGG	Q1CTGG	Q1Q1TGG	
*16	Mech seal + sleeve OR		KL01AAD	KL01AC7	KL01AAG	KL01AC9	KL01ADB	KL01ADD	Single Seal D:12 : SV 2-4, All Versions

Wear Parts Kit

		- > SV408	- > SV416	- > SV420	- > SV424
		1 bearing	2 bearing	3 bearing	4 bearing
* 8	Wear parts incl. OR, EPR	KL35AAP	KL35AAQ	KL35AAR	KL35AAS
	Wear parts incl. OR, FPM	KL35AAZ	KL35AA0	KL35AA1	KL35AA2
	Wear parts incl. OR, FEP	KL35AAC	KL35AAD	KL35AAE	KL35AAF

Common, Single Unit and Kit

1	Pump body	151301220	-> SV4F
2	Base	161430330	
6	Diffuser	152800860	
7	Initial stage box	152801020	
9	Final diffuser	152800960	
10	Impeller SVF	150702110	Example. SV409F024 = SV4, 9 Stages, 0,25 kW, 4 Pole
12	Seal housing	160101260	
18	Plugs	EPR	KL34AAK
		FPM	KL34AAL
		FEP	KL34AAM
			All Versions
20	Impellers retainer	KL41AAV	All Versions
*22	OR	EPR	KL02AA1
		FPM	KL02AA2
		FEP	KL02AA3
			All Versions, wear OR not included

Motor, Coupling, Motor Adaptor

**26	kW >	0,25	0,37	0,55
	Motor 4P, 3 ~ >	107230640	107230700	107230760
3	Adaptor	161452701	161452701	161452711
14	Coupling guard	KL33AAD	KL33AAD	KL33AAE
15	Coupling	KL10ABC	KL10ABC	KL10ABD

Parts SV2-4 with less impellers

-> both SV4 el.pumps 2 - 4 Pole

	Spacer replacing impeller	162502440
	Final diffuser flange	161002510

TBD To Be Defined

Code 10739*) is for ELP produced since Mar02, having motors without tie-rods

Since Oct03, mechanical seal has replaces Widia faces replaced with SiC. faces.

* Recommended spares

** Motor spares: see motor lists



ITT

Lowara

Production date >Jan00

SV8F-R 2 Pole

ELP 2P		SV802F11	SV803F15	SV804F22	SV805F22	SV806F30	SV808F40	SV809F40	SV811F55	SV812F55	SV814F75
F Version	1 ~>	107391221	107391231	102541241	102541251						
	3 ~>	107391021	107391031	107391041	107391051	102541061	102541081	102541091	102541111	102541121	102541141
		SV816F75									
	3 ~>	102541161									
T Version	1 ~>	SV802T11	SV803T15	SV804T22	SV805T22	SV806T30	SV808T40	SV809T40	SV811T55		
	1 ~>	107391220	107391230	102541240	102541250						
	3 ~>	107391020	107391030	107391040	107391050	102541060	102541080	102541090	102541110		
		-	SV803R15	SV804R22	SV805R22	SV806R30	SV808R40	SV809R40	SV811R55	SV812R55	SV814R75
R Version	1 ~>	-	107391233	102541243	102541253						
	3 ~>	-	107391033	107391043	107391053	102541063	102541083	102541093	102541113	102541123	102541143
		SV816R75									
	3 ~>	102541163									
Motor power kW >	1,1	1,5	2,2	2,2	3,0	4,0	4,0	5,5	5,5	7,5	
Stages number	2	3	4	5	6	8	9	11	12	14	
	16										

Single Unit and Kit

4	Sleeve	156403960	156403970	156403980	156403990	156404000	156404020	156404030	156404050	156404080	156404060
	T F Version	156404100									
	Sleeve	-	156405130	156405140	156405150	156405160	156405180	156405190	156405210	156405220	156405240
	R Version	156405260									
13	Shaft 304 S. S.	165042040	165042050	165042060	165042070	165042080	165042100	165042110	165042130	165042160	165042140
		165042180									
17	Tie rods Kit	KL22AB4	KL22AB5	KL22AB6	KL22AB7	KL22AB8	KL22ACA	KL22ACB	KL22ACD	KL22ACE	KL22ACG
		KL22ACK									
Pump stack SV8 304 S.S. - EPR		102998101	102998111	102998121	102998131	102998141	102998161	102998171	102998191	102998201	102998221
		102998241									

Mechanical seal Kit

*16	Mech seal + sleeve OR	Materials->	Q1BEGG	Q1Q1EGG	Q1BVGG	Q1Q1VGG	Q1CTGG	Q1Q1TGG	Single Seal D:16: SV 8-16, All Versions
			KL01AAE	KL01AC8	KL01AAH	KL01ADA	KL01ADC	KL01ADE	

Wear Parts Kit

		->SV807	->SV812	->SV816
		1 bearing	2 bearing	3 bearing
*8	Wear parts incl. OR,EPR	KL35AAT	KL35AAU	KL35AAV
	Wear parts incl. OR,FPM	KL35AA3	KL35AA4	KL35AA5
	Wear parts incl. OR, FEP	KL35AAG	KL35AAH	KL35AAK

Common, Single Unit and Kit

1	Pump body	151301240	-> SV 8T
		151301250	-> SV8F
		151301410	-> SV 8R
2	Base	161430340	
6	Diffuser	152800870	
7	Initial stage box	152801030	
9	Final diffuser	152800970	
10	Impeller SVF	150702120	Example. SV804T22M = SV8, 4 Stages, 2,2 kW, 1~
12	Seal housing	160101290	
18	Plugs	EPR	KL34AAK
		FPM	KL34AAL
		FEP	KL34AAM
		All Versions	
20	Impellers retainer	KL41AAW	All Versions
*22	OR	EPR	KL02AA4
		FPM	KL02AA5
		FEP	KL02AA6
		All Versions, wear OR not included	
27	Hoval flange OR, EPDM	002221870	
		002222641	-> SV8 T

Motor, Coupling, Motor Adaptor

**26	kW ->	1,1	1,5	2,2	3,0	4,0	5,5	7,5
	Motor 2 P, 1 ~>	107230120	107230180	107106273				
	Motor 2 P, 3 ~>	107230160	107230200	107230220	107106255	107106329	107106337	107106347
3	Adaptor	161452741	161452751	161452751	161452761	161452761	161452771	161452771
14	Coupling guard	KL33AAH	KL33AAG	KL33AAG	KL33AAK	KL33AAK	KL33AAL	KL33AAL
15	Coupling	KL10ABG	KL10ABH	KL10ABH	KL10ABK	KL10ABK	KL10ABL	KL10ABL

* Recommended spares

** Motor spares: see motor lists

SV2-16F_5_Jan00_EdC

SV8F 4 Pole

ELP 4P, 3 ~	SV804F054	SV806F054	SV808F054	SV810F054	SV812F074	SV814F074	SV815F114	SV816F114
F Version 3 ~>	107391741	107391751	107391761	107391771	107391781	107391791	102542571	102542581
Mot. power, kW >	0,55	0,55	0,55	0,55	0,75	0,75	1,1	1,1
Stages number	4	6	8	10	12	14	15	16

Single Unit and Kit

4	Sleeve	156403980	156404000	156404020	156404040	156404060	156404080	156404090	156404100
13	Shaft 304 S. S.	165042060	165042080	165042100	165042120	165042140	165042160	165042170	165042180
17	Tie rods SV8F	KL22AB6	KL22AB8	KL22ACA	KL22ACC	KL22ACE	KL22ACG	KL22ACH	KL22ACK
Pump stack SV8 304 S.S. - EPR		102998131	102998161	102998171	102998181	102998201	102998221	102998231	102998241

Mechanical seal Kit

*16	Mech seal + sleeve OR	Materials-> Q1BEGG KL01AAE	Q1Q1EGG KL01AC8	Q1BVGG KL01AAH	Q1Q1VGG KL01ADA	Q1CTGG KL01ADC	Q1Q1TGG KL01ADE	Single Seal D:16: SV 8-16, All Versions
-----	-----------------------	----------------------------------	--------------------	-------------------	--------------------	-------------------	--------------------	---

Wear Parts Kit

		->SV807 1 bearing	->SV812 2 bearing	->SV816 3 bearing
*8	Wear parts incl. OR,EPR	KL35AAT	KL35AAU	KL35AAV
	Wear parts incl. OR,FPM	KL35AA3	KL35AA4	KL35AA5
	Wear parts incl. OR, FEP	KL35AAG	KL35AAH	KL35AAK

Common, Single Unit and Kit

1	Pump body	151301250	-> SV8F
2	Base	161430340	-> SV8
6	Diffuser	152800870	
7	Initial stage box	152801030	-> SV8
9	Final diffuser	152800970	
10	Impeller SVF	150702120	Example. SV804F054 = SV8, 4 Stages, 0,55 kW, 4 Pole
12	Seal housing	160101290	
18	Plugs	EPR	KL34AAK
		FPM	KL34AAL
		FEP	KL34AAM
20	Impellers retainer	KL41AAW	All Versions
*22	OR	EPR	KL02AA4
		FPM	KL02AA5
		FEP	KL02AA6
			All Versions, wear OR not included

Motor, Coupling, Motor Adaptor

**26	kW >	0,55	0,75	1,1
	Motor 4P ->	107230760	107230820	107106613
3	Adaptor	161452741	161452741	161452751
14	Coupling guard	KL33AAH	KL33AAH	KL33AAG
15	Coupling	KL10ABG	KL10ABG	KL10ABH

Parts SV8-16 with less impellers

-> both SV8 el.pumps 2-4 Pole

	Spacer replacing impeller	162502450
	Final diffuser flange	161002540

Code 10739*) is for ELP produced since Mar02, having motors without tie-rods

Since Oct03, mechanical seal has Widia faces replaced with SiC. faces.

* Recommended spares

** Motor spares: see motor lists

SV16F-R 2 Pole

ELP 2P											
F Version	SV1602F22	SV1603F30	SV1604F40	SV1605F55	SV1606F55	SV1607F75	SV1608F75	SV1610F110	SV1612F110	SV1614F150	
	1~>	102541521									
	3~>	107391321	102541331	102541341	102541351	102541361	102541371	102541381	102541401	102541421	102541441
		SV1615F150									
R Version			SV1604R40	SV1605R55				SV1608R75			
			102541343	102541353				102541383			
Motor power	2,2	3,0	4,0	5,5	5,5	7,5	7,5	11,0	11,0	15,0	
kW ->	15,0										
Stages number	2	3	4	5	6	7	8	10	12	14	
	15										

Single Unit and Kit

4	Sleeve SV T F, ST->	156403960	156403970	156403980	156403990	156404000	156404010	156404020	156404040	156404060	156404080
		156404090									
13	Shaft 304 S. S.	165042040	165042050	165042060	165042070	165042080	165042090	165042100	165042120	165042140	165042160
		165042170									
17	Tie rods Kit SVF	KL22AB4	KL22AB5	KL22AB6	KL22AB7	KL22AB8	KL22AB9	KL22ACA	KL22ACC	KL22ACE	KL22ACG
		KL22ACH									
Pump stack SV16		102998271	102998281	102998291	102998301	102998311	102998321	102998331	102998351	102998371	102998391
304 S. S. - EPR		102998401									

Mechanical Seal Kit

*16	Mech seal + sleeve OR	Materials-> KL01AAE	Q1BEGG KL01AC8	Q1Q1EGG KL01AC8	Q1BVGG KL01AAH	Q1Q1VGG KL01ADA	Q1CTGG KL01ADC	Q1Q1TGG KL01ADE	Q1 = SIC, B-C = Carb, E-V-T = EPR, FPM, PTFE Single Seal D:16: SV8-16 : All Versions
-----	-----------------------	------------------------	--------------------------	---------------------------	--------------------------	---------------------------	--------------------------	---------------------------	--

Wear parts

		->SV1607	->SV1612	->SV1616
		1 bearing	2 bearing	3 bearing
*8	Wear parts incl. OR, EPR	KL35AAW	KL35AAX	KL35AAY
	Wear parts incl. OR, FPM	KL35AA6	KL35AA7	KL35AA8
	Wear parts incl. OR, FEP	KL35AAL	KL35AAM	KL35AAN

Single Unit and Kit

1	Pump body	151301260	-> SV 16 F
		151301410	-> SV 8R
2	Base	161430350	-> SV 16
6	Diffuser	152800880	
7	Initial stage box	152801040	-> SV16F
9	Final diffuser	152800970	
10	Impeller SVF	150702130	Example. SV1602F22M = SV16, 2 Stages, 2,2kW, 1 ~
12	Seal housing	160101290	
18	Plugs	EPR	KL34AAK
		FPM	KL34AAL
		FEP	KL34AAM
20	Impellers retainer	KL41AAW	All Versions
*22	OR	EPR	KL02AA4
		FPM	KL02AA5
		FEP	KL02AA6
			All Versions, wear OR not included
25	Motor flange	161050590	2P : 11,0 - 15,0 kW

Motor, Coupling, Motor Adaptor

**26	kW -->	2,2	3,0	4,0	5,5	7,5	11,0	15,0
	Motor 2 P, 1~ -->	107106273						
	Motor 2 P, 3~ -->	107230220	107106255	107106329	107106337	107106347	107106397	107106421
3	Adaptor	161452751	161452761	161452761	161452771	161452771	161452771	161452771
14	Coupling guard	KL33AAH	KL33AAK	KL33AAK	KL33AAL	KL33AAL	KL33AAL	KL33AAL
15	Coupling	KL10ABH	KL10ABK	KL10ABK	KL10ABL	KL10ABL	KL10ABM	KL10ABM

SV16F 4 Pole

ELP 4 P,3 ~								
F Version	SV1604F054	SV1606F074	SV1608F114	SV1609F114	SV1611F154	SV1613F154	SV1615F224	SV1616F224
3~>	107391821	107391831	102542661	102542671	102542691	102542711	102542731	102542741
Motor power, kW	4	6	8	9	11	13	15	16
Stages number	0,55	0,75	1,1	1,1	1,5	1,5	2,2	2,2

Single Unit and Kit

4	Sleeve	156403980	156404000	156404020	156404030	156404050	156404070	156404090	156404100
13	Shaft 304 S. S.	165042060	165042080	165042100	165042110	165042130	165042150	165042170	165042180
17	Tie rods Kit SVF	KL22AB6	KL22AB8	KL22ACA	KL22ACB	KL22ACD	KL22ACF	KL22ACH	KL22ACK
Pump stack SV16		102998291	102998311	102998331	102998341	-	-	102998401	-
304 S. S. - EPR									

Wear parts

		->SV1607	->SV1612	->SV1616
		1 bearing	2 bearing	3 bearing
*8	Wear parts incl. OR, EPR	KL35AAW	KL35AAX	KL35AAY
	Wear parts incl. OR, FPM	KL35AA6	KL35AA7	KL35AA8
	Wear parts incl. OR, FEP	KL35AAL	KL35AAM	KL35AAN

Common, Single Unit and Kit

1	Pump body	151301260	-> SV 16F
2	Base	161430350	-> SV 16
6	Diffuser	152800880	
7	Initial stage box	152801040	-> SV16F
9	Final diffuser	152800970	
10	Impeller SVF	150702130	Example. SV1604F054 = SV16, 4 Stages, 0,55 kW, 4 Pole
12	Seal housing	160101290	
18	Plugs	EPR	KL34AAK
		FPM	KL34AAL
		FEP	KL34AAM
		All Versions	
20	Impellers retainer	KL41AAW	All Versions
*22	OR	EPR	KL02AA4
		FPM	KL02AA5
		FEP	KL02AA6
		All Versions, wear OR not included	

Motor, Coupling, Motor Adaptor

**26	kW ->	0,55	0,75	1,1	1,5	2,2
	Motor 4P , 3 ~ ->	107230760	107230820	107106613	107106623	107106653
3	Adaptor	161452741	161452741	161452751	161452761	161452761
14	Coupling guard	KL33AAH	KL33AAH	KL33AAG	KL33AAG	KL33AAK
15	Coupling	KL10ABG	KL10ABG	KL10ABH	KL10ABH	KL10ABK

Parts SV 8-16 with less impellers

-> both SV8-16 el.pumps 2-4 Pole

	Spacer replacing impeller	162502450
	Final diffuser flange	161002540

Code 10739*) is for ELP produced since Mar02, having motors without tie-rods

Since Oct03, mech seal has Widia (Tungst. Carb.) faces replaced with SiC. (Silicon Carbide) faces.

* Recommended spares

** Motor spares: see motor lists