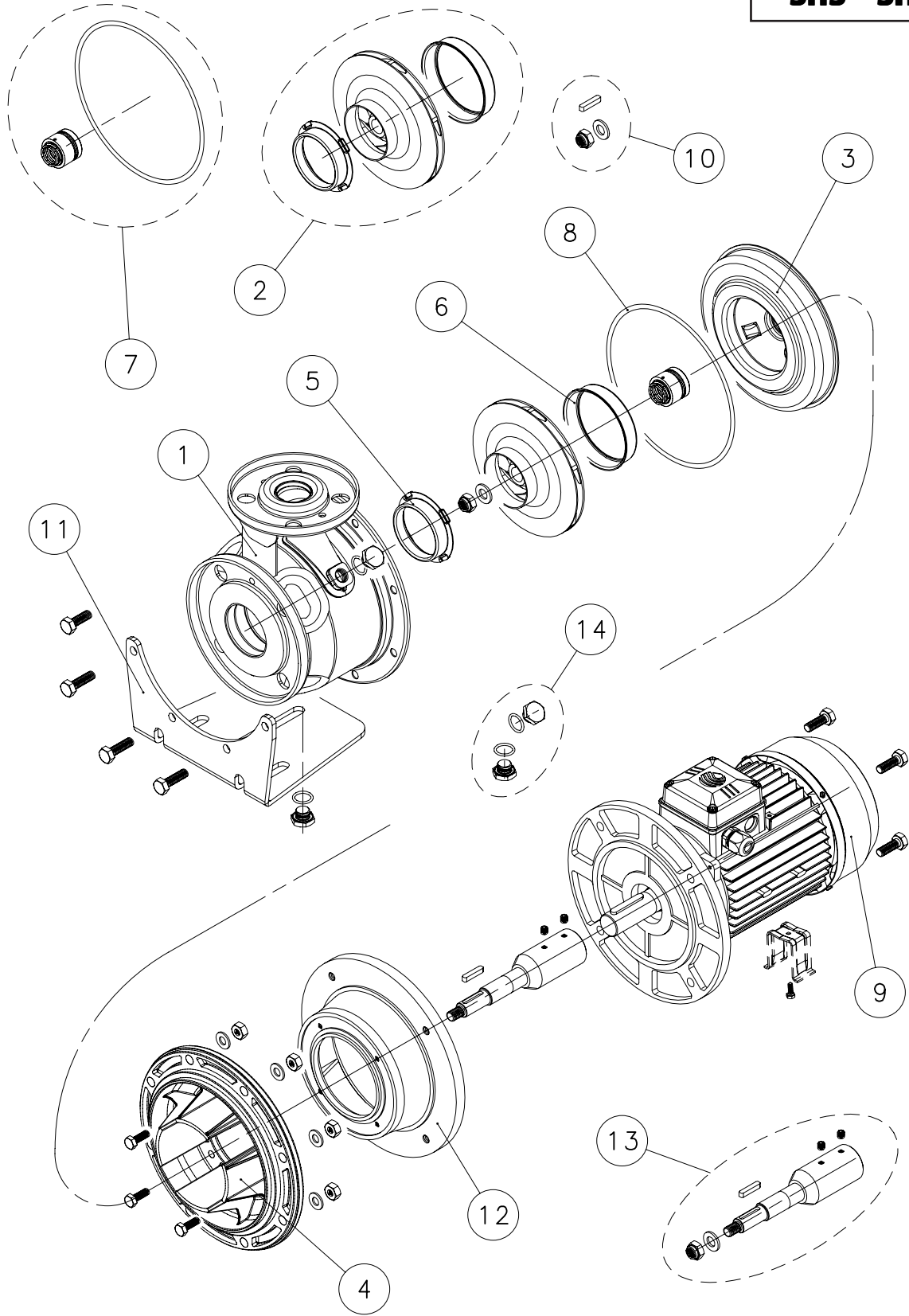




ITT

Lowara

SHS - SHS4



04950_C_DE



IT

N.	Descrizione it	Description en	Description fr	Beschreibung de	Descripción es	Descrição pt
1	Corpo pompa completo	Complete pump body	Corps de pompe complete	Kompletter pumpengehäuse	Caja bomba completa	Corpo da bomba complete
2	Girante e anelli di usura	Impeller and wear rings	Roue et anneaux d'usure	Lauftrad und Verschleißringe	Rodete y anillos de desgaste	Impulsor e anéis compensadores de desgaste
3	Disco portatenuta (con anello di usura)	Seal housing disc (with wear ring)	Disque d'étanchéité (avec anneau d'usure)	Dichtungsscheibe (mit Ausgleichsring)	Disco de alojamiento retén (con anillo de desgaste)	Disco porta-vedante (com anel compensador de desgaste)
4	Lanterna	Adaptor	Lanterne	Antriebslaterne	Adaptador	Adaptador
5	Rasamento anteriore	Front wear plate	Bague pour régulation du jeu axial avant	Vordere Ausgleichsscheibe	Espesor delantero	Casquillo anterior
6	Rasamento posteriore	Back wear plate	Bague pour régulation du jeu axial arrière	Hintere Ausgleichsscheibe	Espesor trasero	Casquillo posterior
7	Tenuta meccanica e guarnizione OR	Mechanical seal and O-Ring	Garniture mécanique et joint torique	Gleitringdichtung und O-Ring	Retén mecánico y aro tórico	Vedante mecânico e vedação OR
8	Guarnizione OR	O-Ring	Joint torique	O-Ring	Aro tórico	Vedação OR
9	Motore completo	Complete motor	Moteur complet	Kompletter Motor	Motor completo	Motor complete
10	Gruppo fissaggio girante (dado, rosetta e linguetta)	Impeller locking group (nut, washer and key)	Groupe de fixation roue (ecrou, rondelle et clavette)	Befestigungsgruppe Laufrads auf (Feststellmutter, Unterlegscheibe und Passfeder)	Grupo de fijación rodete (tuerca, arandela y lengüeta)	Grupo de fixação do impulsor (porca, anilha e lingueta)
11	Piede di sostegno	Support foot	Pied d'appui	Stützfuß	Pie de soporte	Pé de apoio
12	Raccordo motore	Motor connector	Raccord moteur	Motoranschluss	Acoplamiento motor	Conexão motor
13	Giunto con gruppo fissaggio girante	Coupling with impeller locking group	Manchon avec groupe de fixation roue	Kupplung mit Befestigungsgruppe Lauftrad	Junta con grupo de fijación rodete	Junta com grupo de fixação do impulsor
14	Kit tappi	Plug kit	Kit bouchons	Verschlusschrauben-Kit	Kit tapones	Kit tampões
N.	Beschrijving nl	Περιγραφή el	Açıklama tr	Kuvaus fi	Описание ru	Opis pl
1	Compleet pomphuis	Πλήρες σώμα αντλίας	Komple pompa gövdesi	Täydellinen pumpun runko	Полный корпус насоса	Kompletny korpus pompy
2	Waaier en slijtringen	Πτερύγιο και δακτύλιοι τριβής	Pompa rotoru ve aşınma halkaları	Juoksupyörä ja kulumisrenkaat	Рабочее колесо и изнашиваемые кольца	Wirnik i pierścienie wymienne
3	Dichtingssteunplaat (met slijtring)	Δίσκος μηχανικού στυποθήπιτη και οπίσθιος δακτύλιος τριβής	Sızdırmazlık diskisi (aşınma halkası ile)	Tiivisteen kannatuslevy (kulumisrenkaalla)	Диск держателя прокладки (с изнашиваемым кольцом)	Tarcza uszczelki (z wymiennym pierścieniem)
4	Lantaarnstuk	Μπρακέτο	Adaptör	Sovitin	Адаптер	Lampa
5	Voorste schraapring	Πρόσθιος δακτύλιος τριβής	Ön ara halkası	Etvälilevy	Передняя утолщающая прокладка	Wyglądanie przednie
6	Achterste schraapring	Οπίσθιος δακτύλιος τριβής	Arka ara halkası	Takavälilevy	Задняя утолщающая прокладка	Wyglądanie tylne
7	Mechanische asafdichting en O-ringafdichting	Μηχανικός στυποθήπιτης και ροδέλες στεγανοποίησης	Mekanik conta ve O-Ring	Mekaaninen tiiviste ja O-rengas	Механическая прокладка и уплотнение OR	Uszczelnienie mechaniczne i uszczelka O-Ring
8	O-ringafdichting	Ροδέλα στεγανοποίησης	O-Ring	O-rengas	Прокладка OR	Uszczelka O-Ring
9	Complete motor	Πλήρης κινητήρας	Komple motor	Täydellinen moottori	Укомплектованный двигатель	Kompletny silnik
10	Waaierbevestigingsblok (moer, ring en spie)	Σετ ασφάλισης περρυγίου (παξιμάδι, ροδέλα, σφήνα)	Pompa rotorunu sabitleme takımı (somun, rondela ve kama)	Juoksupyörän kiinnityskokonaisuus (mutteri, välirengas ja kiila)	Узел фиксации рабочего колеса (гайка, шайба и шпонка)	Zespół mocujący wirnika (nakrętka, podkładka i wpust)
11	Steunpoot	Πέλαμα στήριξης	Destek ayağı	Tukijalka	Опорная ножка	Nóżka wspornikowa
12	Motorverbinding	Μπρακέτο κινητήρα	Motor bağlantı elemanı	Moottoriiliitos	Патрубок двигателя	Złącza silnika
13	Koppeling met waaierbevestigingsblok	Προέκταση άξονα και σετ ασφάλισης περρυγίου	Pompa rotorunu sabitleme takımı ile mafsalsal	Liitos juoksupyörän kiinnityskokonaisuudella	Соединение с узлом фиксации рабочего колеса	Złącze z zespołem mocującym wirnika
14	Stoppenset	Σετ ταπών	Tapa kiti	Tulppasarja	Набор пробок	Zestaw zatyczek

SHS-SHS4-descr_b_sc

Lowara



ITT

Lowara

Production date > Jan00

SHS 25 - SHS4 25

	25-125/07	25-125/11	25-160/15	25-160/22	25-200/30	25-200/40	25-250/55	25-250/75	25-250/110
ELP 3 ~, 2P KW ->	107420630	107420631	107420632	107420633	102200634	102200635	102200640	102200641	102200642
	0,75	1,1	1,5	2,2	3,0	4,0	5,5	7,5	11,0
ELP 3 ~, 4P KW ->							107420920	102205710	102205720
							0,75	1,10	1,50

Kit	Dia.	119	136	150	164	188	205	222	242	256
2*	Impeller 2P	KL04AA9	KL04ABA	KL04ABB	KL04ABC	KL04ABD	KL04ABE	KL04ACK	KL04ACL	KL04ACM
	Impeller 4P							KL04ACK	KL04ACL	KL04ACM

	Material-->	VBVGG	Q1Q1VGG	VBEGG	Q1Q1EGG			
7*	Seal kit	KL01AA0	KL01ACN	KL01ACS	KL01ACW	2P->200/40		
		KL01AA3	KL01ACP	KL01ACT	KL01ACX	2P->250/110; 4P ->250/15		
						Seal D:22-OR 158/189/221		
8*	OR FPM Kit	KL02AAP	2P -> 125/15		4P ->250/15	D:158	Incl. 2 OR	
		KL02AAQ	2P -> 160/22			D:189		
		KL02AAR	2P ->200/40			D:221		
	KL02AAS	2P ->250/110		D:247				
	OR EPDM Kit	KL02AAV	2P ->160/15			D:158	Incl. 3 OR	
		KL02AAW	2P -> 160/22			D:189		
KL02AAX		2P ->200/40		D:221				
10	Imp. lock kit M12	KL39AAA	All Versions				D:247	
13	Coupling D18	KL10AAH	2P -> 125/11					
		KL10AAK	2P -> 160/22					
		KL10AAL	2P -> 200/40					
		KL10AAM	2P -> 250/75		4P -> 250/07			
		KL10AAN	2P -> 250/110		4P -> 250/15			
14	Fill-Drain plug FPM	KL34AAB						
	Fill-Drain plug EPR	KL34AAC	All Versions					

Single Unit, 2P

1	Pump body	151380440	151380440	151380450	151380450	151380460	151380460	151380480	151380480	151380480
11	Support foot	161401830	161401830	161401841	161401841	161401851	161401851	161401871	161401871	On Motor
3	Seal Housing	160102000	160102000	160102010	160102010	150102220	160102020	150102230	150102230	150102230
4	Adaptor	161430100	161430100	161430110	161430110	161430210	161430210	161452440	161452440	161452440
5	Wear ring	168601491	168601491	168601491	168601491	168601491	168601491	168601491	168601491	168601491
6	Back wear ring					465020201		465020201	465020201	465020201
9	Motor 3 ~, 2P	107230320	107230340	107230360	107230380	107106257	107106307	107106337	107106347	107106412
	Size	80	80	80	80	90	100	112	112	160
12	Mot/connector	167350110	167350110	167350110	167350110	167350160	167350160	167350130	167350130	167350140

Single Unit, 4P

1	Pump body							151380480	151380480	151380480
11	Support foot							161401871	161401871	161401871
3	Seal Housing							150102230	150102230	150102230
4	Adaptor							161452440	161452440	161452440
5	Wear ring							168601491	168601491	168601491
6	Back wear ring							465020201	465020201	465020201
9**	Motor 3 ~, 4P							107230800	107106611	107106621
	Size							80	90	90
12	Mot/connector							167350150	167350150	167350150

On motor means "On motor only"

* Recommended spares

** Motor spares: see motor lists.

SHS 25-80_5_Jan00_EdB



ITT

Lowara

Production date > Jan00

SHS 32 - SHS4 32

	32-125/07	32-125/11	32-160/15	32-160/22	32-200/30	32-200/40	32-250/55	32-250/75	32-250/110
ELP 3 ~, 2P KW ->	107420670	107420680	107420690	107420700	102200710	102200720	102200730	102200740	102200750
	0,75	1,1	1,5	2,2	3,0	4,0	5,5	7,5	11,0
ELP 3 ~, 4P KW ->							107420940	102205740	102205750
							0,75	1,10	1,50

Kit	Dia.	119	136	150	164	188	205	222	242	256
Impeller 2P		KL04AA9	KL04ABA	KL04ABB	KL04ABC	KL04ABD	KL04ABE	KL04ACK	KL04ACL	KL04ACM
2* Impeller 4P								KL04ACK	KL04ACL	KL04ACM

	Material-->	VBVGG	Q1Q1VGG	VBEGG	Q1Q1EGG		
7*	Seal kit	KL01AA0	KL01ACN	KL01ACS	KL01ACW	2P->200/40	Seal D:22-OR 158/189/221
		KL01AA3	KL01ACP	KL01ACT	KL01ACX	2P->250/110; 4P ->250/15	Seal D:22-OR 247/278
	OR FPM Kit	KL02AAP	2P -> 125/15		4P -> 250/15		D:158
		KL02AAQ	2P -> 160/22				D:189
		KL02AAR	2P -> 200/40				D:221
		KL02AAS	2P -> 250/110				D:247
8*	OR EPDM Kit	KL02AAV	2P -> 160/15		4P -> 250/15		D:158
		KL02AAW	2P -> 160/22				D:189
		KL02AAX	2P -> 200/40				D:221
		KL02AAY	2P -> 250/110				D:247
10	Imp. lock kit M12	KL39AAA	All Versions				
13	Coupling D18	KL10AAH	2P -> 125/11				
		KL10AAK	2P -> 160/22				
		KL10AAL	2P -> 200/40				
		KL10AAM	2P -> 250/75		4P -> 250/07		
		KL10AAN	2P -> 250/110		4P -> 250/15		
14	Fill-Drain plug FPM	KL34AAB					
	Fill-Drain plug EPR	KL34AAC	All Versions				

Single Unit, 2P

1	Pump body	151380040	151380040	151380050	151380050	151380060	151380060	151380070	151380070	151380070
11	Support foot	161401830	161401830	161401841	161401841	161401851	161401851	161401871	161401871	On Motor
3	Seal Housing	160102000	160102000	160102010	160102010	150102220	160102020	150102230	150102230	150102230
4	Adaptor 2P	161430100	161430100	161430110	161430110	161430210	161430210	161452440	161452440	161452440
5	Wear ring	168601491	168601491	168601491	168601491	168601491	168601491	168601491	168601491	168601491
6	Back wear ring					465020201		465020201	465020201	465020201
9**	Motor 3 ~, 2P	107230320	107230340	107230360	107230380	107106257	107106307	107106337	107106347	107106412
	Size	80	80	80	80	90	100	112	112	160
12	Mot/connector	167350110	167350110	167350110	167350110	167350160	167350160	167350130	167350130	167350140

Single Unit, 4P

1	Pump body							151380070	151380070	151380070
11	Support foot							161401871	161401871	161401871
3	Seal Housing							150102230	150102230	150102230
4	Adaptor							161452440	161452440	161452440
5	Wear ring							168601491	168601491	168601491
6	Back wear ring							465020201	465020201	465020201
9**	Motor 3 ~, 4P							107230800	107106611	107106621
	Size							80	90	90
12	Mot/connector							167350150	167350150	167350150

On motor means "On motor only"

* Recommended spares

** Motor spares: see motor lists.

SHS 25-80_5_Jan00_EdB

Production date > Jan00

SHS40 - SHS4 40

	40-125/11	40-125/15	40-125/22	40-160/30	40-160/40	40-200/55	40-200/75	40-250/110A	40-250/110	40-250/150
ELP3~,2P	107420780	107420790	107420800	102200810	102200820	102200830	102200840	102200850	102200860	102200870
kW->	1,1	1,5	2,2	3,0	4,0	5,5	7,5	11,0	11,0	15,0
						40-200/07	40-200/11	40-250/11	40-250/15	40-250/22
ELP3~,4P						107420960	102205840	102205850	102205860	102205870
kW->						0,75	1,1	1,1	1,5	2,2

Kit	Dia.	112	126	143	159	171	190	209	218	233	251
1*	Impeller 2P	KL04ABF	KL04ABG	KL04ABH	KL04ABK	KL04ABL	KL04ABM	KL04ABN	KL04ABP	KL04ABQ	KL04ABR
2*	Impeller 4P						KL04ABM	KL04ABN	KL04ABP	KL04ABQ	KL04ABR

7*	Seal kit	Material-->	VBVGG	Q1Q1VGG	VBEGG	Q1Q1EGG	2P->200/75;4P->200/11 2P->250/110;4P->250/15 2P-250/150;4P-250/22	Seal D:22 - OR 158/189/221 Seal D:22 - OR 247/278 Seal D:28 - OR 247/278
			KL01AA0	KL01ACN	KL01ACS	KL01ACW		
			KL01AA3	KL01ACP	KL01ACT	KL01ACX		
8*	OR FPM Kit		KL01ACL	KL01ACQ	KL01ACU	KL01ACY	D:158 D:189 D:221 D:278 Incl. 2 OR	
			KL02AAP	2P->125/22	4P->200/11 4P->250/22			
			KL02AAQ	2P->160/40				
			KL02AAR	2P->200/75				
	KL02AAT	2P->250/150						
8*	OR EPR Kit		KL02AAV	2P->125/22	4P->200/11 4P->250/22	D:158 D:189 D:221 D:278 Incl. 3 OR		
			KL02AAW	2P->160/40				
			KL02AAX	2P->200/75				
			KL02AAY	2P->250/150				
10	Imp.lock kit D:12	KL39AAA	2P->250/110; 4P->250/15					
	Imp.lock kit D:16	KL39AAB	2P: 250/150; 4P: 250/22					
13	Coupling D:18		KL10AAH	2P->125/11	4P->200/07			
			KL10AAK	2P->125/22	4P->250/15			
			KL10AAL	2P->160/40				
			KL10AAN	2P->200/75				
			KL10AAP	2P->250/110				
13	Coupling D:24		KL10AAQ	4P -250/22				
			KL10AAS	2P -250/150				
14	Fill-Drainplug FPM	KL34AAB						
	Fill-Drainplug EPR	KL34AAC	All Versions					

Single Unit, 2P

1	Pump body	151380080	151380080	151380080	151380090	151380090	151380100	151380100	151380110	151380110	151380110
11	Support foot	161401831	161401831	161401831	161405710	161405710	161401851	161401851	On Motor	On Motor	On Motor
3	Seal-housing	160102040	160102040	160102040	150102210	150102210	150102220	150102220	150102230	150102230	150102271
4	Adaptor	161430100	161430100	161430100	161430110	161430160	161430170	161430170	161452440	161452440	161453110
5	Wear ring	168601500	168601500	168601500	168601500	168601500	168601500	168601500	168601510	168601510	168601510
6	Back wear ring				465020201	465020201	465020201	465020201	465020201	465020201	465020201
9**	Motor 3~,2P	107230340	107230360	107230380	107106257	107106307	107106337	107106347	107106412	107106412	107106422
	Size	80	80	80	90	100	112	112	160	160	160
12	Mot/connector	167350110	167350110	167350110	167350120	167350120	167350130	167350130	167350140	167350140	167350140

Single Unit, 4P

1	Pump body						151380100	151380100	151380110	151380110	151380110
11	Support foot						161401851	161401851	161401871	161401871	161401871
3	Seal-housing						150102220	150102220	150102230	150102230	150102271
4	Adaptor						161430210	161430210	161452440	161452440	161452440
5	Wear ring						168601500	168601500	168601510	168601510	168601510
6	Back wear ring						465020201	465020201	465020201	465020201	465020201
9**	Motor 3~,4P						107230800	107106611	107106611	107106621	107106651
	Size						80	90	90	90	100
12	Mot/connector						167350150	167350150	167350150	167350150	167350160

On motor means "On motor only"

* Recommended spares

** Motor spares: see motor lists.



ITT

Lowara

Production date > Jan00

SHS 50 - SHS4 50

	50-125/22	50-125/30	50-125/40	50-160/55	50-160/75	50-200/110A	50-200/110	50-250/150	50-250/185	50-250/220
ELP 3 ~, 2P	107420900	102200910	102200920	102200930	102200940	102200950	102200960	102200970	102200980	102200990
KW->	2,2	3,0	4,0	5,5	7,5	11,0	11,0	15,0	18,5	22,0
ELP3~, 4P				107420970	102205940	102205950	102205960	102205970	102205980	102205990
KW->				0,75	1,1	1,1	1,5	2,2	2,2	3,0

Kit	Dia.	119	130	139	158	174	197	209	224	237	250	
2*	Impeller 2P	KL04ABS	KL04ABT	KL04ABU	KL04ABV	KL04ABW	KL04ABX	KL04ABY	KL04ABZ	KL04AB0	KL04AB1	
	Impeller 4P				KL04ABV	KL04ABW	KL04ABX	KL04ABY	KL04ABZ	KL04AB0	KL04AB1	
7*	Material--> Seal kit	VBVGG	Q1Q1VGG	VBEGG	Q1Q1EGG	2P -> 160/75; 4P -> 160/11		Seal D:22-OR 158/189/221				
		KL01AA0	KL01ACN	KL01ACS	KL01ACW	2P -> 200/110; 4P -> 200/15		Seal D:22-OR 247/278				
		KL01AA3	KL01ACP	KL01ACT	KL01ACX	2P -> 250/220; 4P -> 250/30		Seal D:28-OR 247/278				
		KL01ACL	KL01ACQ	KL01ACU	KL01ACY							
8*	OR FPM Kit	KL02AAQ	2P -> 160/75		4P -> 160/11		D: 189					
		KL02AAS	2P -> 200/110		4P -> 200/15		D: 247					
		KL02AAT	2P -> 250/220		4P -> 250/30		D: 278					
	OR EPR Kit	KL02AAW	2P -> 160/75		4P -> 160/11		D: 189					
		KL02AAY	2P -> 200/110		4P -> 200/15		D: 247					
		KL02AAZ	2P -> 250/220		4P -> 250/30		D: 278					
10	Imp.lock kit M12	KL39AAA	2P->200/110; 4P->200/15									
	Imp.lock kit M16	KL39AAB	2P ->250/220; 4P->250/30									
13	Coupling D:18	KL10AAH			4P - 160/07							
		KL10AAK	2P - 125/22			4P -> 200/15						
		KL10AAL	2P -> 125/40									
		KL10AAM	2P -> 160/75									
		KL10AAN	2P -> 200/110									
	Coupling D:24	KL10AAQ			4P -> 250/30							
		KL10AAS	2P -> 250/185									
		KL10AAT	2P - 250/220									
14	Fill-Drain plug FPM	KL34AAB										
	Fill-Drain plug EPR	KL34AAC	All Versions									

Single Unit, 2P

1	Pump body	151380120	151380120	151380120	151380130	151380130	151380140	151380140	151380150	151380150	151380150
11	Support foot	161405710	161405710	161405710	161401841	161401841	On Motor	On Motor	On Motor	On Motor	On Motor
3	Seal housing	150102280	150102280	150102280	150102280	150102280	150102300	150102300	150102271	150102271	150102271
4	Adaptor	161430110	161430110	161430160	161430160	161430160	161452430	161452430	161453110	161453110	161453110
5	Wear ring	168601510	168601510	168601510	168601510	168601510	168601510	168601510	168601510	168601510	168601510
6	Back wear ring	465020201	465020201	465020201	465020201	465020201	465020201	465020201	465020201	465020201	465020201
9**	Motor 3~,2P	107230380	107106257	107106307	107106337	107106347	107106412	107106412	107106422	107106432	107106448
	Size	80	90	100	112	112	160	160	160	160	160
12	Mot/connector	167350110	167350120	167350120	167350130	167350130	167350140	167350140	167350140	167350140	167350140

Single Unit, 4P

1	Pump body				151380130	151380130	151380140	151380140	151380150	151380150	151380150
11	Support foot				161401841	161401841	161401891	161401891	161401871	161401871	161401871
3	Seal housing				150102280	150102280	150102300	150102300	150102271	150102271	150102271
4	Adaptor				161430110	161430110	161452430	161452430	161452440	161452440	161452440
5	Wear ring				168601510	168601510	168601510	168601510	168601510	168601510	168601510
6	Back wear ring				465020201	465020201	465020201	465020201	465020201	465020201	465020201
9**	Motor 3~,4P				107230800	107106611	107106611	107106621	107106651	107106651	107106661
	Size				80	90	90	90	100	100	100
12	Mot/connector				167350110	167350110	167350150	167350150	167350160	167350160	167350160

On motor means "On motor only"

* Recommended spares

** Motor spares: see motor lists.

SHS 25-80_5_Jan00_EdB



ITT

Lowara

Production date > Jan00

SHS 65 - SHS4 65

ELP. 3~, 2P	65-160/40	65-160/55	65-160/75	65-160/110A	65-160/110	65-200/150	65-200/185	65-200/220	65-250/300	65-250/370
	102201020	102201030	102201040	102201050	102201070	102201090	102201100	102201110	102201130	102201140
KW ->	4,0	5,5	7,5	11,0	11,0	15,0	18,5	22,0	30,0	37,0
ELP. 3~, 4P	65-160/05	65-160/07	65-160/11A	65-160/11	65-160/15	65-200/15	65-200/22	65-200/30	65-250/40	65-250/55
	107420980	107420990	102206040	102206050	102206070	102206090	102206100	102206110	102206140	102206150
KW ->	0,55	0,75	1,1	1,1	1,5	1,5	2,2	3,0	4,0	5,5

Kit	Dia.	119	129	137 - 140	168	177	192 - 187	203	215 - 222	240	255
2*	Impeller 2P	KL04AEC	KL04AB3	KL04AEE	KL04AEF	KL04AEG	KL04AEH	KL04AEK	KL04AEL	KL04ALU	KL04ALK
	Impeller 4P	KL04AEC	KL04AB3	KL04AB4	KL04AEF	KL04AEG	KL04ALF	KL04AEK	KL04ALG	KL04ALU	KL04ALK

7*	Material-->	VBVGG	Q1Q1VGG	VBEGG	Q1Q1EGG					
	Seal kit	KL01AA3	KL01ACP	KL01ACT	KL01ACX	2P->160/110A, 4P->160/11		Seal D:22-OR 247/278		
		KL01ACL	KL01ACQ	KL01ACU	KL01ACY	2P->200/220, 4P->200/30		Seal D:28-OR 247/278		
8*	OR FPM Kit	KL02AAT	2P -> 200/220		4P -> 200/30		D: 247		Incl. 2 OR	
		KL02AAU	2P -> 250/370		4P -> 250/55		D: 278			
	OR EPR Kit	KL02AAY	2P -> 200/220		4P -> 200/30		D: 247		Incl. 3 OR	
		KL02AAZ	2P -> 250/370		4P -> 250/55		D: 278			
10	Imp.lock kit M12	KL39AAA	2P -> 160/92; 4P->160/11							
	Imp.lock kit M16	KL39AAB	2P ->200/220; 4P->200/30							
	Imp.lock kit M20	KL39AAC	2P ->250/370; 4P->250/55							
13	Coupling D:18	KL10AAH				4P -> 160/07				
		KL10AAK				4P -> 160/11				
		KL10AAL	2P - 160/40							
		KL10AAM	2P -> 160/75							
		KL10AAN	2P - 160/110A							
	Coupling D:24	KL10AAP				4P ->200/15				
		KL10AAQ				4P ->200/30				
		KL10AAS	2P ->200/185							
	Coupling D:29	KL10AAT	2P - 200/220							
		KL10AAY				4P - 250/40				
		KL10AAV				4P - 250/55				
		KL10AAW	2P ->250/370							
14	Fill-Drain plug FPM	KL34AAB	->65/160							
	Fill-Drain plug EPR	KL34AAC	->65/160							
	Fill-Drain plug FPM	KL34AAD	->65/250							
	Fill-Drain plug EPR	KL34AAE	->65/250							

Single Unit, 2P

1	Pump body	151380160	151380160	151380160	151380170	151380170	151380180	151380180	151380180	151380190	151380190
11	Support foot	161401891	161401891	161401891	On Motor	On Motor	On Motor	On Motor	On Motor	On Motor	On Motor
3	Seal-housing	160102120	160102120	160102120	160102120	150102331	150102331	150102331	150102331	150102352	150102352
4	Adaptor	161452430	161452430	161452430	161452430	161452430	161452430	161452430	161452430	161452910	161452910
5	Wear ring	168601520	168601520	168601520	168601600	168601600	168601600	168601600	168601600	168601600	168601600
6	Back wear ring				168601280	168601280	168601280	168601280	168601280	168601280	168601280
9**	Motor 3~,2P	107106307	107106337	107106347	107106412	107106412	107106422	107106432	107106448	130643701	130643711
	Size	100	112	112	160	160	160	160	160	200	200
12	Mot/connector	167350160	167350130	167350130	167350140	167350140	167350140	167350140	167350140	167350200	167350200

Single Unit, 4P

1	Pump body	151380160	151380160	151380160	151380170	151380170	151380180	151380180	151380180	151380190	151380190
11	Support foot	161401891	161401891	161401891	161401891	161405810	161405810	161405810	161405730	161405730	161405730
3	Seal-housing	160102120	160102120	160102120	160102120	150102331	150102331	150102331	150102331	150102352	150102352
4	Adaptor	161452430	161452430	161452430	161452430	161452430	161452430	161452430	161452430	161452910	161452910
5	Wear ring	168601520	168601520	168601520	168601600	168601600	168601600	168601600	168601600	168601600	168601600
6	Back wear ring				168601280	168601280	168601280	168601280	168601280	168601280	168601280
9**	Motor 3~,4P	107230740	107230800	107106611	107106611	107106621	107106621	107106651	107106661	107106681	107106711
	Size		80	90	90	90	90	100	100	112	132
12	Mot/connector	167350150	167350150	167350150	167350150	167350150	167350150	167350160	167350160	167350160	167350130

* Recommended spares

On motor means "On motor only"

** Motor spares: see motor lists.

SHS 25-80_5_Jan00_EdB



ITT

Lowara

Production date > Jan00

SHS 80 - SHS4 80

ELP 3 ~, 2P	80-160/110	80-160/150	80-160/185	80-200/220		80-200/300	80-200/370			
	102201170	102201180	102201190	102201220		102201230	102201240			
kw ->	11,0	15,0	18,5	22,0		30,0	37,0	45,0	55,0	75,0
ELP 3 ~, 4P	80-160/15	80-160/22A	80-160/22	80-200/30	80-200/40			80-250/55	80-250/75	80-250/92
	102206170	102206180	102206190	102206200	102206210			102206260	102206270	102206280
kw ->	1,5	2,2	2,2	3,0	4,0			5,5	7,5	9,2

Kit	Dia.	169	177	186	198	220	215	226	237	252	270
2*	Impeller, 2P	KL04ALL	KL04ALM	KL04ALN	KL04ALP		KL04AL0	KL04AL1			
	Impeller, 4P	KL04ALL	KL04ALM	KL04ALN	KL04ALP	KL04ALQ			KL04ALR	KL04ALS	KL04ALT

7*	Material->	VBVGG	Q1Q1VGG	VBEGG	Q1Q1EGG						
		KL01ACL	KL01ACQ	KL01ACU	KL01ACY	2P->200/220, 4P->200/40		Seal D:28-OR 247/278			
		KL01ACM	KL01ACR	KL01ACV	KL01ACZ	2P->200/370, 4P->250/92		Seal D:33-OR 278/304			
8*	OR FPM Kit	KL02AAT	2P -> 200/370		4P -> 200/40		D: 278				
		KL02AAU			4P -> 250/92		D: 304 Incl. 2 OR				
	OR EPR Kit	KL02AAZ	2P -> 200/370		4P -> 200/40		D: 278				
		KL02AA0			4P -> 250/92		D: 304 Incl. 3 OR				
13	Coupling D:24	KL10AAP			4P -160/15						
		KL10AAQ			4P ->200/40						
		KL10AAS	2P ->160/185								
		KL10AAT	2P - 200/220								
	Coupling D:29	KL10AAV			4P - 250/92						
		KL10AAW	2P ->200/370								
10	Imp.lock kit M16	KL39AAB	2P->200/220; 4P->200/40								
	Imp.lock kit M20	KL39AAC	2P->200/370; 4P->250/92								
14	Fill-Drain plug FPM	KL34AAD	All Versions (->65/250)								
	Fill-Drain plug EPR	KL34AAE	All Versions (->65/250)								

Single Unit, 2P

1	Pump body	151380210	151380210	151380210	151380220		151380220	151380220
11	Support foot	On Motor	On Motor	On Motor	On Motor		On Motor	On Motor
3	Seal-housing	150102371	150102371	150102371	150102371		150102382	150102382
4	Adaptor	161452910	161452910	161452910	161452910		161452910	161452910
5	Wear ring	168601610	168601610	168601610	168601610		168601610	168601610
6	Back wear ring	168601280	168601280	168601280	168601280		168601280	168601280
9**	Motor 3 ~, 2P	107106412	107106422	107106432	107106448		130643701	130643711
	Size	160	160	160	160		200	200
12	Mot/connector	167350140	167350140	167350140	167350140		167350200	167350200

Single Unit, 4P

1	Pump body	151380210	151380210	151380210	151380220	151380220		151380230	151380230	151380230
11	Support foot	161401871	161401871	161401871	161401871	161401871		161401971	161401971	161401971
3	Seal-housing	150102371	150102371	150102371	150102371	150102371		150102392	150102392	150102392
4	Adaptor	161452910	161452920	161452920	161452920	161452920		161452480	161452480	161452480
5	Wear ring	168601610	168601610	168601610	168601610	168601610		168601610	168601610	168601610
6	Back wear ring	168601280	168601280	168601280	168601280	168601280		168601280	168601280	168601280
9**	Motor 3 ~, 4P	107106621	107106651	107106651	107106661	107106681		107106711	107106721	130646731
	Size	90	100	100	100	112		132	132	132
12	Mot/connector	167350150	167350160	167350160	167350160	167350160		167350130	167350130	167350130

On motor means "On motor only"

* Recommended spares

** Motor spares: see motor lists.

SHS 25-80_5_Jan00_EdB