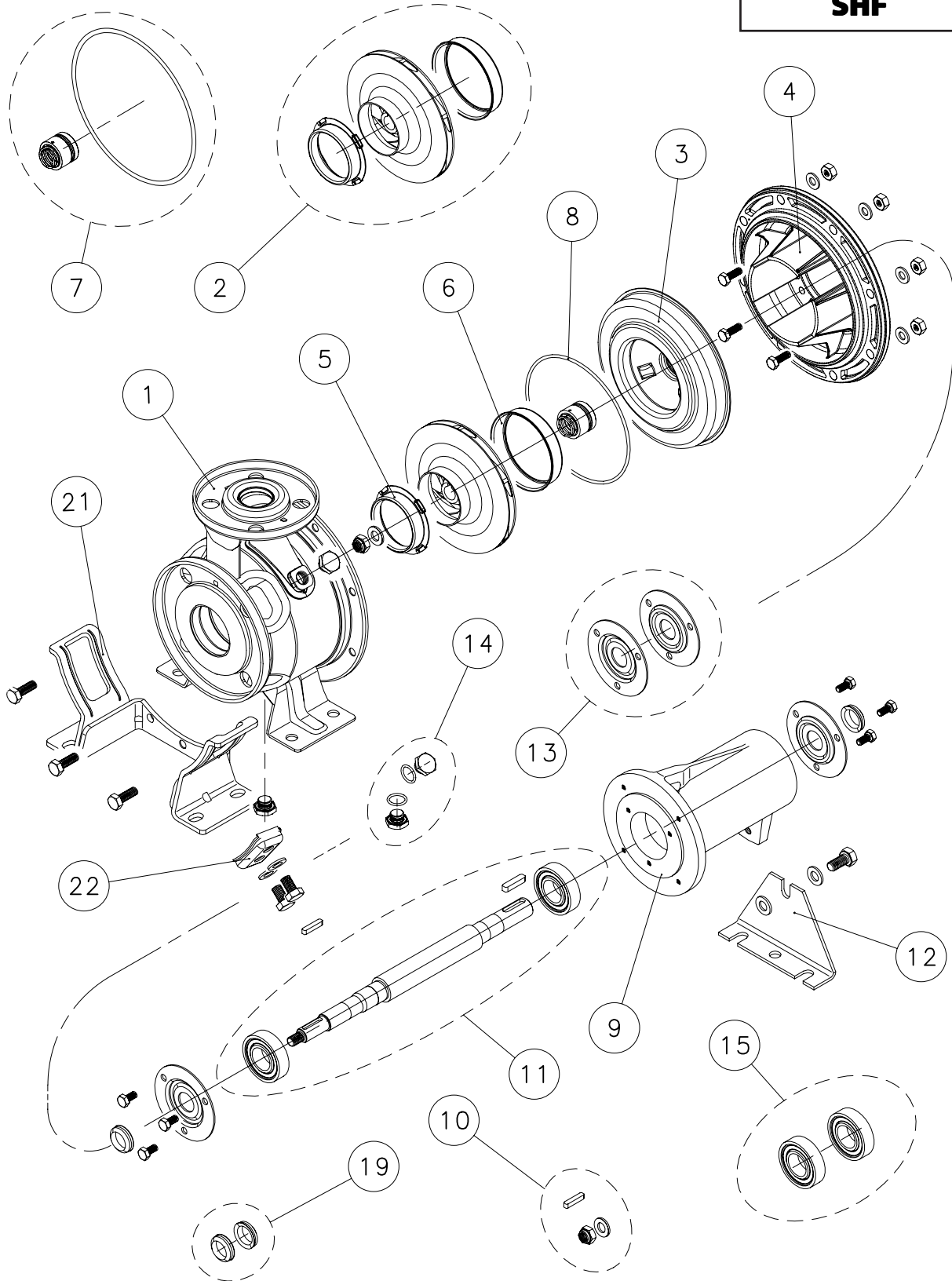




ITT

Lowara

SHF



04974_C_DE

**IT**

N.	Descrizione it	Description en	Description fr	Beschreibung de	Descripción es	Descrição pt
1	Corpo pompa completo	Complete pump body	Corps de pompe complet	Kompletter pumpengehäuse	Caja bomba completa	Corpo da bomba completo
2	Girante e anelli di usura	Impeller and wear rings	Roue et anneaux d'usure	Lauftrad und Verschleißringe	Rodete y anillos de desgaste	Impulsor e anéis compensadores de desgaste
3	Disco portatenuta (con anello di usura)	Seal housing (with wear ring)	Disque d'étanchéité (avec anneau d'usure)	Dichtungsscheibe (mit Ausgleichsring)	Disco de alojamiento retén (con anillo de desgaste)	Disco porta-vedante (com anel compensador de desgaste)
4	Lanterna	Adaptor	Lanterne	Antriebslaterne	Adaptador	Adaptador
5	Rasamento anteriore	Front wear plate	Bague pour régulation du jeu axial avant	Vordere Ausgleichsscheibe	Espesor delantero	Casquillo anterior
6	Rasamento posteriore	Back wear plate	Bague pour régulation du jeu axial arrière	Hintere Ausgleichsscheibe	Espesor trasero	Casquillo posterior
7	Tenuta meccanica e guarnizione OR	Mechanical seal and O-Ring	Garniture mécanique et joint torique	Gleitringdichtung und O-Ring	Retén mecánico y aro tórico	Vedante mecánico e vedação OR
8	Guarnizione OR	O-Ring	Joint torique	O-Ring	Aro tórico	Vedação OR
9	Corpo supporto	Support body	Corps support	Lagerungsgehäuse	Caja soporte	Corpo suporte
10	Gruppo fissaggio girante (dado, rosetta e linguetta)	Impeller locking group (nut, washer and key)	Groupe de fixation roue (ecrou, rondelle et clavette)	Befestigungsgruppe Lauftrad (Feststellmutter, Unterlegscheibe und Passfeder)	Grupo de fijación rodete (tuerca, arandela y lengüeta)	Grupo de fixação do impulsor (porca, anilha e lingueta)
11	Albero con cuscinetti	Shaft with bearings	Arbre avec roulements	Welle mit Lagern	Eje con cojinetes	Veio com rolamentos
12	Sostegno supporto	Support holder	Pied de support	Lagerungshalterung	Apoyo del soporte	Sustento suporte
13	Coperchietti	Covers	Petits couvercles	Deckel	Tapas	Tampas
14	Kit tappi	Plug kit	Kit bouchons	Verschlussrauben-Kit	Kit tapones	Kit tampões
15	Cuscinetti	Bearings	Roulements	Lager	Cojinetes	Rolamentos
19	Anelli di tenuta	Seal rings	Bagues d'étanchéité	Dichtungsring	Sellos estancos	Anéis de vedação
21	Sostegno corpo pompa	Pump body support	Support corps de pompe	Pumpengehäusehalterung	Soporte caja bomba	Suporte corpo bomba
22	Coperchietto	Cover	Couvercle	Deckel	Tapa	Tampa
N.	Beschrijving nl	Περιγραφή el	Açıklama tr	Kuvaus fi	Описание ru	Opis pl
1	Compleet pomphuis	Πλήρες σώμα αντλίας	Komple pompa gövdesi	Täydellinen pumpun runko	Полный корпус насоса	Kompletny korpus pompy
2	Waaier en slijtringen	Πτερύγιο και δακτύλιο τριβής	Pompa rotoru ve aşınma halkaları	Juoksupyörä ja kulumisrenkaat	Рабочее колесо и изнашиваемые кольца	Wirnik i pierścienie wymienne
3	Dichtingssteunplaat (met slijtring)	Δίσκος μηχανικού στυπιοθλίπτη και δακτύλιος τριβής	Sızdırmazlık diskisi (aşınma halkası ile)	Tiivisteen kannatuslevy (kulumisrenkaalla)	Диск держателя прокладки (с изнашиваемым кольцом)	Tarcza uszczelki (z wymiennym pierścieniem)
4	Lantaarnstuk	Μπρακέτο	Adaptör	Sovitin	Адаптер	Lampa
5	Voorste schraapring	Πρόσθιος δακτύλιος τριβής	Ön ara halkası	Etuvälilevy	Передняя утолщающая прокладка	Wyglądanie przednie
6	Achterste schraapring	Οπίσθιος δακτύλιος τριβής	Arka ara halkası	Takavälilevy	Задняя утолщающая прокладка	Wyglądanie tylne
7	Mechanische asafdichting en O-ringafdichting	Μηχανικός στυπιοθλίπτης και ροδέλες στεγανοποίησης	Mekanik conta ve O-Ring	Mekaaninen tiiviste ja O-rengas	Механическая прокладка и уплотнение OR	Uszczelnienie mechaniczne i uszczelka O-Ring
8	O-ringafdichting	Ροδέλα στεγανοποίησης	O-Ring	O-rengas	Прокладка OR	Uszczelka O-Ring
9	Steunlichaam	Έδρανο	Destek gövdesi	Kannattimen runko	Корпус опоры	Korpus wspornika
10	Waaierbevestigingsblok (moer, ring en spie)	Σετ ασφάλισης περυγίου (παξιμάδι, ροδέλα, σφήνα)	Pompa rotorunu sabitleme takımı (somun, rondela ve kama)	Juoksupyörän kiinnityskokonaisuus (mutteri, väli rengas ja kiila)	Узел фиксации рабочего колеса (гайка, шайба и шпонка)	Zespół mocujący wirnika (nakrętka, podkładka i wpust)
11	As met lagers	Σετ άξονα με ρουλεμάν	Rulmanlı mil	Akseli ja laakerit	Вал с подшипниками	Wał z łożyskami
12	Steun	Πέλμα εδράνου	Destek mesnedi	Kannattimen tuki	Держатель опоры	Podpora wspornika
13	Kapjes	Καλύμματα	Küçük kapaklar	Kannet	Крышки	Pokrywki
14	Stoppenset	Σετ ταπών	Tapa kiti	Tulppasarja	Набор пробок	Zestaw zatyczek
15	Lagers	Σετ ρουλεμάν	Rulmanlar	Laakerit	Подшипники	łożyska
19	Dichtingsringen	Τσιμούχες άξονα	Sızdırmazlık halkaları	Tiivistysrenkaat	Уплотнительные кольца	Pierścienie uszczelniające
21	Steun pomplichaam	Πέλμα στήριξης	Pompa gövdesi mesnedi	Pumpun rungon tuki	Опора корпуса насоса	Podpora korpusu pompy
22	Kapje	Στήριγμα πέλματος	Küçük kapak	Kansi	Крышка	Pokrywka

SHF-pompa-descr_b_sc

Lowa



ITT

Lowara

Production date > Jan00

SHF 25 - SHF4 25

ELP 3~, 2P	25-125/07	25-125/11	25-160/15	25-160/22	25-200/30	25-200/40	25-250/55	25-250/75	25-250/110
	TBD	107430270	102201320	102201325	102201330	102201335	TBD	TBD	TBD
kW ->	0,75	1,1	1,5	2,2	3,0	4,0	5,5	7,5	11,0
ELP 3~, 4P	25-125/02A	25-125/02	25-160/02	25-160/03	25-200/03	25-200/05	25-250/07		
	107430520	107430530	107430540	107430550	107430560	107430570	107430580		
kW ->	0,25	0,25	0,25	0,37	0,37	0,55	0,75		

Kit

*4	Flexible coupling	KL10AA0	KL10AA0	KL10AA1	KL10AA1	KL10AA2	KL10AA2	KL10AA3	KL10AA3	KL10AA4
		KL10AAZ	KL10AAZ	KL10AAZ	KL10AAZ	KL10AAZ	KL10AA0	KL10AA0		
10	Coupling blocks	KL41AAK	KL41AAK	KL41AAK	KL41AAK	KL41AAL	KL41AAL	KL41AAM	KL41AAM	KL41AAM
		KL41AAK	KL41AAK	KL41AAK	KL41AAK	KL41AAK	KL41AAK	KL41AAK		

Single Unit, 2P

1	Pump	TBD	102209270	102209280	102209290	TBD	102209310	TBD	TBD	TBD
8	Pump shims									
**2	Motor 3~, 2P	107230460	107230480	107106230	107106240	107106290	107106320	107106360	107106370	107106410
		80	80	90	90	100	112	132	132	160
3	Base	151403600	151403600	151403620	151403620	151403620	151403620	151403680	151403680	151403710
5	Protection net	164600240	164600240	164600240	164600240	164600250	164600250	164600260	164600260	164600270
6	Protection disc	160101230	160101230	160101230	160101230	160101230	160101230	160101230	160101230	160101230
7	Protection ring	168601120	168601120	168601120	168601120	168601120	168601120	168601120	168601120	168601120
9	Motor shims X 2	161402550	161402550	161402340	161402340	161403010	161402990	161402990	161402990	161402990
		161402570	161402570	161402400	161402400	161403010	161402990	161402990	161402990	161402590

Single Unit, 4P

1	Pump	TBD	102209270	102209280	102209290	102209300	102209310	102209320		
8	Pump shims									
**2	Motor 3~, 4P	107230600	107230600	107230600	107230660	107230660	107230720	107230780		
	Size	71	71	71	71	71	80	80		
3	Base	151403600	151403600	151403600	151403600	151403600	151403600	151403650		
5	Protection net	164600240	164600240	164600240	164600240	164600240	164600240	164600240		
6	Protection disc	160101230	160101230	160101230	160101230	160101230	160101230	160101230		
7	Protection ring	168601120	168601120	168601120	168601120	168601120	168601120	168601120		
9	Motor shims X 4	161403150	161403150	161403170	161403170	161403190	161402760	161402970		

TBD = To Be Defined

- * Recommended spares
- * Motor spares: see motor lists



ITT

Lowara

Production date > Jan00

SHF 32 - SHF4 32

ELP 3~, 2P	32-125/07	32-125/11	32-160/15	32-160/22	32-200/30	32-200/40	32-250/55	32-250/75	32-250/110
	107430360	107430370	102201380	102201390	102201400	102201410	102201420	102201430	102201440
	0,75	1,1	1,5	2,2	3,0	4,0	5,5	7,5	11,0
ELP 3~, 4P	32-125/02A	32-125/02	32-160/02	32-160/03	32-200/03	32-200/05	32-250/07	32-250/11	32-250/15
	107430600	107430610	107430620	107430630	107430640	107430650	107430660	102206430	102206440
	0,25	0,25	0,25	0,37	0,37	0,55	0,75	1,1	1,5
	Motor SM - finned		Motor LM - SM				Motor LM - with tie rods		

Kit

*4	Flexible coupling	KL10AA0	KL10AA0	KL10AA1	KL10AA1	KL10AA2	KL10AA2	KL10AA3	KL10AA3	KL10AA4
		KL10AAZ	KL10AAZ	KL10AAZ	KL10AAZ	KL10AAZ	KL10AA0	KL10AA0	KL10AA1	KL10AA1
10	Coupling blocks	KL41AAK	KL41AAK	KL41AAK	KL41AAK	KL41AAL	KL41AAL	KL41AAM	KL41AAM	KL41AAM
		KL41AAK	KL41AAK	KL41AAK	KL41AAK	KL41AAK	KL41AAK	KL41AAK	KL41AAK	KL41AAK

Single Unit, 2P

1	Pump	102209360	102209370	102209380	102209390	102209400	102209410	102209420	102209430	102209440
8	Pump shims									
**2	Motor 3~, 2P	107230460	107230480	107106230	107106240	107106290	107106320	107106360	107106370	107106410
	Size	80	80	90	90	100	112	132	132	160
3	Base	151403600	151403600	151403620	151403620	151403620	151403620	151403680	151403680	151403710
5	Protection net	164600240	164600240	164600240	164600240	164600250	164600250	164600260	164600260	164600270
6	Protection disc	160101230	160101230	160101230	160101230	160101230	160101230	160101230	160101230	160101230
7	Protection ring	168601120	168601120	168601120	168601120	168601120	168601120	168601120	168601120	168601120
9	Motor shims X 2	161402550	161402550	161402340	161402340	161403010	161402990	161402990	161402990	
		161402570	161402570	161402400	161402400	161403010	161402990	161402990	161402990	161402590

Single Unit, 4P

1	Pump	102209360	102209370	102209380	102209390	102209400	102209410	102209420	102209430	102209440
8	Pump shims									
**2	Motor 3~, 4P	107230600	107230600	107230600	107230660	107230660	107230720	107230780	107106610	107106620
	Size	71	71	71	71	71	80	80		
3	Base	151403600	151403600	151403600	151403600	151403600	151403600	151403650	151403650	151403650
5	Protection net	164600240	164600240	164600240	164600240	164600240	164600240	164600240	164600240	164600240
6	Protection disc	160101230	160101230	160101230	160101230	160101230	160101230	160101230	160101230	160101230
7	Protection ring	168601120	168601120	168601120	168601120	168601120	168601120	168601120	168601120	168601120
9	Motor shims X 4	161403150	161403150	161403170	161403170	161403190	161402760	161402970	161402950	161402950

* Recommended spares

* Motor spares: see motor lists

SHF25-80_5_Jan00_EdB



ITT

Lowara

Production date > Jan00

SHF 40 - SHF4 40

ELP 3~, 2P	40-125/11	40-125/15	40-125/22	40-160/30	40-160/40	40-200/55	40-200/75	40-250/110A	40-250/110	40-250/150
	107430470	102201480	102201500	102201510	102201520	102201530	102201540	102201550	102201560	102201570
kW ->	1,1	1,5	2,2	3,0	4,0	5,5	7,5	11,0	11,0	15,0
ELP 3~, 4P	40-125/02A	40-125/02	40-125/03	40-160/03	40-160/05	40-200/07	40-200/11	40-250/11	40-250/15	40-250/22
	107430680	107430690	107430700	107430710	107430720	107430730	102206540	102206550	102206560	102206570
kW ->	0,25	0,25	0,37	0,37	0,55	0,75	1,1	1,1	1,5	2,2

Kit

*4	Flexible coupling	KL10AA0	KL10AA1	KL10AA1	KL10AA2	KL10AA2	KL10AA6	KL10AA6	KL10AA4	KL10AA4	KL10AA4
		KL10AAZ	KL10AAZ	KL10AAZ	KL10AAZ	KL10AA0	KL10AA0	KL10AA1	KL10AA1	KL10AA1	KL10AA1
10	Coupling blocks	KL41AAK	KL41AAK	KL41AAK	KL41AAL	KL41AAL	KL41AAM	KL41AAM	KL41AAM	KL41AAM	KL41AAM
		KL41AAK	KL41AAK	KL41AAK	KL41AAK	KL41AAK	KL41AAK	KL41AAK	KL41AAK	KL41AAK	KL41AAK

Single Unit, 2P

1	Pump	102209470	102209480	102209500	102209510	102209520	102209530	102209540	102209550	102209560	102209570
8	Pump shims										
**2	Motor 3~, 2P	107230480	107106230	107106240	107106290	107106320	107106360	107106370	107106410	107106410	107106420
	Size	80	90	90	100	112	132	132	160	160	160
3	Base	151403630	151403630	151403630	151403620	151403620	151403660	151403660	151403710	151403710	151403710
5	Protection net	164600240	164600240	164600240	164600250	164600250	164600260	164600260	164600270	164600270	164600270
6	Protection disc	160101230	160101230	160101230	160101230	160101230	160101230	160101230	160101230	160101230	160101230
7	Protection ring	168601120	168601120	168601120	168601120	168601120	168601120	168601120	168601120	168601120	168601120
9	Motor shims X 2	161402550	161402320	161402320	161402360		161402440	161402440			
		161402570	161402340	161402340	161402380	161402380	161402460	161402460	161402590	161402590	161402590

Single Unit, 4P

1	Pump	102209500	102209510	102209520	102209530	102209540	102209550	102209560	102209570	102209470	102209490
8	Pump shims										
**2	Motor 3~, 4P	107230600	107230600	107230660	107230660	107230720	107230780	107106610	107106610	107106620	107106650
	Size	71	71	71	71	80	80	90	90	90	100
3	Base	151403610	151403610	151403610	151403600	151403600	151403630	151403630	151403650	151403650	151403650
5	Protection net	164600240	164600240	164600240	164600240	164600240	164600240	164600240	164600240	164600240	164600250
6	Protection disc	160101230	160101230	160101230	160101230	160101230	160101230	160101230	160101230	160101230	160101230
7	Protection ring	168601120	168601120	168601120	168601120	168601120	168601120	168601120	168601120	168601120	168601120
9	Motor shims X 4	161403150	161403150	161403150	161403170	161402720	161402760	161402740	161402950	161402950	161403050

* Recommended spares

* Motor spares: see motor lists

SHF25-80_5_Jan00_EdB



ITT

Lowara

Production date > Mar02

SHF 50 - SHF4 50

ELP 3~, 2P	50-125/22	50-125/30	50-125/40	50-160/55	50-160/75	50-200/110A	50-200/110	50-250/150	50-250/185	50-250/220
	102201580	102201590	102201600	102201610	102201620	102201630	102201640	102201650	102201660	102201670
kW ->	2,2	3,0	4,0	5,5	7,5	11,0	11,0	15,0	18,5	22,0
ELP 3~, 4P	50-125/03A	50-125/03	50-125/05	50-160/07	50-160/11	50-200/11	50-200/15	50-250/22A	50-250/22	50-250/30
	107430750	107430760	107430770	107430780	102206620	102206630	102206640	102206650	102206660	102206670
kW ->	0,37	0,37	0,55	0,75	1,1	1,1	1,5	2,2	2,2	3,0

Kit

*4	Flexible coupling	KL10AA1	KL10AA2	KL10AA2	KL10AA3	KL10AA3	KL10AA4	KL10AA4	KL10AA4	KL10AA4	KL10AA7
		KL10AAZ	KL10AAZ	KL10AA0	KL10AA0	KL10AA1	KL10AA1	KL10AA1	KL10AA1	KL10AA2	KL10AA2
10	Coupling blocks	KL41AAK	KL41AAL	KL41AAL	KL41AAM	KL41AAM	KL41AAM	KL41AAM	KL41AAM	KL41AAM	KL41AAN
		KL41AAK	KL41AAK	KL41AAK	KL41AAK	KL41AAK	KL41AAK	KL41AAK	KL41AAK	KL41AAL	KL41AAL

Single Unit, 2P

1	Pump	102209580	102209590	102209600	102209610	102209620	102209630	102209640	102209650	102209660	102209670
8	Pump shims										
**2	Motor 3~, 2P	107106240	107106290	107106320	107106360	107106370	107106410	107106410	107106420	107106430	130643890
	Size	90	100	112	132	132	160	160	160	160	180
3	Base	151403620	151403620	151403620	151403660	151403660	151403670	151403670	151403710	151403710	151403730
5	Protection net	164600240	164600250	164600250	164600260	164600260	164600270	164600270	164600270	164600270	164600270
6	Protection disc	160101230	160101230	160101230	160101230	160101230	160101230	160101230	160101230	160101230	160101230
7	Protection ring	168601120	168601120	168601120	168601120	168601120	168601120	168601120	168601120	168601120	168601120
9	Motor shims X 2	161402340	161402360		161402440	161402440					
		161402400	161402380	161402380	161402460	161402460			161402590	161402590	

Single Unit, 4P

1	Pump	102209580	102209590	102209600	102209610	102209620	102209630	102209640	102209650	102209660	102209670
8	Pump shims										
**2	Motor 3~, 4P	107230660	107230660	107230720	107230780	107106610	107106610	107106620	107106650	107106650	107106660
	Size	71	71	80	80	90	90	90	100	100	100
3	Base	151403600	151403600	151403600	151403630	151403630	151403630	151403630	151403650	151403650	151403650
5	Protection net	164600240	164600240	164600240	164600240	164600240	164600240	164600240	164600250	164600250	164600250
6	Protection disc	160101230	160101230	160101230	160101230	160101230	160101230	160101230	160101230	160101230	160101230
7	Protection ring	168601120	168601120	168601120	168601120	168601120	168601120	168601120	168601120	168601120	168601120
9	Motor shims X 4	161403170	161403170	161402720	161402760	161402740	161402740	161402740	161403050	161403050	161403050

* Recommended spares
* Motor spares: see motor lists



ITT

Lowara

Production date > Jan00

SHF 65 - SHF4 65

ELP 3~, 2P	65-160/40	65-160/55	65-160/75	65-160/110A	65-160/110	65-200/150	65-200/185	65-200/220	65-250/300	65-250/370
	102201700	102201710	102201720	102201740	102201750	102201780	102201790	102201800	102201840	102201860
kW ->	4,0	5,5	7,5	11,0	11,0	15,0	18,5	22,0	30,0	37,0
ELP 3~, 4P	65-160/05	65-160/07	65-160/11A	65-160/11	65-160/15	65-200/15	65-200/22	65-200/30	65-250/40	65-250/55
	107430800	107430810	102206720	102206730	102206770	102206780	102206790	102206810	102206850	102206870
kW ->	0,55	0,75	1,1	1,1	1,5	1,5	2,2	3,0	4,0	5,5

Kit

*4	Flexible coupling	KL10AA2	KL10AA3	KL10AA3	KL10AA4	KL10AA4	KL10AA4	KL10AA4	KL10AA8	KL10AA9	KL10AA9
		KL10AA0	KL10AA0	KL10AA1	KL10AA1	KL10AA1	KL10AA1	KL10AA2	KL10AA5	KL10AA5	KL10AA6
10	Coupling blocks	KL41AAL	KL41AAM	KL41AAM	KL41AAM	KL41AAM	KL41AAM	KL41AAM	KL41AAN	KL41AAP	KL41AAP
		KL41AAK	KL41AAK	KL41AAK	KL41AAK	KL41AAK	KL41AAK	KL41AAL	KL41AAM	KL41AAM	KL41AAM

Single Unit, 2P

1	Pump	102209705	102209710	102209720	102209740	102209750	102209780	102209790	102209800	102209850	102209870
8	Pump shims										
**2	Motor, 3~, 2P	130646320	130646360	130646370	130646410	130646410	130646420	130646430	130643890	130643900	130643910
	Size	112	132	132	160	160	160	160	180	200	200
3	Base	151403650	151403650	151403650	151403720	151403720	151403710	151403710	151403730	151403750	151403750
5	Protection net	164600250	164600270	164600270	164600270	164600270	164600270	164600270	164600270	164600620	164600620
6	Protection disc	160101230	160101230	160101230	160101230	160101230	160101230	160101230	150101850	150101850	150101850
7	Protection ring	168601120	168601120	168601120	168601120	168601120	168601120	168601120	168601120	168601130	168601130
9	Motor shims	161402990	161402440	161402440						16403230X1	16403230X1
		161402990	161402460	161402460		161402590	161402590	161402590	161402590	161403250	161403250

Single Unit, 4P

1	Pump	TBD	102209710	102209730	102209740	102209750	102209775	102209790	102209810	102209850	102209870
8	Pump shims										
**2	Motor, 3~, 4P	107230720	107230780	107106610	107106610	107106620	107106620	107106650	107106660	107106680	107106710
	Size	80	80	90	90	92	92	100	100	112	132
3	Base	151403640	151403640	151403650	151403650	151403650	151403650	151403680	151403680	151403690	151403690
5	Protection net	164600590	164600590	164600590	164600590	164600590	164600590	164600590	164600590	164600610	164600610
6	Protection disc	160101230	160101230	160101230	160101230	160101230	160101230	160101230	160101230	150101850	150101850
7	Protection ring	168601120	168601120	168601120	168601120	168601120	168601120	168601120	168601120	168601130	168601130
9	Motor shims	161402760	161402760	161402740	161402740	161402740	161402950	161403050	161403050	161403130	161403030
		161402760	161402760	161402740	161402740	161402740	161402950	161403050	161403050	161403130	161403030

Pump and Motor shims: pls consider P/N X 2 , Except if otherwise signed

TBD = To Be Defined

- * Recommended spares
- * Motor spares: see motor lists



ITT

Lowara

Production date > Jan00

SHF 80 - SHF4 80

ELP 3 ~, 2P	80-160/110	80-160/150	80-160/185	80-200/220		80-200/300	80-200/370	80-250/450	80-250/550	80-250/750
	102201880	102201890	102201900	102201920		102201930	102201940	102201970	102201980	102201990
kw ->	11.0	15.0	18.5	22.0		30.0	37.0	45.0	55.0	75.0
ELP 3 ~, 4P	80-160/15	80-160/22A	80-160/22	80-200/30	80-200/40			80-250/55	80-250/75	80-250/92
	102206880	102206900	102206910	102206920	102206930			102206970	102206980	102206990
kw ->	1.5	2.2	2.2	3.0	4.0			5.5	7.5	9.2

Kit

*4	Flexible coupling	KL10AA4	KL10AA4	KL10AA4	KL10AA8		KL10AA9	KL10AA9	KL10AA9	KL10ABA	KL10AA6
		KL10AA1	KL10AA2	KL10AA2	KL10AA5	KL10AA5			KL10AA6	KL10AA6	KL10ABB
10	Coupling blocks	KL41AAM	KL41AAM	KL41AAM	KL41AAN		KL41AAP	KL41AAP	KL41AAP	KL41AAQ	KL41AAM
		KL41AAK	KL41AAL	KL41AAL	KL41AAM	KL41AAM			KL41AAM	KL41AAM	KL41AAR

Single Unit, 2P

1	Pump	102209880	102209890	102209900	102209920		102209940	102209950	102209970	102209980	102209990
8	Pump shims								161407830		
**2	Motor 3~, 2P	107106410	107106420	107106430	130643890		130643900	130643910	130643920	130643930	130643940
	Size	160	160	160	180		200	200	225	250	280
3	Base	151403710	151403710	151403710	151403720		151403760	151403760	151403770	151403780	151403790
5	Protection net	164600270	164600270	164600270	164600620		164600620	164600620	164600620	164600630	164600630
6	Protection disc	160101230	160101230	160101230	160101850		160101850	160101850	160101850	160101850	160101850
7	Protection ring	168601120	168601120	168601120	168601130		168601130	168601130	168601130	168601130	168601130
									161404360x1		
									161404380		
							161403230x1	161403230x1	161407780x1		
9	Motor shims	161402590	161402590	161402590	161402590		161403250	161403250	161407800	161404690	

Single Unit, 4P

1	Pump	102209880	102209890	102209900	102209920	102209930			102209970	102209980	102209990
									161407810	161407810	161407810
**2	Motor 3~, 4P	107106620	107106650	107106650	107106660	107106680			107106710	107106720	130646730
	Size	90	100	100	100	112			132	132	132
3	Base	151403650	151403680	151403680	151403700	151403700			151403730	151403730	151403730
5	Protection net	164600610	164600250	164600250	164600610	164600610			164600610	164600610	164600610
6	Protection disc	160101850	160101850	160101850	160101850	160101850			160101850	160101850	160101850
7	Protection ring	168601130	168601120	168601120	168601130	168601130			168601130	168601130	168601130
		161402950	161403050	161403050	161403050	161403030			161407770x1	161407770x1	161407770x1
9	Motor shims	161402950	161403050	161403050	161403050	161403030			161407790	161407790	161407790

Pump and Motor shims: pls consider P/N X 2 , Except if otherwise signed

* Recommended spares
* Motor spares: see motor lists