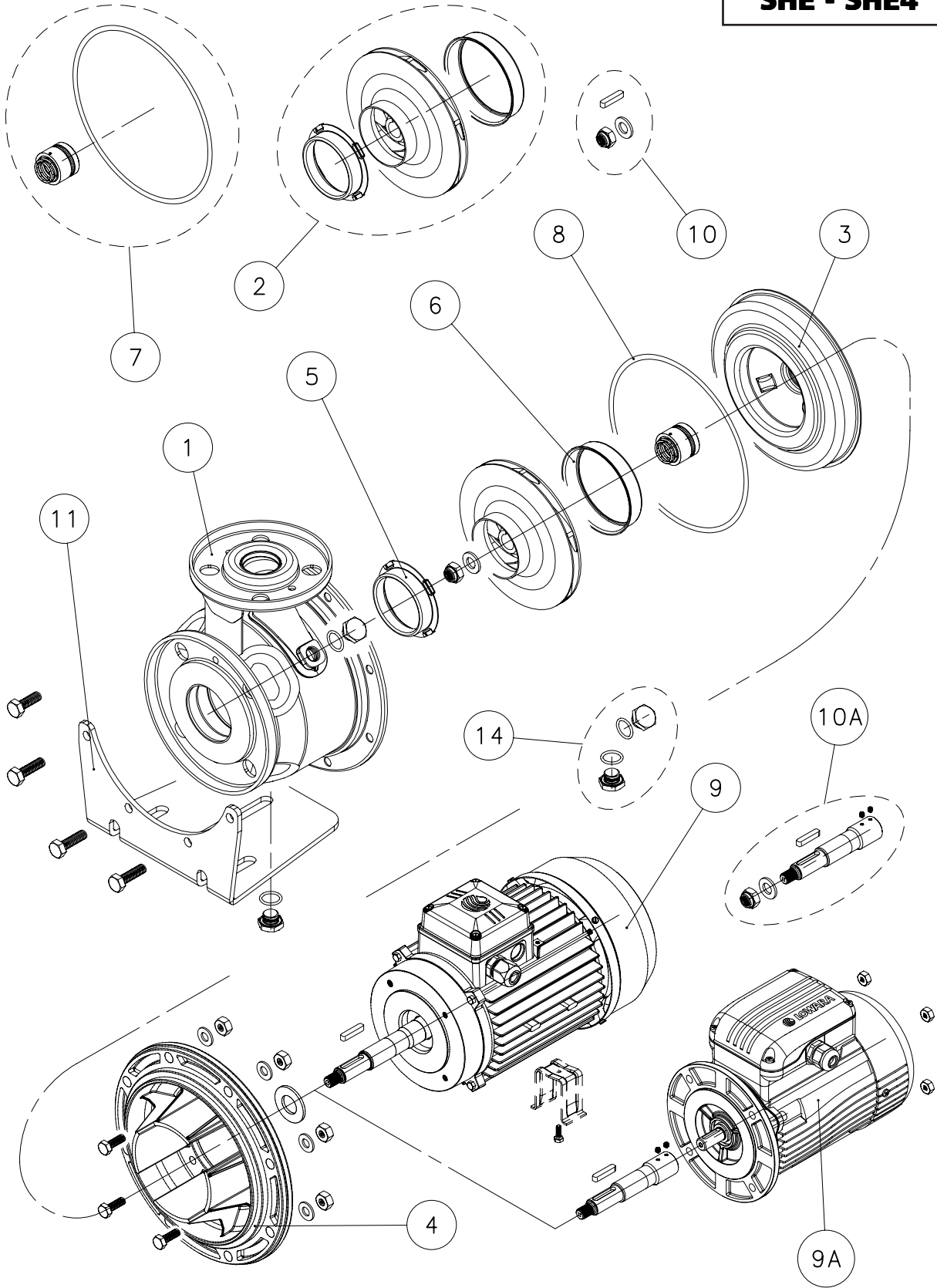




ITT

Lowara

SHE - SHE4



04900_C_DE



N.	Descrizione it	Description en	Description fr	Beschreibung de	Descripción es	Descrição pt
1	Corpo pompa completo	Complete pump body	Corps de pompe complete	Kompletter pumpengehäuse	Caja bomba completa	Corpo da bomba complete
2	Girante e anelli di usura	Impeller and wear rings	Roue et anneaux d'usure	Laufrad und Verschleißringe	Rodete y anillos de desgaste	Impulsor e anéis compensadores de desgaste
3	Disco portatenuta (con anello di usura)	Seal housing disc (with wear ring)	Disque d'étanchéité (avec anneau d'usure)	Dichtungsscheibe (mit Ausgleichsring)	Disco de alojamiento retén (con anillo de desgaste)	Disco porta-vedante (com anel compensador de desgaste)
4	Lanterna	Adaptor	Lanterne	Antriebslaterne	Adaptador	Adaptador
5	Rasamento anteriore	Front wear plate	Bague pour régulation du jeu axial avant	Vordere Ausgleichsscheibe	Espesor delantero	Casquilho anterior
6	Rasamento posteriore	Back wear plate	Bague pour régulation du jeu axial arrière	Hintere Ausgleichsscheibe	Espesor trasero	Casquilho posterior
7	Tenuta meccanica e guarnizione OR	Mechanical seal and O-Ring	Garniture mécanique et joint torique	Gleitringdichtung und O-Ring	Retén mecánico y aro tórico	Vedante mecânico e vedação OR
8	Guarnizione OR	O-Ring	Joint torique	O-Ring	Aro tórico	Vedação OR
9	Motore completo	Complete motor	Moteur complet	Kompletter Motor	Motor completo	Motor complete
9A	Motore completo (solo 4 poli grandezza 71)	Complete motor (4-poles size 71 only)	Moteur complet (uniquement 4 pôles taille 71)	Kompletter Motor (nur 4polig Größe 71)	Motor completo (sólo 4 polos tamaño 71)	Motor complete (só 4 pólos grandezza 71)
10	Gruppo fissaggio girante (dado, rosetta e linguetta)	Impeller locking group (nut, washer and key)	Groupe de fixation roue (ecrou, rondelle et clavette)	Befestigungsgruppe Laufrads auf (Feststellmutter, Unterlegscheibe und Passfeder)	Grupo de fijación rodete (tuerca, arandela y lengüeta)	Grupo de fixação do impulsor (porca, anilha e lingueta)
10A	Giunto con gruppo fissaggio girante (solo 4 poli grandezza 71)	Coupling with impeller locking group (4-poles size 71 only)	Manchon avec groupe de fixation roue (uniquement 4 pôles taille 71)	Kupplung mit Befestigungsgruppe Laufrad (nur 4polig Größe 71)	Junta con grupo de fijación rodete (sólo 4 polos tamaño 71)	Junta com grupo de fixação do impulsor (só 4 pólos grandezza 71)
11	Piede di sostegno	Support foot	Pied d'appui	Stützfuß	Pie de soporte	Pé de apoio
14	Kit tappi	Plug kit	Kit bouchons	Verschlusschrauben-Kit	Kit tapones	Kit tampões
N.	Beschrijving nl	Περιγραφή el	Açıklama tr	Kuvaus fi	Описание ru	Opis pl
1	Compleet pomhuis	Πλήρες σώμα αντλίας	Komple pompa göndesi	Täydellinen pumpun runko	Полный корпус насоса	Kompletny korpus pompy
2	Waaier en slijtringen	Πτερύγιο και δακτύλιοι τριβής	Pompa rotoru ve aşınma halkaları	Juoksupyörä ja kulumisrenkaat	Рабочее колесо и изнашиваемые кольца	Wirnik i pierścienie wymienne
3	Dichtingssteunplaat (met slijtring)	Δίσκος μηχανικού στυποθλιπτή και δακτύλιος τριβής	Sızdırmazlık diskisi (aşınma halkası ile)	Tiivisteen kannatuslevy (kulumisrenkaalla)	Диск держателя прокладки (с изнашиваемым кольцом)	Tarcza uszczelki (z wymiennym pierścieniem)
4	Lantaarstuk	Μπρακέτο	Adaptör	Sovitin	Адаптер	Lampa
5	Voorste schraapring	Πρόσθιος δακτύλιος τριβής	Ön ara halkası	Etuvälilevy	Передняя утолщающая прокладка	Wyglądanie przednie
6	Achterste schraapring	Οπίσθιος δακτύλιος τριβής	Arka ara halkası	Takavälilevy	Задняя утолщающая прокладка	Wyglądanie tylne
7	Mechanische asafdichting en O-ringafdichting	Μηχανικός στυποθλιπτή και ροδέλες στεγανοποίησης	Mekanik conta ve O-Ring	Mekaaninen tiiviste ja O-rengas	Механическая прокладка и уплотнение OR	Uszczelnienie mechaniczne i uszczelka O-Ring
8	O-ringafdichting	Ροδέλα στεγανοποίησης	O-Ring	O-rengas	Прокладка OR	Uszczelka O-Ring
9	Complete motor	Πλήρης κινητήρας	Komple motor	Täydellinen moottori	Укомплектованный двигатель	Kompletny silnik
9A	Complete motor (alleen 4-polig grootte 71)	Πλήρης κινητήρας (τετραπολικό μόνο μεγέθους 71)	Komple motor (sadece 4 kutuplu; boyu: 71)	Täydellinen moottori (ainoastaan 4 naapa, koko 71)	Укомплектованный двигатель (только 4 полюса величина 71)	Kompletny silnik (tylko 4 bieguny wielkość 71)
10	Waaierbevestigingsblok (moer, ring en spie)	Σετ ασφάλισης περυγίου (παξιμάδι, ροδέλα, σφήνα)	Pompa rotorunu sabitleme takımı (somun, rondela ve kama)	Juoksupyörän kiinnityskokonaisuus (mutteri, välirengas ja kiila)	Узел фиксации рабочего колеса (гайка, шайба и шпонка)	Zespół mocujący wirnika (nakrętka, podkładka i wpust)
10A	Koppeling met waaierbevestigingsblok (alleen 4-polig grootte 71)	Προέκταση άξονα και σετ ασφάλισης περυγίου	Pompa rotorunu sabitleme takımı ile mafsal (sadece 4 kutuplu; boyu: 71)	Liitos juoksupyörän kiinnityskokonaisuudella (ainoastaan 4 naapa, koko 71)	Соединение с узлом фиксации рабочего колеса (только 4 полюса величина 71)	Złącze z zespołem mocującym wirnika (tylko 4 bieguny wielkość 71)
11	Steunpoot	Πέλμα στήριξης	Destek ayağı	Tukijalka	Опорная ножка	Nóżka wspornikowa
14	Stoppenset	Σετ ταπών	Tapa kiti	Tulppasarja	Набор пробок	Zestaw zatyczek

SHE-SHE4-descr_b_sc

Lowara

SSH SEALS KIT

MECH. SEALS		002232201 3K/22 XYXY2VY	002232802 3K/28 XYXY2VY	002233302 3K/33 XYXY2VY	002232204 3K/22 X7X72V7	002232801 3K/28 X7X72V7	002233301 3K/33 X7X72V7
002221688 GUAR OR 158.10x5.34 FPM	1						
002221691 GUAR OR 189.86x5.34 FPM	2						
002221694 GUAR OR 221.61x5.34 FPM	3						
002221696 GUAR OR 247.01x5.34 FPM	4						
002221697 GUAR OR 278.76x5.34 FPM	5						
002221698 GUAR OR 304.16x5.34 FPM	6						
002221888 GUAR OR 158.10x5.34 EPDM	7						
002221891 GUAR OR 189.86x5.34 EPDM	8						
002221894 GUAR OR 221.61x5.34 EPDM	9						
002221896 GUAR OR 247.01x5.34 EPDM	10						
002221897 GUAR OR 278.76x5.34 EPDM	11						
002221898 GUAR OR 304.16x5.34 EPDM	12						

Each section hatch indicates a single KIT



ITT

Lowara



ITT

Lowara

Production date > Jan00

SHEM 25 SHE 25 - SHE4 25

	25-125/07	25-125/11	25-160/15	25-160/22	25-200/30	25-200/40	25-250/55	25-250/75	25-250/110
ELP 1 ~, 2P		107410510							
ELP 3 ~, 2P	107410000	107410001	107410002	107410003	102200004	102200005	102200010	102200011	102200012
KW ->	0,75	1,1	1,5	2,2	3,0	4,0	5,5	7,5	11,0
	25-125/02A	25-125/02	25-160/02	25-160/03	25-200/03	25-200/05	25-250/07	25-250/11	25-250/15
ELP 3 ~, 4P	107410600	107410610	107410620	107410630	107410640	107410650	107410660	102205011	102205012
KW ->	0,25	0,25	0,25	0,37	0,37	0,55	0,75	1,10	1,50

Kit

	Dia	119	136	150	164	188	205	222	242	256
2*	Impeller 2P	KL04AA9	KL04ABA	KL04ABB	KL04ABC	KL04ABD	KL04ABE	KL04ACK	KL04ACL	KL04ACM
	Impeller 4P	KL04AA9	KL04ABA	KL04ABB	KL04ABC	KL04ABD	KL04ABE	KL04ACK	KL04ACL	KL04ACM

	Material-->	VBVGG	Q1Q1VGG	VBEGG	Q1Q1EGG		
7*	Seal kit	KL01AA0	KL01ACN	KL01ACS	KL01ACW	2P->200/40; 4P -> 200/05	Seal D:22-OR 158/189/221
		KL01AA3	KL01ACP	KL01ACT	KL01ACX		2P->250/110; 4P -> 250/15
8*	OR FPM Kit	KL02AAP	2P -> 160/15		4P -> 160/02		D:158
		KL02AAQ	2P -> 160/22		4P -> 160/03		D:189
		KL02AAR	2P -> 200/40		4P -> 200/05		D:221
		KL02AAS	2P -> 250/110		4P -> 250/15		D:247
	OR EPDM Kit	KL02AAV	2P -> 160/15		4P -> 160/02		D:158
		KL02AAW	2P -> 160/22		4P -> 160/03		D:189
		KL02AAX	2P -> 200/40		4P -> 200/05		D:221
		KL02AAY	2P -> 250/110		4P -> 250/15		D:247
10	Imp. lock kit M12	KL39AAA	All Versions				
10A	Coupling 4P D18	KL10AAG	4P -> 200/03				
14	Fill-Drain plug FPM	KL34AAB					
	Fill-Drain plug EPR	KL34AAC	All Versions				

Single Unit

1	Pump body	151380440	151380440	151380450	151380450	151380460	151380460	151380480	151380480	151380480
11	Support foot	161401830	161401830	161401841	161401841	161401851	161401851	161401871	161401871	161401871
3	Seal Housing	160102000	160102000	160102010	160102010	150102220	160102020	150102230	150102230	150102230
4	Adaptor 2P	161430100	161430100	161430110	161430110	161453120	161430170	161453170	161453170	161452440
	Adaptor 4P	161430150	161430150	161430160	161430160	161430170	161453120	161452440	161452440	161452440
5	Wear ring	168601491	168601491	168601491	168601491	168601491	168601491	168601491	168601491	168601491
6	Back wear ring					465020201		465020201	465020201	465020201
9**	Motor 1 ~, 2P	13278H00E	13278H00F	13282H00F						
	Motor 3 ~, 2P	13274R00E	13274R00F	13278R00F	13282R00F	130647063	130647105	130647137	130647143	130647263
	Motor 3 ~, 4P						13275R00F	13279R00J	130647601	130647610
9A**	Motor 3 ~, 4P	13258R00L	13258R00L	13258R00L	13262R00L	13262R00L				

* Recommended spares

** Motor spares: see motor lists.

SHE25-80_5_Jan00_EdB



ITT

Lowara

Production date > Jan00

SHEM 32 SHE 32 - SHE4 32

	32-125/07	32-125/11	32-160/15	32-160/22	32-200/30	32-200/40	32-250/55	32-250/75	32-250/110
ELP 1 ~, 2P	107410540	107410550	107410560						
ELP 3 ~, 2P	107410020	107410030	107410040	107410050	102200060	102200070	102200090	102200100	102200110
KW ->	0,75	1,1	1,5	2,2	3,0	4,0	5,5	7,5	11,0
	32-125/02A	32-125/02	32-160/02	32-160/03	32-200/03	32-200/05	32-250/07	32-250/11	32-250/15
ELP 3 ~, 4P	107410680	107410690	107410700	107410710	107410720	107410730	107410740	102205100	102205110
KW ->	0,25	0,25	0,25	0,37	0,37	0,55	0,75	1,10	1,50

Kit

	Dia	119	136	150	164	188	205	222	242	256
1*	Impeller 2P	KL04AA9	KL04ABA	KL04ABB	KL04ABC	KL04ABD	KL04ABE	KL04ACK	KL04ACL	KL04ACM
2*	Impeller 4P	KL04AA9	KL04ABA	KL04ABB	KL04ABC	KL04ABD	KL04ABE	KL04ACK	KL04ACL	KL04ACM

	Material-->	VVGG	Q1Q1VGG	VBEGG	Q1Q1EGG		
7*	Seal kit	KL01AA0	KL01ACN	KL01ACS	KL01ACW	2P->200/40; 4P -> 200/05	Seal D:22-OR 158/189/221
		KL01AA3	KL01ACP	KL01ACT	KL01ACX		
	OR FPM Kit	KL02AAP	2P -> 160/15		4P -> 160/02		D:158
		KL02AAQ	2P -> 160/22		4P -> 160/03		D:189
		KL02AAR	2P -> 200/40		4P -> 200/05		D:221
		KL02AAS	2P -> 250/110		4P -> 250/15		D:247
	OR EPDM Kit	KL02AAV	2P -> 160/15		4P -> 160/02		D:158
		KL02AAW	2P -> 160/22		4P -> 160/03		D:189
		KL02AAX	2P -> 200/40		4P -> 200/05		D:221
		KL02AAY	2P -> 250/110		4P -> 250/15		D:247
10	Imp. lock kit M12	KL39AAA	All Versions				
10A	Coupling 4P D18	KL10AAG	4P -> 200/03				
14	Fill-Drain plug FPM	KL34AAB					
	Fill-Drain plug EPR	KL34AAC	All Versions				

Single Unit

1	Pump body	151380040	151380040	151380050	151380050	151380060	151380060	151380070	151380070	151380070
11	Support foot	161401831	161401831	161405710	161405710	161401851	161401851	161401871	161401871	161401871
3	Seal Housing	160102000	160102000	160102010	160102010	150102220	160102020	150102230	150102230	150102230
4	Adaptor 2P	161430100	161430100	161430110	161430110	161453120	161430170	161453170	161453170	161452440
	Adaptor 4P	161430150	161430150	161430160	161430160	161430170	161453120	161452440	161452440	161452440
5	Wear ring	168601491	168601491	168601491	168601491	168601491	168601491	168601491	168601491	168601491
6	Back wear ring					465020201		465020201	465020201	465020201
	Motor 1 ~, 2P	13278H00E	13278H00F	13282H00F						
	Motor 3 ~, 2P	13274R00E	13274R00F	13278R00F	13282R00F	130647063	130647105	130647137	130647143	130647263
9**	Motor 3 ~, 4P						13275R00F	13279R00J	130647601	130647610
9A**	Motor 3 ~, 4P	13258R00L	13258R00L	13258R00L	13262R00L	13262R00L				

* Recommended spares

** Motor spares: see motor lists.

SHE25-80_5_Jan00_EdB



ITT

Lowara

Production date > Jan00

SHEM 40 - SHE 40 - SHE4 40

ELP 1 ~, 2P		107410590	102203070							
ELP 3 ~, 2P	107410140	107410150	107410160	102200180	102200190	102200210	102200220	102200230	102200240	102200250
KW ->	1,1	1,5	2,2	3,0	4,0	5,5	7,5	9,2	11,0	15,0
	40-125/02A	40-125/02	40-125/03	40-160/03	40-160/05	40-200/07	40-200/11	40-250/11	40-250/15	40-250/22
ELP 3 ~, 4P	107410760	107410770	107410780	107410790	107410800	107410810	102205210	102205230	102205240	102205250
KW ->	0,25	0,25	0,37	0,37	0,55	0,75	1,1	1,1	1,5	2,2

Kit

	Dia	112 - 119	126 - 135	143	159	171	190	209	218	233	251
2*	Impeller 2P	KL04ABF	KL04ABG	KL04ABH	KL04ABK	KL04ABL	KL04ABM	KL04ABN	KL04ABP	KL04ABQ	KL04ABR
	Impeller 4P	KL04AK9	KL04AK8	KL04ABH	KL04ABK	KL04ABL	KL04ABM	KL04ABN	KL04ABP	KL04ABQ	KL04ABR

7*	Seal kit	Material-->	VBVGG	Q1Q1VGG	VBEGG	Q1Q1EGG		
			KL01AA0	KL01ACN	KL01ACS	KL01ACW	2P -> 200/75; 4P ->200/11	Seal D:22-OR 158/189/221
			KL01AA3	KL01ACP	KL01ACT	KL01ACX	2P -> 200/110; 4P ->250/15	Seal D:22-OR 247/278
			KL01ACL	KL01ACQ	KL01ACU	KL01ACY	2P - 250/150; 4P - 250/22	Seal D:28-OR 247/278
	OR FPM Kit		KL02AAP	2P -> 125/22	4P -> 125/03	D: 158		
			KL02AAQ	2P -> 160/40	4P -> 160/05	D: 189		
			KL02AAR	2P -> 200/75	4P -> 200/11	D: 221		
			KL02AAT	2P -> 250/150	4P -> 250/22	D: 278	Incl. 2 OR	
8*	OR EPR Kit		KL02AAV	2P -> 125/22	4P -> 125/03	D: 158		
			KL02AAW	2P -> 160/40	4P -> 160/05	D: 189		
			KL02AAX	2P -> 200/75	4P -> 200/11	D: 221		
			KL02AAZ	2P -> 250/150	4P -> 250/22	D: 278	Incl. 3 OR	
	Imp.lock kit D:12	KL39AAA	2P->250/110; 4P->250/15					
10	Imp.lock kit D:16	KL39AAB	2P: 250/150; 4P: 250/22					
10A	Coupling 4P D:12	KL10AAG	4P ->160/03					
14	Fill-Drain plug FPM	KL34AAB						
	Fill-Drain plug EPR	KL34AAC	All Versions					

Single Unit

1	Pump body	151380080	151380080	151380080	151380090	151380090	151380100	151380100	151380110	151380110	151380110
11	Support foot 2P	161401831	161401831	161401831	161405710	161405710	161401851	161401851	151401420	161401871	161401871
	Support foot 4P	161401831	161401831	161401831	161405710	161405710	161401851	161401851	161401871	161401871	161401871
3	Seal-housing	160102040	160102040	160102040	150102210	150102210	150102220	150102220	150102230	150102230	150102271
4	Adaptor 2P	161430100	161430100	161430100	161430110	161430160	161430170	161430170	161452440	161452440	161453110
4	Adaptor 4P	161430150	161430150	161430150	161430160	161430110	161430210	161430210	161452440	161452440	161453110
5	Wear ring	168601500	168601500	168601500	168601500	168601500	168601500	168601500	168601510	168601510	168601510
6	Back wear ring				465020201	465020201	465020201	465020201	465020201	465020201	465020201
9**	Motor 1 ~, 2P	13278H00F	13282H00F	130647082							
	Motor 3 ~,2P	13274R00F	13278R00F	13282R00F	130647063	130647105	130647137	130647143	130647253	130647263	130647304
	Motor 3 ~, 4P					13275R00F	13279R00J	130647601	130647601	130647610	130647661
9A**	Motor 3 ~, 4P	13258R00L	13258R00L	13262R00L	13262R00L						

* Recommended spares

** Motor spares: see motor lists.

SHE25-80_5_Jan00_EdB



ITT

Lowara

Production date > Jan00

SHE 50 - SHE 50

	50-125/22	50-125/30	50-125/40	50-160/55	50-160/75	50-200/92	50-200/110	50-250/150	50-250/185	50-250/220
ELP 3 ~, 2P	107410280	102200290	102200300	102200310	102200320	102200330	102200340	102200350	102200360	102200370
KW->	2,2	3,0	4,0	5,5	7,5	9,2	11,0	15,0	18,5	22,0
ELP3~, 4P	107410830	107410840	107410850	107410860	102205320	102205330	102205340	102205350	102205360	102205370
KW->	0,37	0,37	0,55	0,75	1,1	1,1	1,5	2,2	2,2	3,0

Kit

	Dia	119	130	139	158	174	197	209	224	237	250
2*	Impeller 2P	KL04ABS	KL04ABT	KL04ABU	KL04ABV	KL04ABW	KL04ABX	KL04ABY	KL04ABZ	KL04AB0	KL04AB1
2*	Impeller 4P	KL04ABS	KL04ABT	KL04ABU	KL04ABV	KL04ABW	KL04ABX	KL04ABY	KL04ABZ	KL04AB0	KL04AB1

	Material-->	VBVGG	Q1Q1VGG	VBEGG	Q1Q1EGG					
7*	Seal kit	KL01AA0	KL01ACN	KL01ACS	KL01ACW	2P -> 160/75; 4P -> 160/11 2P -> 200/110; 4P -> 200/15 2P -> 250/220; 4P -> 250/30	Seal D:22-OR 158/189/221 Seal D:22-OR 247/278 Seal D:28-OR 247/278			
		KL01AA3	KL01ACP	KL01ACT	KL01ACX					
		KL01ACL	KL01ACQ	KL01ACU	KL01ACY					
8*	OR FPM Kit	KL02AAQ	2P -> 160/75		4P -> 160/11	D: 189				
		KL02AAS	2P -> 200/110		4P -> 200/15	D: 247				
		KL02AAT	2P -> 250/220		4P -> 250/30	D: 278 Incl. 2 OR				
	OR EPR Kit	KL02AAW	2P -> 160/75		4P -> 160/11	D: 189				
		KL02AAY	2P -> 200/110		4P -> 200/15	D: 247				
		KL02AAZ	2P -> 250/220		4P -> 250/30	D: 278 Incl. 3 OR				
10	Imp.lock kit M12	KL39AAA	2P->200/110; 4P->200/15							
10	Imp.lock kit M16	KL39AAB	2P->250/220; 4P->250/30							
10A	Coupling 4P D:18	KL10AAG	4P-> 125/03							
14	Fill-Drain plug FPM	KL34AAB								
	Fill-Drain plug EPR	KL34AAC	All Versions							

Single Unit

1	Pump body	151380120	151380120	151380120	151380130	151380130	151380140	151380140	151380150	151380150	151380150
11	Support foot 2P	161405710	161405710	161405710	161401841	161401841	161401891	161401891	On Motor	On Motor	On Motor
	Support foot 4P	161405710	161405710	161405710	161401841	161401841	161401891	161401891	161401871	161401871	161401871
3	Seal housing	150102280	150102280	150102280	150102280	150102280	150102300	150102300	150102271	150102271	150102271
4	Adaptor 2P	161430110	161430110	161430160	161430160	161430160	161452430	161452430	161453110	161453110	161453110
	Adaptor 4P	161430160	161430160	161430110	161430200	161430200	161452430	161452430	161453110	161453110	161453110
5	Wear ring	168601510	168601510	168601510	168601510	168601510	168601510	168601510	168601510	168601510	168601510
6	Back wear ring	465020201	465020201	465020201	465020201	465020201	465020201	465020201	465020201	465020201	465020201
9**	Motor 3 ~, 2P	13282R00F	130647063	130647105	130647137	130647143	130647253	130647263	130647304	130647314	130647324
	Motor 3 ~, 4P			13275R00F	13279R00J	130647601	130647601	130647610	130647661	130647661	130647671
9A**	Motor 3 ~, 4P	13262R00L	13262R00L								

* Recommended spares

** Motor spares: see motor lists.

SHE25-80_5_Jan00_EdB



ITT

Lowara

Production date > Jan00

SHE 65 - SHE4 65

ELP. 3~, 2P	65-160/40	65-160/55	65-160/75	65-160/92	65-160/110	65-200/150	65-200/185	65-200/220		
	102200410	102200420	102200430	102200450	102200460	102200490	102200500	102200510		
KW ->	4,0	5,5	7,5	9,2	11,0	15,0	18,5	22,0		
ELP. 3~, 4P	65-160/05	65-160/07	65-160/11A	65-160/11	65-160/15	65-200/15	65-200/22	65-200/30	65-250/40	65-250/55
	107410880	107410890	102205420	102205430	102205460	102205480	102205490	102205500	102225520	102225530
KW ->	0,55	0,75	1,1	1,1	1,5	1,5	2,2	3,0	4,0	5,5

Kit

	Dia	119	129	137 - 140	161	168	187 - 180	198	210	241	258
	Impeller 2P	KL04AEC	KL04AB3	KL04AEE	KL04AEF	KL04AEG	KL04AEH	KL04AEK	KL04AEL		
2*	Impeller 4P	KL04AEC	KL04AB3	KL04AB4	KL04AEF	KL04AEG	KL04ALF	KL04AEK	KL04AEL	KL04ALH	KL04ALK

7*	Material-->	VBVGG	Q1Q1VGG	VBEGG	Q1Q1EGG				
	Seal kit	KL01AA3	KL01ACP	KL01ACT	KL01ACX	2P->160/92, 4P->160/11		Seal D:22-OR 247/278	
		KL01ACL	KL01ACQ	KL01ACU	KL01ACY	2P->200/220, 4P->250/40		Seal D:28-OR 247/278	
		KL01ACM	KL01ACR	KL01ACV	KL01ACZ	4P - 250/55		Seal D:33-OR 278/304	
8*	OR FPM Kit	KL02AAT	2P -> 200/220		4P -> 200/30		D: 278		
		KL02AAU			4P -> 250/55		D: 304		Incl. 2 OR
		KL02AAZ	2P -> 200/220		4P -> 200/30		D: 278		
	OR EPR Kit	KL02AA0			4P -> 250/55		D: 304		Incl. 3 OR
10	Imp.lock kit M12	KL39AAA	2P ->160/92; 4P->160/11						
	Imp.lock kit M16	KL39AAB	2P ->200/220; 4P->200/30						
	Imp.lock kit M20	KL39AAC	4P->200/55						
14	Fill-Drain plug FPM	KL34AAB	->65/160						
	Fill-Drain plug EPR	KL34AAC	->65/160						
	Fill-Drain plug FPM	KL34AAD	->65/250						
	Fill-Drain plug EPR	KL34AAE	->65/250						

Single Unit 2P

1	Pump body 2P	151380160	151380160	151380160	151380170	151380170	151380180	151380180	151380180
11	Support foot 2P	161401891	161401891	161401891	161401891	161401891	On Motor	On Motor	On Motor
3	Seal-housing	160102120	160102120	160102120	160102120	150102331	150102331	150102331	150102331
4	Adaptor	161453180	161453180	161453180	161452430	161452430	161453160	161453160	161453160
5	Wear ring	168601520	168601520	168601520	168601600	168601600	168601600	168601600	168601600
6	Back wear ring				168601280	168601280	168601280	168601280	168601280
9**	Motor 3 ~, 2 P	130647105	130647137	130647143	130647253	130647264	130647304	130647314	130647324

Single Unit 4P

1	Pump body	151380160	151380160	151380160	151380170	151380170	151380180	151380180	151380180	151380190	151380190
11	Support foot	161401891	161401891	161401891	161401891	161401891	161405810	161405810	161405810	161405730	161405730
3	Seal-housing	160102120	160102120	160102120	160102120	150102331	150102331	150102331	150102331	150102351	150102352
4	Adaptor	161452430	161452430	161452430	161452430	161452430	161452430	161453160	161453160	161452920	161452910
5	Wear ring	168601520	168601520	168601520	168601600	168601600	168601600	168601600	168601600	168601600	168601600
6	Back wear ring					168601280	168601280	168601280	168601280	168601280	168601280
9**	Motor 3 ~, 4P	13275R00F	13279R00J	130647601	130647601	130647611	130647611	130647661	130647671	130647701	130647773

On motor means "On motor only"

* Recommended spares

** Motor spares: see motor lists.

SHE25-80_5_Jan00_EdB



ITT

Lowara

Production date > Jan00

SHE 80 - SHE4 80

ELP 3 ~, 2P KW ->	80-160/110	80-160/150	80-160/185	80-200/220				
	102200570	102200580	102200590	102200610				
	11,0	15,0	18,5	22,0				
ELP 3 ~, 4P KW ->	80-160/15	80-160/22A	80-160/22	80-200/30	80-200/40	80-250/55	80-250/75	80-250/92
	102205560	102205570	102205580	102205590	102205600	102205630	102205640	102205650
	1,5	2,2	2,2	3,0	4,0	5,5	7,5	9,2

Kit

	Dia	169	177	186	198	220	237	252	270
2*	Impeller, 2P	KL04ALL	KL04ALM	KL04ALN	KL04ALP				
	Impeller, 4P	KL04ALL	KL04ALM	KL04ALN	KL04ALP	KL04ALQ	KL04ALR	KL04ALS	KL04ALT

7*	Material-->	VBVGG	Q1Q1VGG	VBEGG	Q1Q1EGG	2P->200/220, 4P->200/40 4P - 250/92	Seal D:28-OR 247/278 Seal D:33-OR 278/304
		KL01ACL	KL01ACQ	KL01ACU	KL01ACY		
		KL01ACM	KL01ACR	KL01ACV	KL01ACZ		
8*	OR FPM Kit	KL02AAT	2P -> 200/220	4P -> 200/40	4P -> 250/92	D: 278 D: 304 D: 278 D: 304	Incl. 2 OR
		KL02AAU					
	OR EPR Kit	KL02AAZ	2P -> 200/220	4P -> 200/40	4P -> 250/92		Incl. 3 OR
		KL02AA0					
10	Imp.lock kit M16	KL39AAB	2P, All; 4P->200/40				
	Imp.lock kit M20	KL39AAC	4P->250/92				
	Fill-Drain plug FPM	KL34AAD	All Versions (->65/250)				
14	Fill-Drain plug EPR	KL34AAE	All Versions (->65/250)				

Single Unit, 2P

1	Pump body	151380210	151380210	151380210	151380220
11	Support foot	161401871	On Motor	On Motor	On Motor
3	Seal-housing	150102371	150102371	150102371	150102371
4	Adaptor	161452910	161452920	161452920	161452920
5	Wear ring	168601610	168601610	168601610	168601610
6	Back wear ring	168601280	168601280	168601280	168601280
9**	Motor 3 ~, 2P	130647264	130647304	130647314	130647324

Single Unit, 4P

1	Pump body	151380210	151380210	151380210	151380220	151380220	151380230	151380230	151380230
11	Support foot	161401871	161401871	161401871	161401871	161401871	161401971	161401971	161401971
3	Seal-housing	150102371	150102371	150102371	150102371	150102371	150102392	150102392	150102392
4	Adaptor	161452910	161452920	161452920	161452920	161452920	161452480	161452480	161452480
5	Wear ring	168601610	168601610	168601610	168601610	168601610	168601610	168601610	168601610
6	Back wear ring	168601280	168601280	168601280	168601280	168601280	168601280	168601280	168601280
9**	Motor 3 ~, 4P	130647611	130647661	130647661	130647671	130647701	130647773	130647793	130647803

On Motor means " On Motor only "

* Recommended spares

** Motor spares: see motor lists.

SHE25-80_5_Jan00_EdB



Lowara