



SCHEDE TECNICHE
Technical data sheet



VASI DI ESPANSIONE
EXPANSION TANKS



Solarvarem

LINE

APPLICAZIONI SPECIALI - IMPIANTI SOLARI/GASOLIO
SPECIAL APPLICATIONS - SOLAR ENERGY SYSTEMS/FOR GAS OIL



SCHEDA TECNICA - *Technical data sheet*

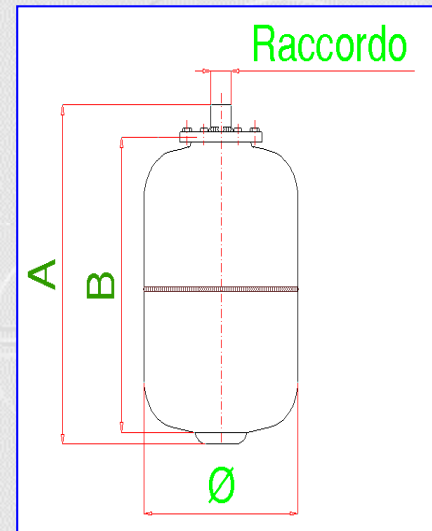
Modello-Model: **SOLARVAREM**

Codice-Code: **R8 005 286**

| Capacità <i>Capacity</i> | Codice <i>Code</i> | Press. <i>Max bar</i> | Raccordo <i>Connector</i> | Dimensioni <i>Dimensions</i> | | | | | | Peso <i>Weight</i> Kg. | Imballo <i>Packaged</i> Volume m3 |
|-----------------------------|-----------------------|--------------------------|------------------------------|------------------------------|-----|-----|---|---|---|------------------------------|---|
| | | | | ∅ | A | B | C | D | E | | |
| 5 L | R8 005 286 | 8.0 bar | 3/4" gas | 160 | 320 | 275 | - | - | - | 0,1 | 0,01 |

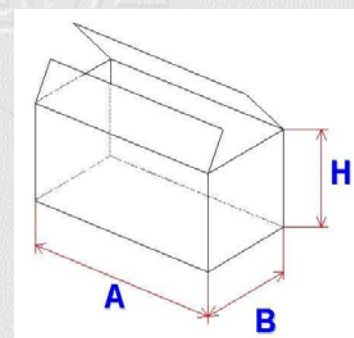
Parti di ricambio - *Spare parts*

| | | |
|--|-----------------------|---|
| Controflangia Coverflange | |  |
| Codice-Code: | V52008 | |
| Materiale-Material: | INOX AISI 304 | |
| Trattamento-Treatment: | | |
| Membrana Membrane | |  |
| Codice-Code: | V46008 | |
| Materiale-Material: | NITRILE/Nitril | |
| Trattamento-Treatment: | | |
| Controfl. Superiore Top flange | | |
| Codice-Code: | | |
| Materiale-Material: | | |
| Trattamento-Treatment: | | |
| Dado Nut | | |
| Codice-Code: | | |
| Materiale-Material: | | |
| Trattamento-Treatment: | | |
| Valvola Precarica Precharge valve | |  |
| Codice-Code: | V50800 | |
| Materiale-Material: | Ottone - Brass | |
| Trattamento-Treatment: | | |



Dimensioni Scatola -
Dimensions box:

A=340 B=180 H=170





SCHEDA TECNICA - *Technical data sheet*




Modello-Model: **SOLARVAREM**

Codice-Code: **R8 008 286**

| Capacità <i>Capacity</i> | Codice <i>Code</i> | Press. <i>Max bar</i> | Raccordo <i>Connector</i> | Dimensioni <i>Dimensions</i> | | | | | | Peso <i>Weight</i> Kg. | Imballo <i>Packaged</i> Volume m3 |
|-----------------------------|-----------------------|--------------------------|------------------------------|------------------------------|-----|-----|---|---|---|------------------------------|--|
| | | | | Ø | A | B | C | D | E | | |
| 8 L | R8 008 286 | 8.0 bar | 3/4" gas | 200 | 335 | 390 | - | - | - | 2:05 | 0.016 |


Parti di ricambio - Spare parts

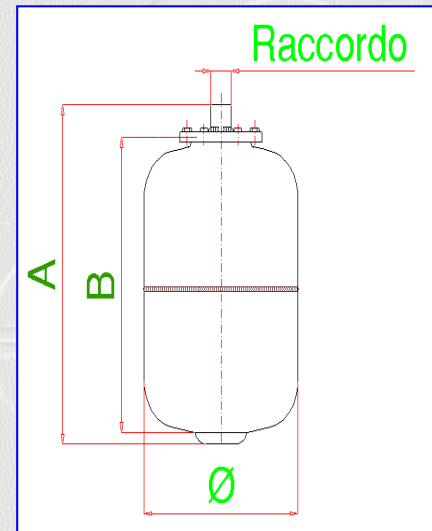
| Controflangia <i>Coverflange</i> | | |
|-------------------------------------|----------------------|---|
| Codice-Code: | V52008 |  |
| Materiale-Material: | INOX AISI 304 | |
| Trattamento-Treatment: | | |

| Membrana <i>Membrane</i> | | |
|-----------------------------|-------------------------|---|
| Codice-Code: | V46008 |  |
| Materiale-Material: | NITRILE / Nitril | |
| Trattamento-Treatment: | | |

| Controfl. Superiore <i>Top flange</i> | | |
|--|--|--|
| Codice-Code: | | |
| Materiale-Material: | | |
| Trattamento-Treatment: | | |

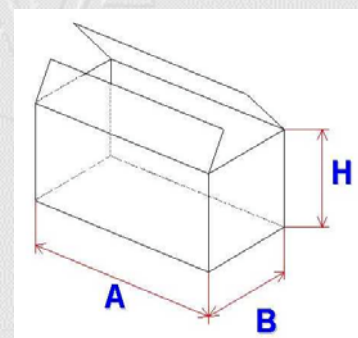
| Dado <i>Nut</i> | | |
|------------------------|--|--|
| Codice-Code: | | |
| Materiale-Material: | | |
| Trattamento-Treatment: | | |

| Valvola Precarica <i>Precharge valve</i> | | |
|---|-----------------------|---|
| Codice-Code: | V50800 |  |
| Materiale-Material: | Ottone - Brass | |
| Trattamento-Treatment: | | |



Dimensioni Scatola -
Dimensions box:

A=340 B=180 H=170





SCHEDA TECNICA - *Technical data sheet*



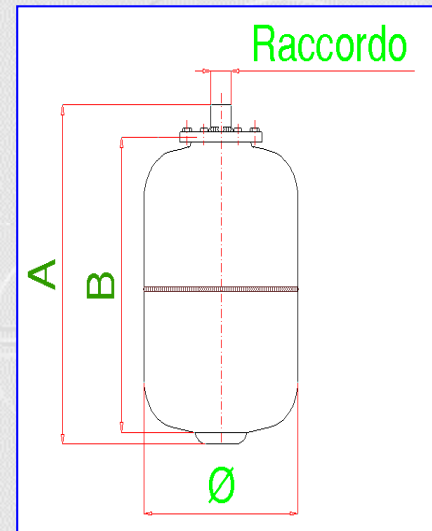
Modello-Model: **SOLARVAREM**

Codice-Code: **R8 012 286**

| Capacità <i>Capacity</i> | Codice <i>Code</i> | Press. Max bar | Raccordo <i>Connector</i> | Dimensioni <i>Dimensions</i> | | | | | | Peso Weight Kg. | Imballo Packaged Volume m3 |
|-----------------------------|-----------------------|-------------------|------------------------------|------------------------------|-----|-----|---|---|---|-----------------------|-------------------------------------|
| | | | | ∅ | A | B | C | D | E | | |
| 12 L | R8 012 286 | 8.0 bar | 3/4" gas | 270 | 315 | 270 | - | - | - | 4,00 | 0.027 |

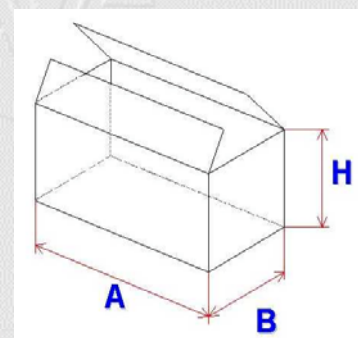
Parti di ricambio - *Spare parts*

| | | |
|--|-------------------------|---|
| Controflangia Coverflange | |  |
| Codice-Code: | V52008 | |
| Materiale-Material: | INOX AISI 304 | |
| Trattamento-Treatment: | | |
| Membrana Membrane | |  |
| Codice-Code: | V46012 | |
| Materiale-Material: | NITRILE / Nitril | |
| Trattamento-Treatment: | | |
| Controfl. Superiore Top flange | | |
| Codice-Code: | | |
| Materiale-Material: | | |
| Trattamento-Treatment: | | |
| Dado Nut | | |
| Codice-Code: | | |
| Materiale-Material: | | |
| Trattamento-Treatment: | | |
| Valvola Precarica Precharge valve | |  |
| Codice-Code: | V50800 | |
| Materiale-Material: | Ottone - Brass | |
| Trattamento-Treatment: | | |



Dimensioni Scatola -
Dimensions box:

A=280 B=280 H=320





SCHEDA TECNICA - *Technical data sheet*




Modello-Model: **SOLARVAREM**

Codice-Code: **R8 019 286**

| Capacità <i>Capacity</i> | Codice <i>Code</i> | Press. Max bar | Raccordo <i>Connector</i> | Dimensioni <i>Dimensions</i> | | | | | | Peso Weight Kg. | Imballo Packaged Volume m3 |
|-----------------------------|-----------------------|-------------------|------------------------------|------------------------------|-----|-----|---|---|---|-----------------------|-------------------------------------|
| | | | | ∅ | A | B | C | D | E | | |
| 19 L | R8 019 286 | 8.0 bar | 3/4" gas | 270 | 410 | 360 | - | - | - | 5,00 | 0.033 |


Parti di ricambio - *Spare parts*

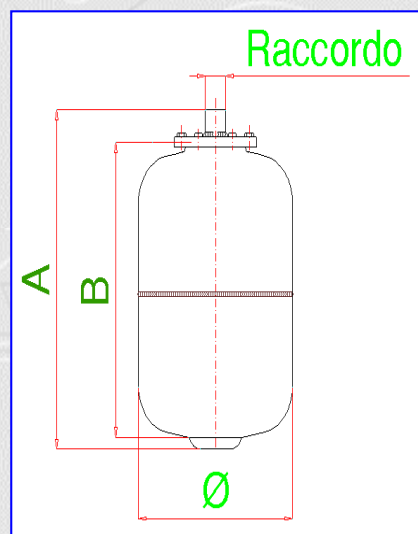
| Controflangia <i>Coverflange</i> | | |
|-------------------------------------|----------------------|---|
| Codice-Code: | V52024 |  |
| Materiale-Material: | INOX AISI 304 | |
| Trattamento-Treatment: | | |

| Membrana <i>Membrane</i> | | |
|-----------------------------|-------------------------|---|
| Codice-Code: | V46019 |  |
| Materiale-Material: | NITRILE / Nitril | |
| Trattamento-Treatment: | | |

| Controfl. Superiore <i>Top flange</i> | | |
|--|--|--|
| Codice-Code: | | |
| Materiale-Material: | | |
| Trattamento-Treatment: | | |

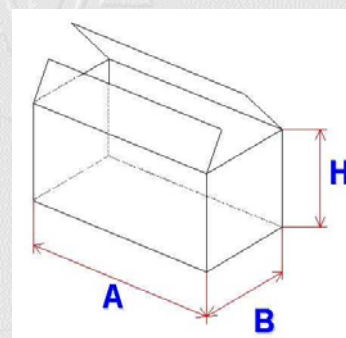
| Dado <i>Nut</i> | | |
|------------------------|--|--|
| Codice-Code: | | |
| Materiale-Material: | | |
| Trattamento-Treatment: | | |

| Valvola Precarica <i>Precharge valve</i> | | |
|---|-----------------------|---|
| Codice-Code: | V50800 |  |
| Materiale-Material: | Ottone - Brass | |
| Trattamento-Treatment: | | |



Dimensioni Scatola -
Dimensions box:

A=395 B=285 H=280





SCHEDA TECNICA - *Technical data sheet*



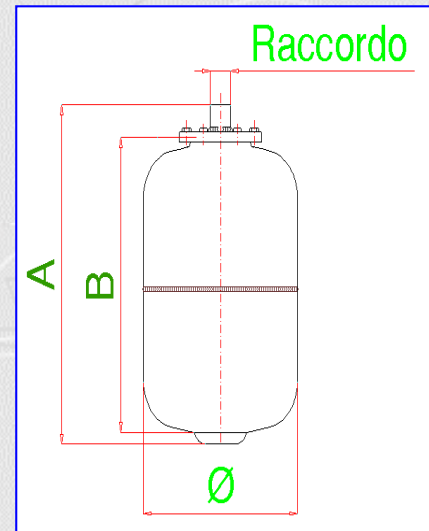
Modello-Model: **SOLARVAREM**

Codice-Code: **R8 025 286**

| Capacità <i>Capacity</i> | Codice <i>Code</i> | Press. <i>Max bar</i> | Raccordo <i>Connector</i> | Dimensioni <i>Dimensions</i> | | | | | | Peso <i>Weight</i> Kg. | Imballo <i>Packaged</i> Volume m3 |
|-----------------------------|-----------------------|--------------------------|------------------------------|------------------------------|-----|-----|---|---|---|------------------------------|--|
| | | | | ∅ | A | B | C | D | E | | |
| 25 L | R8 025 286 | 8.0 bar | 3/4" gas | 250 | 450 | 410 | - | - | - | 5,00 | 0:05 |

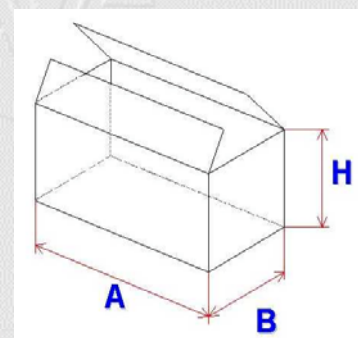
Parti di ricambio - *Spare parts*

| | | |
|--|-------------------------|---|
| Controflangia Coverflange | |  |
| Codice-Code: | V52024 | |
| Materiale-Material: | INOX AISI 304 | |
| Trattamento-Treatment: | | |
| Membrana Membrane | |  |
| Codice-Code: | V43035 | |
| Materiale-Material: | NITRILE / Nitril | |
| Trattamento-Treatment: | | |
| Controfl. Superiore Top flange | | |
| Codice-Code: | | |
| Materiale-Material: | | |
| Trattamento-Treatment: | | |
| Dado Nut | | |
| Codice-Code: | | |
| Materiale-Material: | | |
| Trattamento-Treatment: | | |
| Valvola Precarica Precharge valve | |  |
| Codice-Code: | V50800 | |
| Materiale-Material: | Ottone - Brass | |
| Trattamento-Treatment: | | |



Dimensioni Scatola -
Dimensions box:

A=460 B=300 H=300





SCHEDA TECNICA - *Technical data sheet*



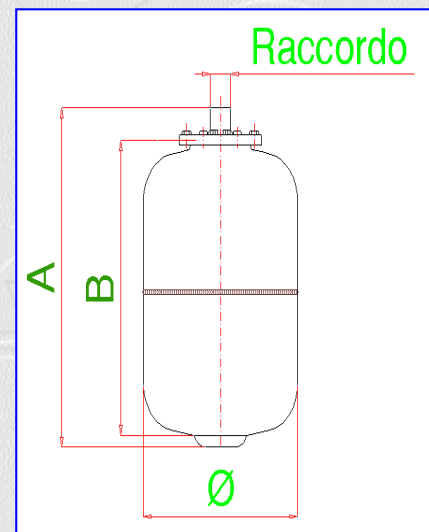
Modello-Model: **SOLARVAREM**

Codice-Code: **R8 040 286**

| Capacità Capacity | Codice Code | Press. Max bar | Raccordo Connector | Dimensioni Dimensions | | | | | | Peso Weight Kg. | Imballo Packaged Volume m3 |
|----------------------|-------------------|-------------------|-----------------------|--------------------------|-----|-----|---|---|---|-----------------------|-------------------------------------|
| | | | | ∅ | A | B | C | D | E | | |
| 40 L | R8 040 286 | 8.0 bar | 3/4" gas | 320 | 582 | 540 | - | - | - | 8,00 | 0:08 |

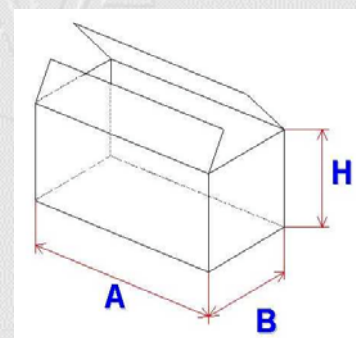
Parti di ricambio - *Spare parts*

| | | |
|--|-------------------------|---|
| Controflangia Coverflange | |  |
| Codice-Code: | V52024 | |
| Materiale-Material: | INOX AISI 304 | |
| Trattamento-Treatment: | | |
| Membrana Membrane | |  |
| Codice-Code: | V46035 | |
| Materiale-Material: | NITRILE / Nitril | |
| Trattamento-Treatment: | | |
| Controfl. Superiore Top flange | | |
| Codice-Code: | | |
| Materiale-Material: | | |
| Trattamento-Treatment: | | |
| Dado Nut | | |
| Codice-Code: | | |
| Materiale-Material: | | |
| Trattamento-Treatment: | | |
| Valvola Precarica Precharge valve | |  |
| Codice-Code: | V50800 | |
| Materiale-Material: | Ottone - Brass | |
| Trattamento-Treatment: | | |



Dimensioni Scatola -
Dimensions box:

A=590 B=335 H=355





SCHEDA TECNICA - *Technical data sheet*



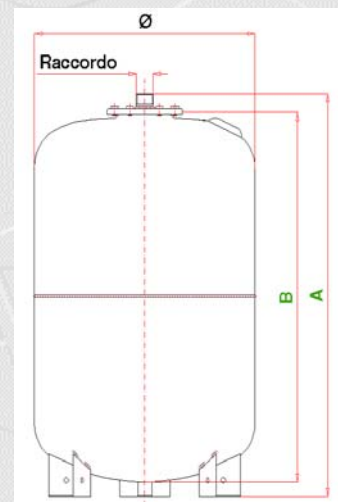
Modello-Model: **SOLARVAREM**

Codice-Code: **R8 060 286**

| Capacità <i>Capacity</i> | Codice <i>Code</i> | Press. Max bar | Raccordo <i>Connector</i> | Dimensioni <i>Dimensions</i> | | | | | | Peso <i>Weight</i> Kg. | Imballo <i>Packaged</i> Volume m3 |
|-----------------------------|-----------------------|-------------------|------------------------------|------------------------------|-----|-----|---|---|---|------------------------------|--|
| | | | | ∅ | A | B | C | D | E | | |
| 60 L | R8 060 286 | 6.0 bar | 3/4" gas | 380 | 693 | 636 | - | - | - | 13,5 | 0,12 |

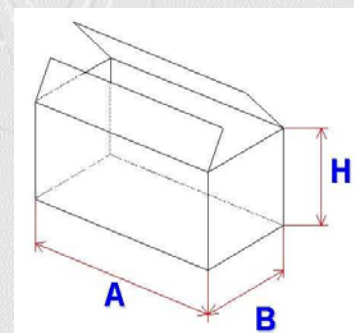
Parti di ricambio - Spare parts

| | | |
|--|-------------------------|---|
| Controflangia Coverflange | |  |
| Codice-Code: | V52024 | |
| Materiale-Material: | INOX AISI 304 | |
| Trattamento-Treatment: | | |
| Membrana Membrane | |  |
| Codice-Code: | V46060 | |
| Materiale-Material: | NITRILE / Nitril | |
| Trattamento-Treatment: | | |
| Controfl. Superiore Top flange | | |
| Codice-Code: | | |
| Materiale-Material: | | |
| Trattamento-Treatment: | | |
| Dado Nut | | |
| Codice-Code: | | |
| Materiale-Material: | | |
| Trattamento-Treatment: | | |
| Valvola Precarica Precharge valve | |  |
| Codice-Code: | V50800 | |
| Materiale-Material: | Ottone - Brass | |
| Trattamento-Treatment: | | |



Dimensioni Scatola -
Dimensions box:

A=710 B=390 H=385





SCHEDA TECNICA - *Technical data sheet*






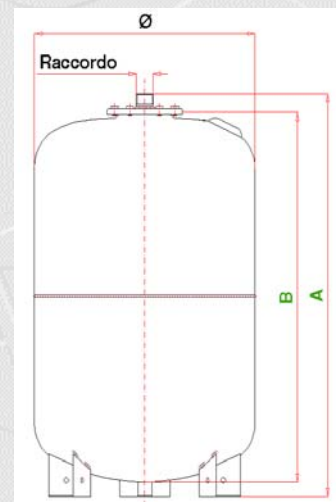
Modello-Model: **SOLARVAREM**

Codice-Code: **R8 080 286**

| Capacità <i>Capacity</i> | Codice <i>Code</i> | Press. <i>Max bar</i> | Raccordo <i>Connector</i> | Dimensioni <i>Dimensions</i> | | | | | | Peso <i>Weight</i> Kg. | Imballo <i>Packaged</i> Volume m3 |
|-----------------------------|-----------------------|--------------------------|------------------------------|------------------------------|-----|-----|---|---|---|------------------------------|--|
| | | | | Ø | A | B | C | D | E | | |
| 80 L | R8 080 286 | 6.0 bar | 3/4" gas | 450 | 680 | 623 | - | - | - | 20,0 | 0,15 |

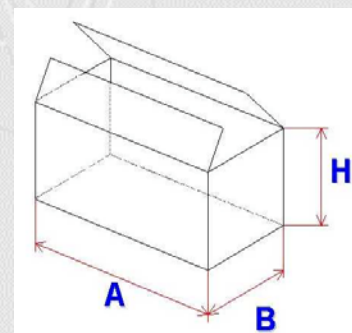
Parti di ricambio - Spare parts

| | | |
|--|-------------------------|---|
| Controflangia Coverflange | |  |
| Codice-Code: | V52024 | |
| Materiale-Material: | INOX AISI 304 | |
| Trattamento-Treatment: | | |
| Membrana Membrane | |  |
| Codice-Code: | V46080 | |
| Materiale-Material: | NITRILE / Nitril | |
| Trattamento-Treatment: | | |
| Controfl. Superiore Top flange | | |
| Codice-Code: | | |
| Materiale-Material: | | |
| Trattamento-Treatment: | | |
| Dado Nut | | |
| Codice-Code: | | |
| Materiale-Material: | | |
| Trattamento-Treatment: | | |
| Valvola Precarica Precharge valve | |  |
| Codice-Code: | V50800 | |
| Materiale-Material: | Ottone - Brass | |
| Trattamento-Treatment: | | |



Dimensioni Scatola -
Dimensions box:

A=700 B=470 H=480





SCHEDA TECNICA - *Technical data sheet*






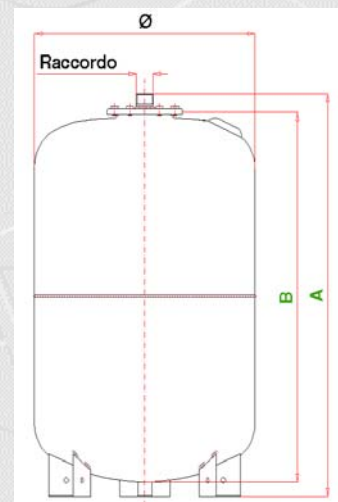
Modello-Model: **SOLARVAREM**

Codice-Code: **R8 100 386**

| Capacità <i>Capacity</i> | Codice <i>Code</i> | Press. Max bar | Raccordo <i>Connector</i> | Dimensioni <i>Dimensions</i> | | | | | | Peso <i>Weight</i> Kg. | Imballo <i>Packaged</i> Volume m3 |
|-----------------------------|-----------------------|-------------------|------------------------------|------------------------------|-----|-----|---|---|---|------------------------------|--|
| | | | | ∅ | A | B | C | D | E | | |
| 100 L | R8 100 386 | 6.0 bar | 1" gas | 450 | 760 | 670 | - | - | - | 26,0 | 0,17 |

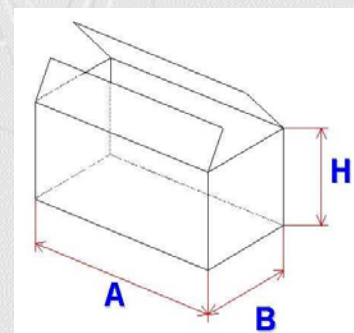
Parti di ricambio - Spare parts

| | | |
|--|-------------------------|---|
| Controflangia Coverflange | |  |
| Codice-Code: | V52025 | |
| Materiale-Material: | INOX AISI 304 | |
| Trattamento-Treatment: | | |
| Membrana Membrane | |  |
| Codice-Code: | V46100 | |
| Materiale-Material: | NITRILE / Nitril | |
| Trattamento-Treatment: | | |
| Controfl. Superiore Top flange | | |
| Codice-Code: | | |
| Materiale-Material: | | |
| Trattamento-Treatment: | | |
| Dado Nut | | |
| Codice-Code: | | |
| Materiale-Material: | | |
| Trattamento-Treatment: | | |
| Valvola Precarica Precharge valve | |  |
| Codice-Code: | V50800 | |
| Materiale-Material: | Ottone - Brass | |
| Trattamento-Treatment: | | |



Dimensioni Scatola -
Dimensions box:

A=810 B=460 H=460





SCHEDA TECNICA - *Technical data sheet*



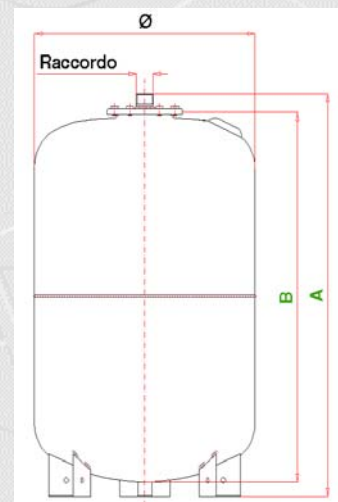
Modello-Model: **SOLARVAREM**

Codice-Code: **R8 200 486**

| Capacità <i>Capacity</i> | Codice <i>Code</i> | Press. Max bar | Raccordo <i>Connector</i> | Dimensioni <i>Dimensions</i> | | | | | | Peso <i>Weight</i> Kg. | Imballo <i>Packaged</i> Volume m3 |
|-----------------------------|-----------------------|-------------------|------------------------------|------------------------------|------|-----|---|---|---|------------------------------|--|
| | | | | ∅ | A | B | C | D | E | | |
| 200 L | R8 200 486 | 6.0 bar | 1"1/2 gas | 550 | 1080 | 985 | - | - | - | 40,0 | 0,34 |

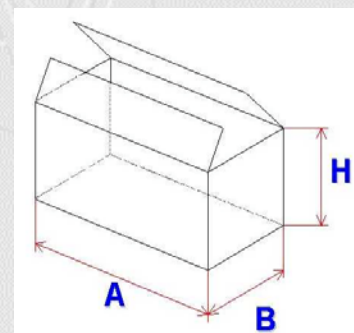
Parti di ricambio - Spare parts

| | | |
|--|-------------------------|---|
| Controflangia Coverflange | |  |
| Codice-Code: | V52300 | |
| Materiale-Material: | INOX AISI 304 | |
| Trattamento-Treatment: | | |
| Membrana Membrane | |  |
| Codice-Code: | V46200 | |
| Materiale-Material: | NITRILE / Nitril | |
| Trattamento-Treatment: | | |
| Controfl. Superiore Top flange | | |
| Codice-Code: | | |
| Materiale-Material: | | |
| Trattamento-Treatment: | | |
| Dado Nut | | |
| Codice-Code: | | |
| Materiale-Material: | | |
| Trattamento-Treatment: | | |
| Valvola Precarica Precharge valve | |  |
| Codice-Code: | V50800 | |
| Materiale-Material: | Ottone - Brass | |
| Trattamento-Treatment: | | |



Dimensioni Scatola -
Dimensions box:

A=1100 B=560 H=560





SCHEDA TECNICA - *Technical data sheet*



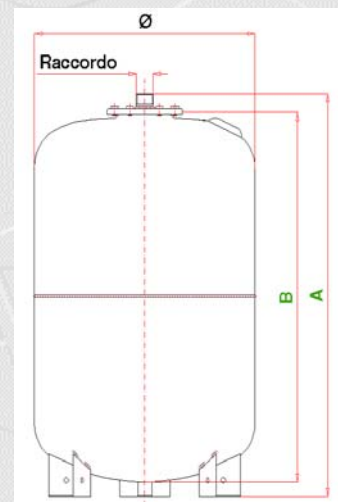
Modello-Model: **SOLARVAREM**

Codice-Code: **R8 300 486**

| Capacità <i>Capacity</i> | Codice <i>Code</i> | Press. <i>Max bar</i> | Raccordo <i>Connector</i> | Dimensioni <i>Dimensions</i> | | | | | | Peso <i>Weight</i> Kg. | Imballo <i>Packaged</i> Volume m3 |
|-----------------------------|-----------------------|--------------------------|------------------------------|------------------------------|------|------|---|---|---|------------------------------|--|
| | | | | ∅ | A | B | C | D | E | | |
| 300 L | R8 300 486 | 6.0 bar | 1"1/2 gas | 630 | 1180 | 1090 | - | - | - | 64,0 | 0,53 |

Parti di ricambio - Spare parts

| | | |
|--|-------------------------|---|
| Controflangia Coverflange | |  |
| Codice-Code: | V52300 | |
| Materiale-Material: | INOX AISI 304 | |
| Trattamento-Treatment: | | |
| Membrana Membrane | |  |
| Codice-Code: | V46300 | |
| Materiale-Material: | NITRILE / Nitril | |
| Trattamento-Treatment: | | |
| Controfl. Superiore Top flange | | |
| Codice-Code: | | |
| Materiale-Material: | | |
| Trattamento-Treatment: | | |
| Dado Nut | | |
| Codice-Code: | | |
| Materiale-Material: | | |
| Trattamento-Treatment: | | |
| Valvola Precarica Precharge valve | |  |
| Codice-Code: | V50800 | |
| Materiale-Material: | Ottone - Brass | |
| Trattamento-Treatment: | | |



Dimensioni Scatola -
Dimensions box:

A=1280 B=600 H=690

